

2.2Mega pixel HD-SDI Varifocal IR Bullet camera

SPECIFICATIONS

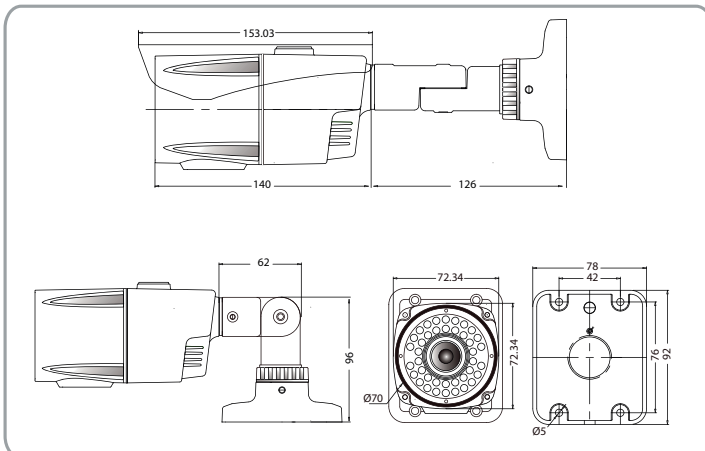
MODEL	VSC-2039R-HD
Image Sensor	1/3" Panasonic CMOS
Total pixels	2010(H) x 1108(V) = 2,227,080
Active pixels	1944(H) x 1092(V) = 2,122,848
Scanning system	Progressive
Resolution	Digital : 1080P(30P) , 720P(60P) / Analog : 750TV lines
Min. illumination	Color : 1.0Lux, BW : 0.5Lux, Color DSS : 0.002Lux , BW DSS : 0.0008Lux
Video output	Digital : BT.1120, HD-SDI / Analog : 1.0Vp-p(75 ohm, composite)
S/N ratio	More than 50dB(AGC off)
Gain Control	0~20
Shutter Speed	1/30 ~ 1/30,000 / 1/25 ~ 1/30,000
Digital Shutter Speed	Off / x2 / x3 / x4
Brightness	0~20steps
WDR/BLC	Off / WDR / BLC
Day&Night	Auto / Ext / Day / Night
DNR	Off / LOW / MIDDLE / HIGH
Mirror	Off / H / V / H+V
Sharpness	Off / On
E.Zoom	0~x32
Privacy Mask	Off / 28positions
Motion Detection	Off / 8positions
Comm.	Baud rate : 2400 / 4800 / 9600 / 19200 / 38400 / 57600
IR LED	40 Units 850nm Infrared LED, 20,000hrs
Night View Distance	Indoor 60m / Outdoor 50m
Lens	2.8~10mm Megapixel Varifocal lens
Power Source	DC 12V / AC 24V ± 10%
Power consumption	DC 12V 600mA / AC 24V 260mA
Power Input	Connector
Video Output	Connector
Cable	5C-2V (Max. Distance 120m)
Dimension(mm)	72.34(W) x 72.34(H) x 140(L)
Weight	approx 1.14Kg (Full package)

FEATURES

- 2.2M 1080P Full HD with Panasonic CMOS
- Progressive Scanning System
- Resolution : Max. 1,100 TV Lines
- BT 1120 digital Output
- Day & Night (ICR)
- Wide Dynamic Range
- Digital Noise Reduction
- Privacy Mask Function
- On Screen Display
- RS485
- Multi protocol support
- Intelligent motion detection
- Intelligent object detection
- External Control : Focus/Zoom(Gear type), OSD Control(Joystick)
- Built-in IR LED 40pcs
(Night View Distance : Indoor 60m / Outdoor 50m)

DIMENSIONS

Unit : mm



Design and specifications are subject to change without notice