

600TV Lines DNR Plastic-Dome Fixed Lens IR Camera



SPECIFICATIONS

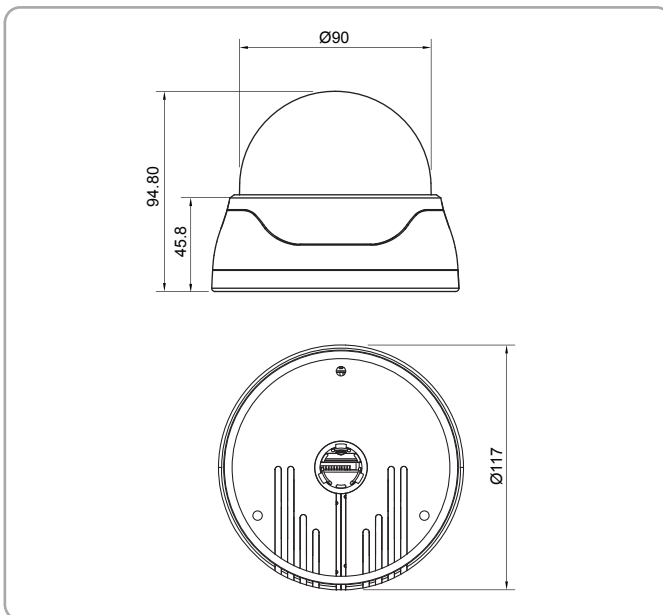
MODEL	VCD-328IR (N)	VCD-328IR
Image Sensor	1/3" SONY Super HAD CCDI	
Total Pixels	811(H) x 508(V)	795(H) x 596(V)
Scanning system , Sync. System	2:1 Interlace , Internal	
Scanning Frequency	15.734KHz(H),59.94Hz(V)	15.625KHz(H),50Hz(V)
Resolution	Max 600 TV lines in color (650TV lines in B/W)	
Min. illumination	Color : 0.1 lux , BW : 0.05 lux (0 lux @ IR_LED on)	
Video Output	1.0 Vp-p (75 ohm, composite)	
S/N Ratio	more than 50dB (AGC off)	
Power Source	DC12V±10%	
Power Consumption	350mA	
Power Input, Video Output	Connector , Connector	
Operating Temperature	-10 °C ~ +50 °C	
Operating Humidity	0 ~ 96% (non-condensing)	

FEATURES

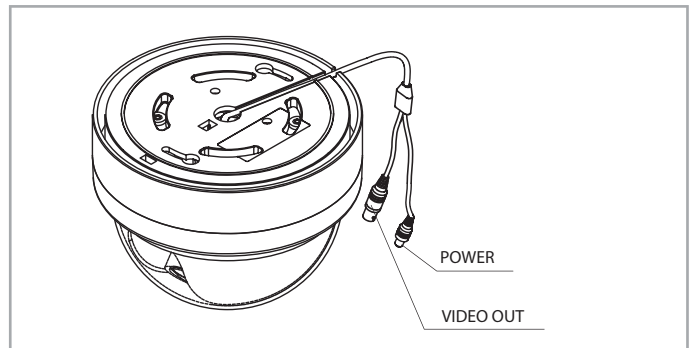
- Sony 1/3" Interline Transfer Type Color CCD
- 600TV Line High Resolution
- DNR (Digital Noise Reduction)
- Smart IR response by Auto Light Control
- DPC (Dead Pixel Compensation)
- 4mm Fixed Lens
- 30pcs IR LED (IR Distance 25m)
- DC12V operation
- Plastic dome housing for indoor application

DIMENSIONS

Unit : mm



CONNECTIONS



Design and specifications are subject to change without notice