



**GRUNDIG**

- Rugged Aluminium Design
- Concealed Cable Management

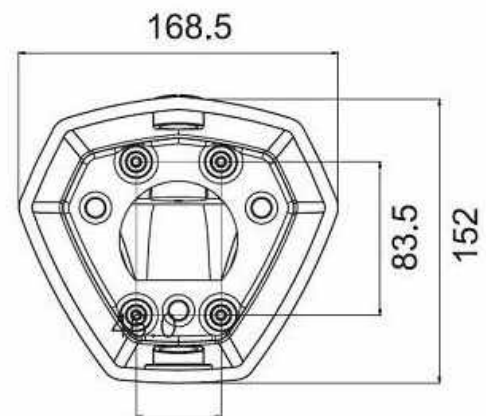
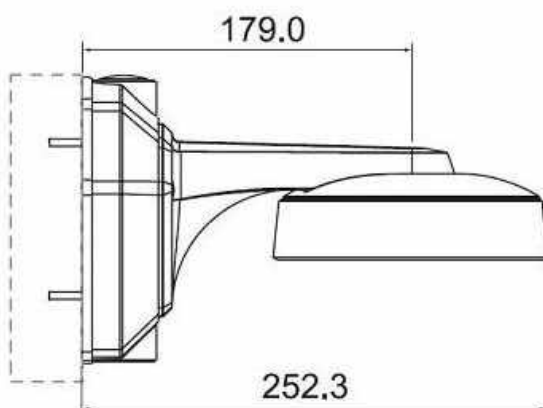
**Specifications**

**GBR-WA01**

Suitable for:	GCA-B0322V, GCA-B1323V, GCA-B0325V, GCA-B0323V
Body material:	Die cast aluminium
Colour:	Shiny white
Weight:	0.9 kg
Dimensions (wxhxd):	168.5 x 152 x 252 mm

**Dimensions**

**GBR-WA01**



Design and specifications are subject to change without notice