

- A1 Digital Signal Processor by Samsung Electronics with Motion Adaptive Digital Noise Reduction (DNR), Extended Dynamic Range (XDR), On Screen Menu (OSD), Digital Image Stabilisation (DIS), Picture in Picture (PiP), H/V Reverse and Privacy Zones
- Rugged antivandal body made of die-cast aluminium with polycarbonate lower dome for outdoor application
- CCVC (Camera Control Via Coaxial Cable)
- Intelligent Video Content Analysis with Motion Tracking
- Built-in Service Monitor Port & OSD Control Port
- 600 TV Lines excellent high horizontal resolution
- 3 Axis Gimbal, 3 ways to mount: Wall/Ceiling Flat, Wall/Ceiling Angle and Flush
- TAMRON Varifocal Lens: $f = 2.8 - 10.5$ mm, auto iris
- Day/Night feature (fixed IR cut filter, not IR sensitive)
- Power Input AC24V/DC12V

GCA-B0322V

1/3" CCD Col/B&W Fixed Dome Camera



GRUNDIG

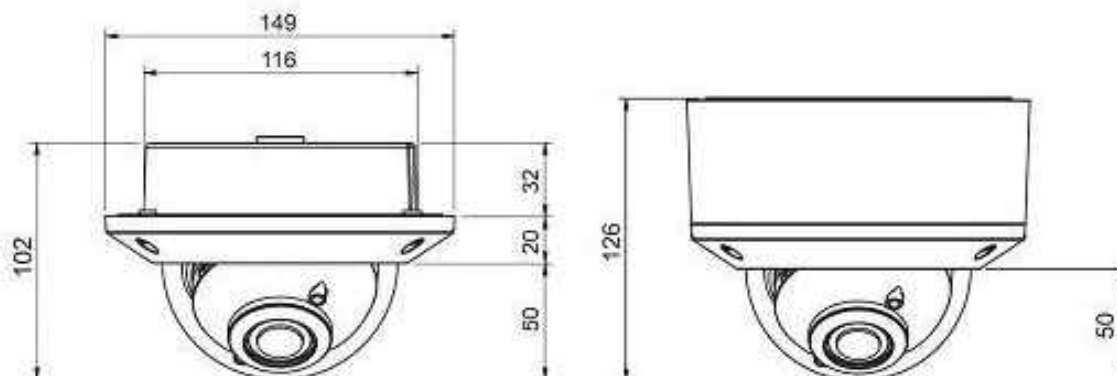
Specifications	GCA-B0322V
Image Sensor:	1/3" CCD (Sony Super HAD IT)
Scanning System:	PAL, 50Hz, 625 TVL(V), 2:1 Inter Line Transfer
Image Size:	Pixel Total: 795 x 596, Pixel Effective: 752 x 582
Resolution:	600 (H) lines
Col/B&W:	Auto (fixed IR-Cut filter)
Sensitivity:	0.4 Lux(50IRE) @ F1.2, 0.002Lux (15IRE, Sens up x256)
S/N Ratio:	52 dB
Lens Drive Type:	Auto iris, DC
Lens Focal Length:	2.8 ~ 10.5 mm (TAMRON)
Viewing Angle:	93.7°(H) ~ 28.3°(V)
Sens Up:	Off ~ x256, auto
Motion Detection:	On/Off/Sensitivity/Area setting
Number of Privacy Zones:	8 (polygonal method)
eXtended Dynamic Range (XDR):	Off/Low/Mid/High
High Speed Shutter:	1/50 ~ 1/10.000 sec, auto

Design and specifications are subject to change without notice

AGC:	Off/On (Very LOW/LOW/Mid/High/Very High/User/Fix)
BLC:	On/Off/Area/Level
Digital Noise Reduction (DNR):	Off / On (Low/Middle/High/User)
Digital Image Stabilization (DIS):	Off/On
Digital Zoom:	Off/1 ~ 10x
Reverse:	Off/ H-REV/ V-REV/ HV-REV/ POSITIV/ NEGATIV
PIP:	On/Off
Intelligent Video Analytics:	Tracking/Detection
OSD:	Yes, E/F/D/S/I
Camera ID:	54 character, 2 lines
White Balance:	ATW-1/ATW-2/AWC/Manual
Protection Rating:	IP66
Video Outputs:	1 CVBS 1 Vpp (BNC) & 1 test monitor out
Accessories included:	Cable for service monitor with service remote control
Humidity:	less than 90%
Operating Temperature:	-10°C ~ +50°C
Supply Voltage:	12 VDC/24 VAC
Power Consumption:	5.5 W
Weight:	1.12 kg
Dimensions (wxhxd):	Ø 152 x 126 mm

Dimensions

GCA-B0322V



Design and specifications are subject to change without notice