



GEBRUIKSAANWIJZING (E)

SYSTEEM CONTROLLER

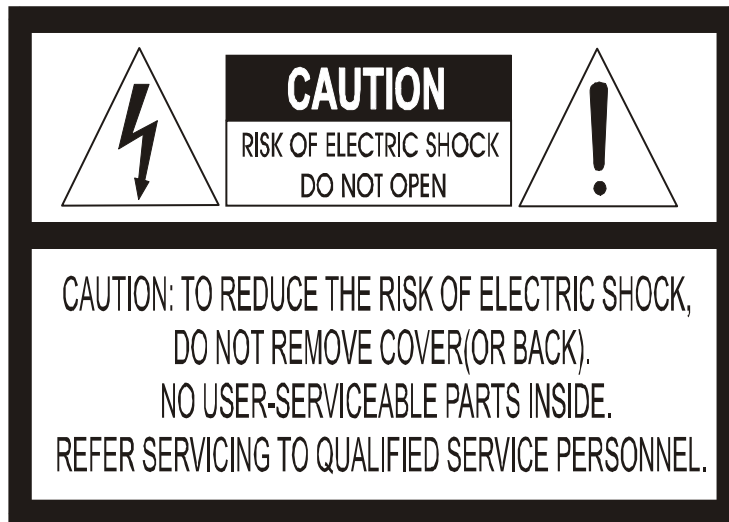


Het ontwerp en specificaties kunnen zonder voorafgaande kennisgeving worden gewijzigd!

WARNING

TO REDUCE THE RISK OF FIRE OR ELECTRIC SHOCK, DO NOT EXPOSE THIS PRODUCT TO RAIN OR MOISTURE. DO NOT INSERT ANY METALLIC OBJECTS THROUGH THE VENTILATION GRILLS OR OTHER OPENINGS ON THE EQUIPMENT.

CAUTION



EXPLANATION OF GRAPHICAL SYMBOLS



The lightning flash with arrowhead symbol, within an equilateral triangle, is intended to alert the user to the presence of un-insulated "dangerous voltage" within the product's enclosure that may be of sufficient magnitude to constitute a risk of electric shock to persons.



The exclamation point within an equilateral triangle is intended to alert the user to the presence of important operating and maintenance (servicing) instruction in the literature accompanying the product

CONTENTS

General Descriptions, Features	4
Installation.....	5
Part names & Functions	6
PTZ Control	8
Specifications & Dimensions	9

WTX-2000S

General description

The WTX-2000S is a pear to pear pan/tilt controller and it allows operators to perform the following functions :

- Controls camera functions such as pan, tilt, zoom, and focus.
- Sets and calls camera preset positions (4 positions)

Features

- RS-485 communication
- Pelco D and DRX-502 protocol
- Preset position control.(4 positions)
- Variable manual control speed from 1°/sec to 90°/sec
- Maximum speeds are proportional to zoom ratio.

Installation

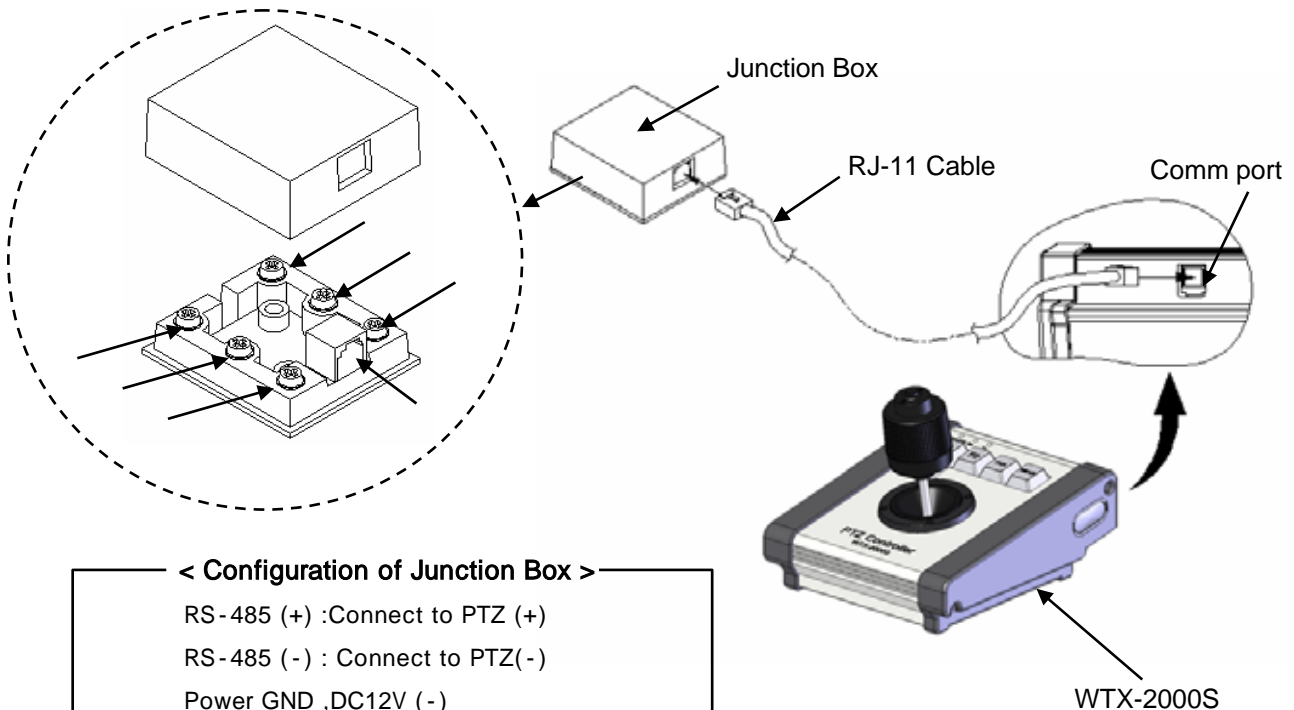
UNPACKING

Unpack the equipment and make sure all listed items are included in the box.

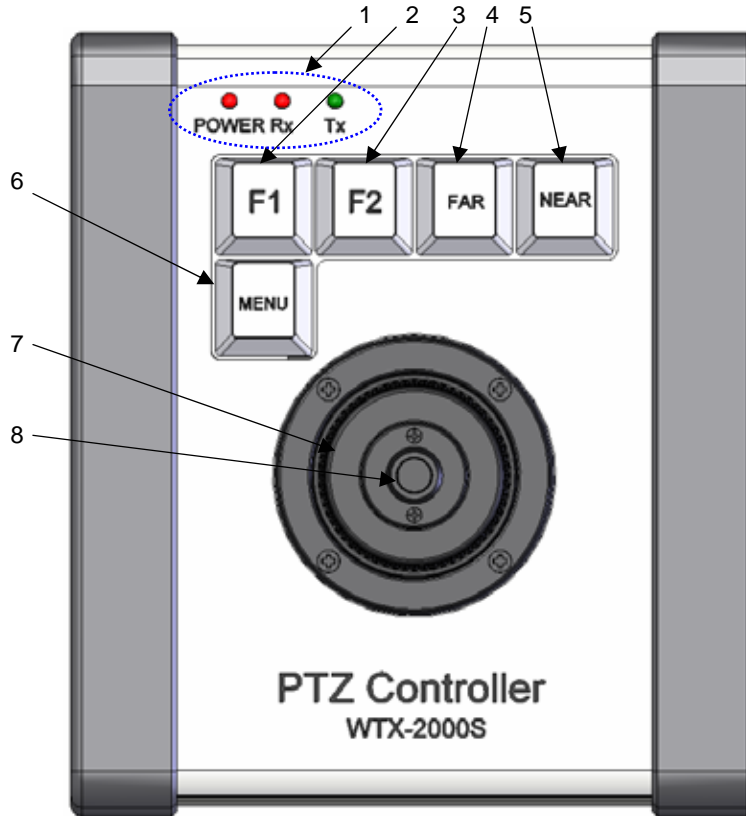
Keyboard controller	1
Junction box	1
RJ-11 cable	1
Instruction manual	1

1. CONNECTIONS

- 1.1 Open the junction box cover and connect the 12VDC power to the junction box number 3 and 6.
(DC 12V, 500mA, Power adaptor is not included in the system box).
- 1.2 Connect 6-pin multi-wired cable between junction-box and keyboard.
- 1.3 Connect PTZ communication wires (RS-485, 2-wires) to the junction box number of 1 and 2.
- 1.4 Turn on the power , then you will get into the starting mode.

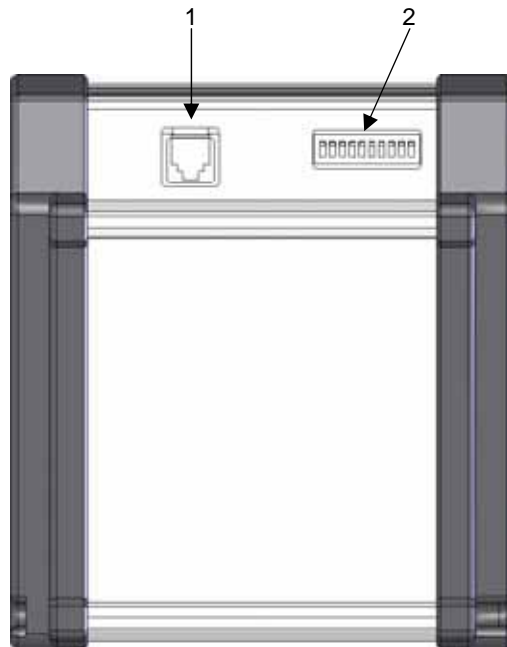


Parts name & functions(Top)

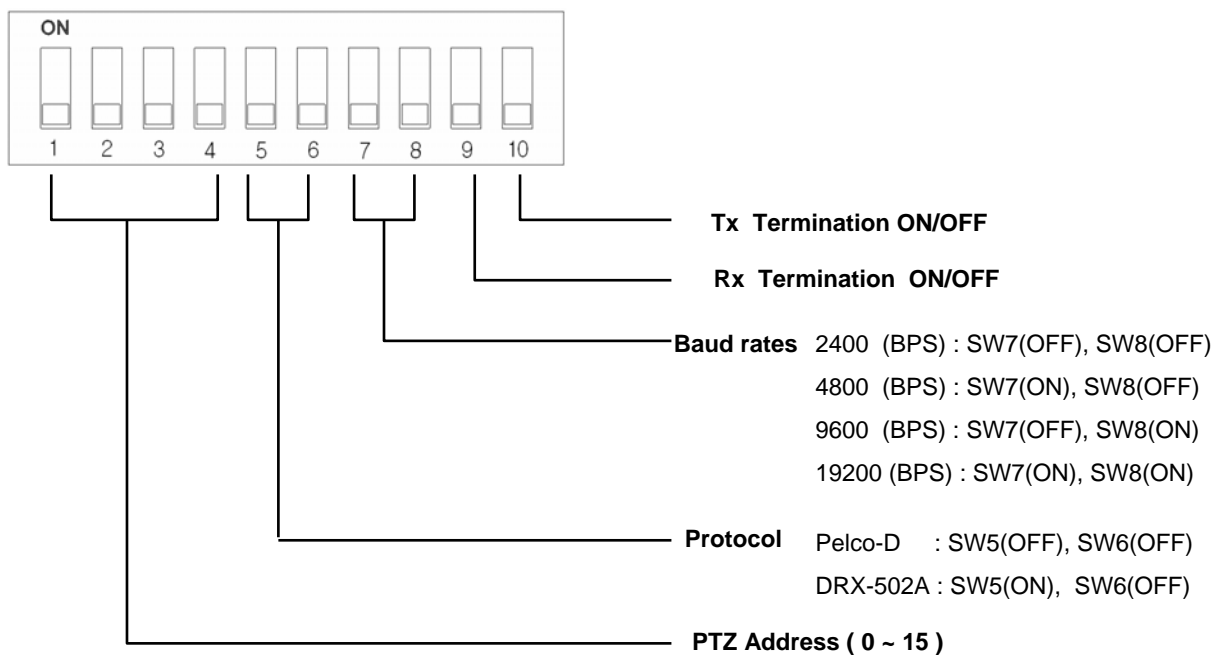


1. Shows the communication status (Power, communication)
2. 3. F1 ~ F2 : Functional keys. (not defined)
4. 5. Near/Far Focus : used for setting Zoom camera focus.
6. Menu : Get into the dome menu (Press for 2 seconds)
7. Joystick : Control Pan, Tilt and Zoom In , Out
8. Joystick Button : It used for preset control.

Parts name & functions(Bottom)



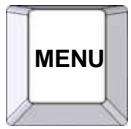
1. Communication Port : connect to PTZ port (cable).
2. Setting Switch : It used for setting address, bps and protocol setting.



• PTZ Camera Control

1. PTZ function setting

Camera Setting Menu



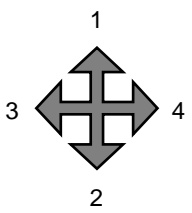
<Press and holding the "MENU" key for approximately 2 seconds>

Set all the functions according to the camera menu.


2. Accessing to the camera functions

Preset

Joystick Button



ex) Preset #1 : pressing Joystick Button and move up Joystick
Preset#2 : pressing Joystick button and move down Joystick



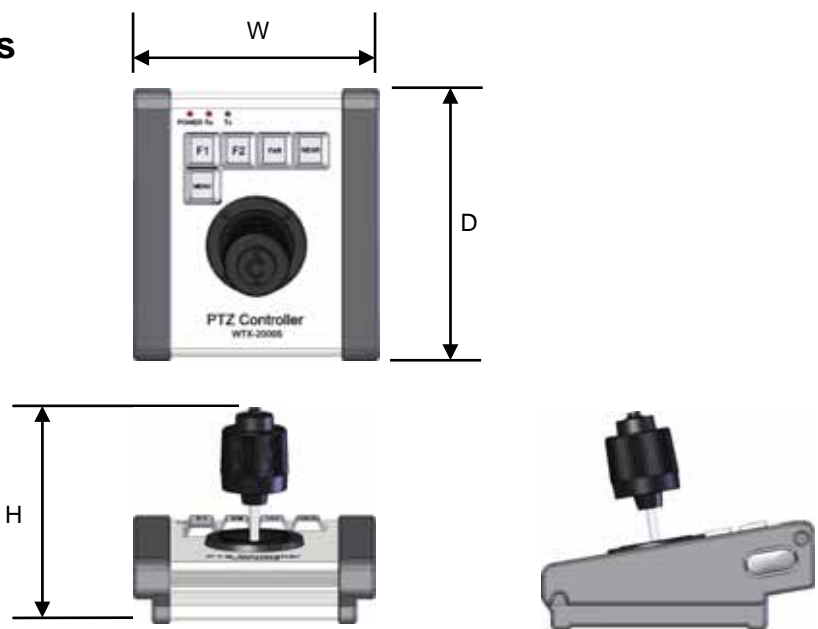
PTZ Controller
M7X-2000E

Preset control has to be set on the camera menu.

Specifications

Model	WTX-2000S
Keyboard communication	Pan/Tilt interface : RS-485/422
	Pan/Tilt distance : (1029m) on 24 AWG wire
	Protocol: Multiple (Pelco-D, DRX-502)
Connector Type Data	RJ-11 6-pin modular jack
Keyboard button	5 PC Keyboard buttons
	Camera function button (F1, F2, Focus Far/Near), Menu button
Joystick	Pan Tilt Zoom control, variable speed control
Power	12V DC±2V
Power consumption	Max.100mA
Operating temp/humidity	0 to 45 / 10% -70% non-condensing
Dimensions	130(W) x 130(H) x 145(D) / 0.8Kg

Dimensions



Distributed by



Made in Korea