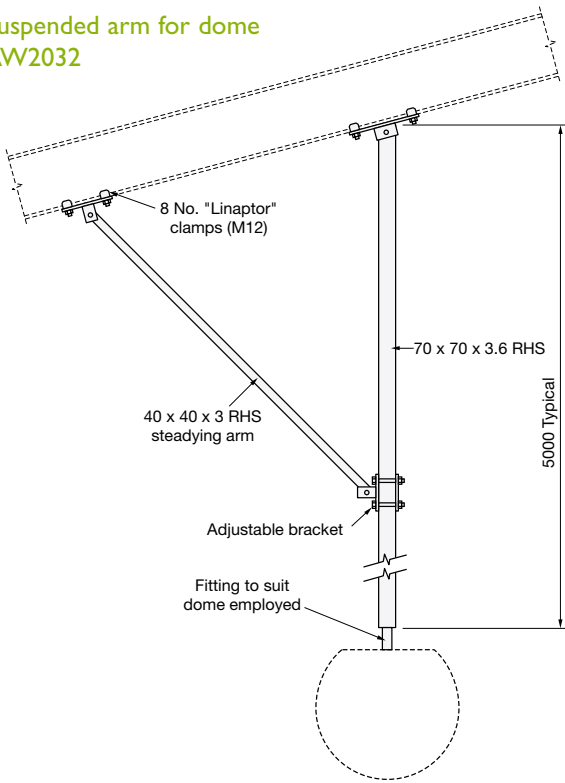
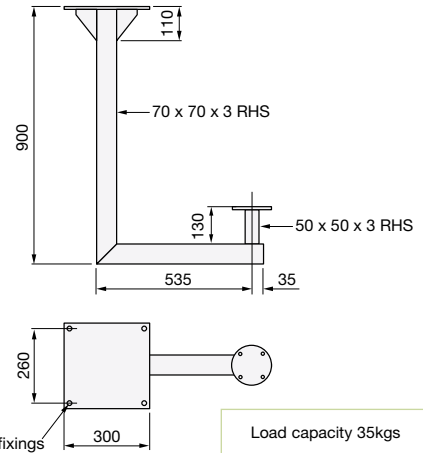


## RSJ Mounting Underslung Bracketry

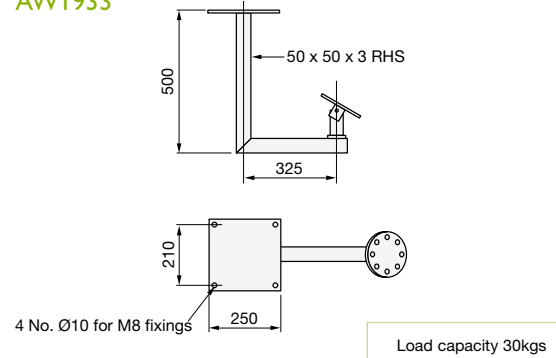
Suspended arm for dome  
AW2032



## Soffit underslung 'J' bracket PTZ camera AW2053

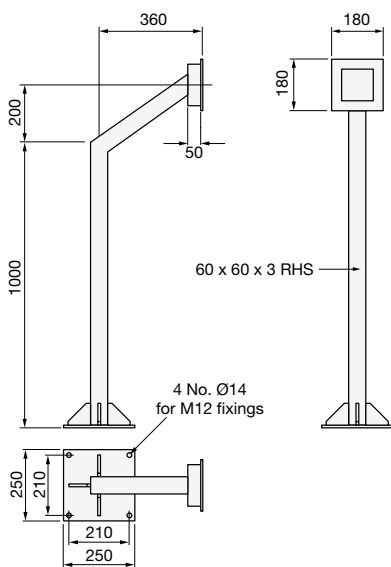


## Soffit underslung 'J' bracket fixed camera AW1933

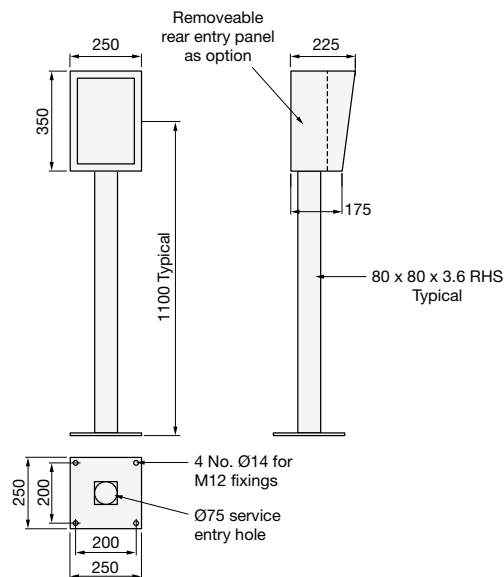


## Pedestals

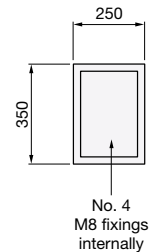
### Car park entry pedestal AW1915



### Door entry pedestal AW1995



### Wall mount door entry unit



- Finishes available
- Galvanised
  - Painted
  - Powdercoated
  - Stainless steel brushed

Note  
Galvanised is standard finish - other finishes are optional and at additional cost

Box sizes are typical and can vary to suit application

Dimensions are typical