



ACC2BPLA



ACT2BP

Modular Towers  
& Columns

Altron's range of Modular Towers and Columns are a practical and economic solution to many commercial and industrial CCTV installations. Sectional construction means economic shipping and easy installation in more inaccessible locations.

We offer the most comprehensive range available with tilt-down models up to 15 metres and fixed models up to 25 metres with telescopic, cabinet based and internally cabled products completing the range.

Altron's numerous security design features ensure a good level of resistance against vandal attacks.



ACC2FBLA

**Fixed height range 4.5m - 10m**  
**Tilt-down height range 4.5m - 15m**

**Altron Camera Columns, a cost effective and comprehensive range with most models available 'ex stock', offering a good level of security. Suitable for installations where the public has access - tilt-down models have internal padlock facility. The range is generally for light to medium fixed and PTZ applications, but there are also heavy duty (HD) options for high loading PTZ and dual lighting & CCTV applications.**

### Typically used for the following types of installation

- o Industrial and commercial premises
- o Perimeter detection
- o Utilities sites
- o Schools and universities
- o Railway platforms & car parks
- o Car parks
- o Petrochemical sites
- o Sports stadia

### Security Features

- o Internal cabling
- o Internal padlock facility on tilt-down models to protect against unauthorised lowering
- o Close fitting flush doors
- o Solid secure heavy duty door locks

### General Features

- o Modular construction for ease of assembly and installation on site
- o Ideal for restricted access areas
- o Provides stable mounting platform for all camera types
- o Demountable winches ensure tilt down models are secure and reduces costs on multiple installations
- o Tilt Down models enable camera maintenance at ground level, therefore reducing maintenance costs
- o Tilt Down models available in both bolt down and post mounted base versions
- o A wide range of standard Altron Accessories and Brackets available ex stock
- o Quick turnaround for larger projects
- o Constructed in high tensile steel and hot dip galvanised after fabrication for durability
- o Option of painting over the galvanised finish in colours available from BS and RAL colour charts
- o For design, manufacturing and finishing standards, see details on page 107



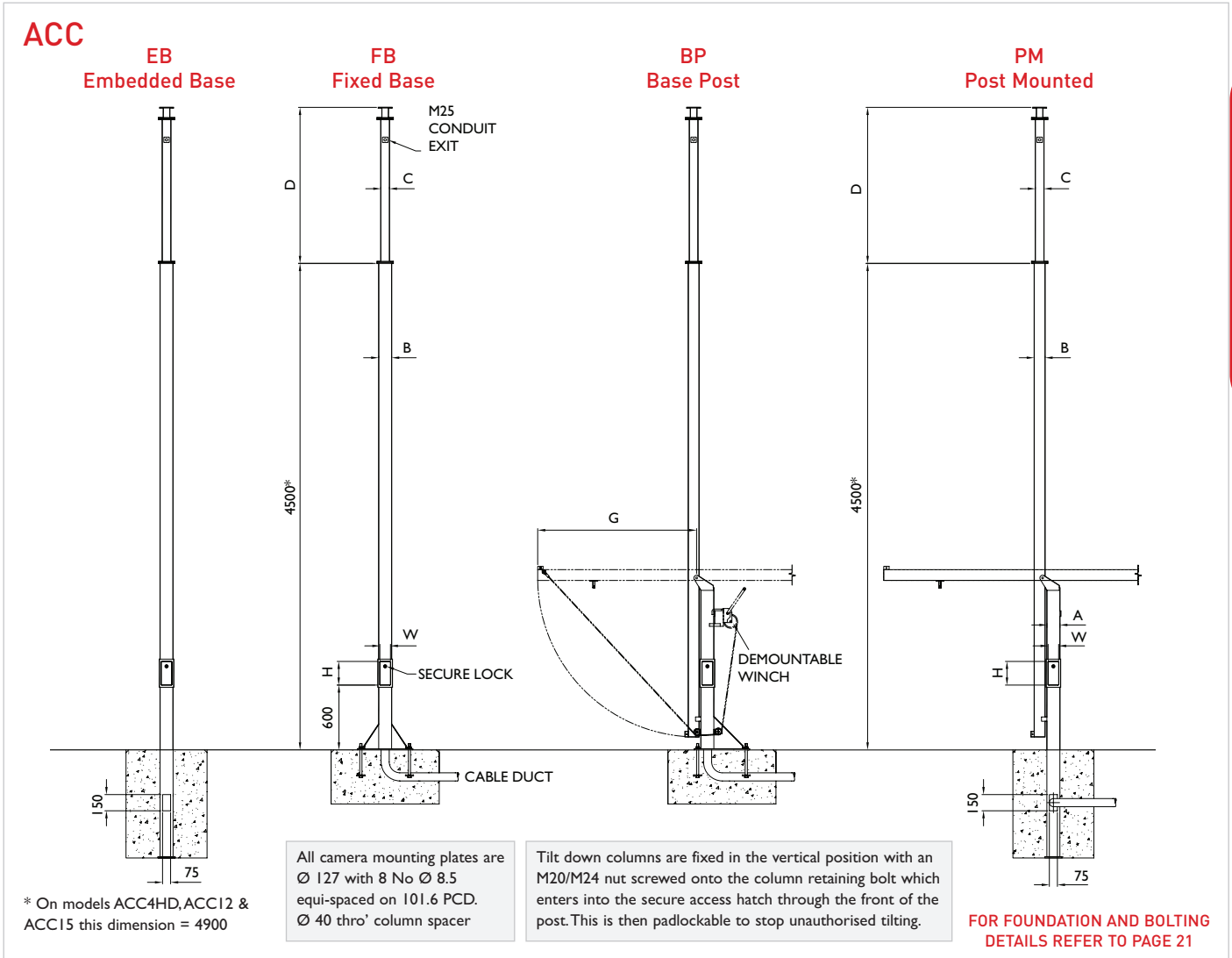
Tilt-down columns have the facility to be padlocked internally



All columns have flush fitting doors



ACC2BPLA in tilted position



Model No.	Height in mtrs	Post type	Max equip weight at top kgs	Max equip surface area m <sup>2</sup>	Post size A <sup>2</sup>	Lower section B <sup>2</sup>	Mid section B <sup>2</sup>	Upper section C <sup>2</sup>	Extension length D mtrs	Door aperture size HxW	Column Rear clearance when tilting G	Winch part number	Product weight kgs	
<b>ACC1</b> Standard Duty	4.5	<b>FB/EB</b>	35	0.3	-	100	-	-	-	250x70	-	-	68	
		<b>PM</b>	35	0.3	120	100	-	-	-	270x80	1700	<b>DW1000/AC</b>	100	
		<b>BP</b>	35	0.3	120	100	-	-	-	270x80	1700	<b>DW1000/AC</b>	115	
<b>ACC2</b> Standard Duty	6	<b>FB/EB</b>	25	0.2	-	120	-	90	1.5	270x80	-	-	114	
		<b>PM</b>	25	0.2	120	100	-	80	1.5	270x80	1700	<b>DW1000/AC</b>	115	
		<b>BP</b>	25	0.2	120	100	-	80	1.5	270x80	1700	<b>DW1000/AC</b>	130	
<b>ACC2HD 6</b> Heavy Duty	6	<b>FB/EB</b>	35	0.3	-	150	-	100	1.5	280x110	-	-	144	
		<b>PM</b>	35	0.3	120	120	-	90	1.5	270x80	1700	<b>DW1000/AC</b>	138	
		<b>BP</b>	35	0.3	120	120	-	90	1.5	270x80	1700	<b>DW1000/AC</b>	157	
<b>ACC3</b> Standard Duty	7.5	<b>FB/EB</b>	25	0.2	-	150	-	100	3	280x110	-	-	161	
		<b>PM</b>	25	0.2	150	120	-	90	3	280x110	2000	<b>DW1500/AC</b>	189	
		<b>BP</b>	25	0.2	150	120	-	90	3	280x110	2000	<b>DW1500/AC</b>	193	
<b>ACC3HD 7.5</b> Heavy Duty	7.5	<b>FB/EB</b>	50	0.3	-	200	-	120	3	315x150	-	-	178	
		<b>PM</b>	50	0.3	150	150	-	100	3	280x110	2000	<b>DW1500/ACHD</b>	218	
		<b>BP</b>	50	0.3	150	150	-	100	3	280x110	2000	<b>DW1500/ACHD</b>	222	
<b>ACC4</b> Standard Duty	9	<b>FB/EB</b>	25	0.16	-	150	-	100	4.4	280x110	-	-	197	
		<b>PM</b>	25	0.16	150	150	-	100	4.4	280x110	2000	<b>DW2500/AC</b>	244	
		<b>BP</b>	25	0.16	150	150	-	100	4.4	280x110	2000	<b>DW2500/AC</b>	248	
<b>ACC4HD 10</b> Heavy Duty	10	<b>FB/EB</b>	50	0.5	-	200	-	150	4.9	315x150	-	-	305	
		<b>PM</b>	50	0.5	200	200	-	150	4.9	315x150	2400	<b>DW2500/ACHD</b>	492	
		<b>BP</b>	50	0.5	200	200	-	150	4.9	315x150	2400	<b>DW2500/ACHD</b>	500	
<b>ACC12</b>	12	<b>PM</b>	35	0.3	200	200	150	100	i 4.9	4.9	315x150	2400	<b>DW2500/ACHD</b>	518
		<b>BP</b>	35	0.3	200	200	150	100	4.9	4.9	315x150	2400	<b>DW2500/ACHD</b>	526
<b>ACC15</b>	15	<b>PM</b>	25	0.16	200	200	150	100	4.9	4.9	315x150	2400	<b>DW2500/ACHD</b>	555
		<b>BP</b>	25	0.16	200	200	150	100	4.9	4.9	315x150	2400	<b>DW2500/ACHD</b>	563

**FOR FOUNDATION AND BOLTING DETAILS REFER TO PAGE 21**

## Accessories

Top mounting brackets for Fixed and PTZ cameras	P76
Swanneck brackets for Dome cameras	P81
Anti-climb guards	P77
Clamp-on camera mounting brackets	P78
Telemetry box mounting brackets	P77
Column top mounting cages	P83

## Quick reference

Single fixed camera knuckle	<b>PTS-1</b>
Twin fixed camera bracket	<b>TB2-600F</b>
Half swanneck for dome	<b>AW1699H</b>
Full swanneck for dome	<b>AW1699F</b>
Anti climb guard	<b>SGC</b>
Telemetry bracket	<b>ATBC</b>

Where payloads are greater than those stated above, please contact Altron  
 EB Version is directly embedded  
 All dimensions in mm unless stated otherwise

