

S-Sight

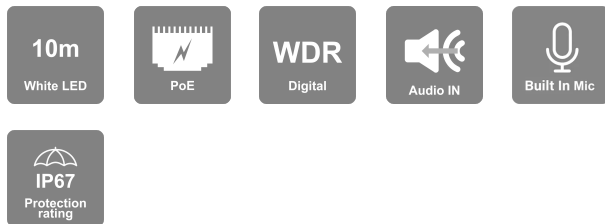
This series simplifies surveillance with high-quality images and enhanced night vision capabilities. Powered by AI (DDA™ Video Analytics) and equipped with Check Point protection for comprehensive monitoring. Choose from rainbow cameras, Motorized Varifocal options, and Anti-Vandal designs for high-security areas.



DV-340SR3N-28

4MP Rainbow Fixed Lens Dome/Turret Camera with White LED and DDA1 Analytics

Equipped with a 2.8mm lens, this 4MP Turret/Dome camera is designed for 24/7 color image. With its new Rainbow 3.0 technology this camera delivers exceptional colored image even in very low light scenarios and is also equipped with white LED for those pitch-dark areas. This model complies with NDAA demands and ensures your device is cyber-protected round the clock with the integrated Check Point Quantum IoT Nano agent that provides an advanced threat prevention layer against the common attack vectors at runtime. Fitted with the new "Dual System" technology, this camera offers broad possibilities for Analytics, from Face Detection to the outstanding DDA Analytics (Detect, Distinguish, Alert). With various detection rules and triggers, the DV-340SR3N-28 camera is here to end false alarms even in dark scenarios..



MAIN FEATURES

- DV-340SR3N-28 4MP Rainbow Fixed Lens Dome/Turret Camera with White LED and DDA1 Analytics
- Sensor: 1/2.9" CMOS
- Resolution: 2688x1520 25/30FPS (4MP)
- Lens: 2.8mm (99°) 24/7 Full-Color Day Mode
- Illumination: 10m (2 High-Power White LEDs)
- Compression: H.265+ / H.264+ / H.265 / H.264 / MJPEG
- Quantum IoT Nano agent by Check Point™
- General Analytics: Camera Tampering, Item Monitoring
- Human & Vehicle Recognition: SMD, Sterile Area, Line Crossing, Area Entry, Area Exit, Object Counting (Line)
- AI (Face Detection): 10 Faces per frame
- Audio Exception
- Digital WDR, BLC, HLC, ROI
- SD Card: Event/Schedule Record (Up to 512GB)
- Built-in Microphone + Audio input
- ONVIF: Profile M/T/S/G
- Water Proof: IP67
- Weight: ~540g
- Power: DC12V/~450mA / PoE/~6.5W



SPECIFICATIONS

| 3rd Party Cyber Protection | |
|----------------------------|---|
| General | Quantum IoT Nano agent by Check Point™ |
| Protection Methods | Shell injection protection, File Monitor, Import-Table Protection, Dynamic-Memory Protection |
| NDAA Compliant | |
| NDAA Compliant | Yes |
| Video | |
| Image Sensor | 1/2.9" CMOS |
| Effective Pixels | 2688×1520 |
| Electronic Shutter | 1/3s ~ 1/100000s |
| Day & Night | 24/7 Full-Color Day Mode |
| Min. Illumination | 0.0005 lux @F1.0, AGC ON; 0 lux with illumination on |
| Audio | |
| Audio compression | G.711A/G.711U |
| Communication | One-Way Audio |
| Image | |
| Image Settings | AWB, Sharpness, Saturation, Brightness & Contrast Adjustable |
| Image Enhancement | Digital WDR, BLC, HLC, ROI |
| Noise Reduction | 3D-DNR |
| Image Orientation | Mirror/Flip, Corridor Mode |
| Privacy Zone | Yes |
| Events and Analytics | |
| Analytics | General Analytics: Camera Tampering, Item Monitoring Human & Vehicle Recognition: SMD, Sterile Area, Line Crossing, Area Entry, Area Exit, Object Counting (Line) AI (Face Detection): 10 Faces per frame Audio Exception |
| Motion Detection | Yes |
| Compression | |

| | |
|--------------------------|---|
| Resolution | 4MP (2688x1520) / 4MP (2560x1440) / 2MP (1920x1080) / 1MP (1280x720) / D1 (704x576) / VGA/ 640x360/QVGA (480x240) / CIF (352x288) |
| Frame Rate | 1-25/30FPS |
| Video Compression | H.265+ / H.264+ / H.265 / H.264 / MJPEG** |
| Multi-Stream | Master Stream: 4MP (2688x1520) / 4MP (2560x1440) / 2MP (1920x1080) (1~30fps) Substream: 1MP (1280x720) / D1 (704x576) / VGA/ 640x360/QVGA (480x240) / CIF (352x288) Third Stream: 1MP (1280x720) / D1 (704x576) / VGA/ 640x360/QVGA (480x240) / CIF (352x288) (1~30fps) |
| Bit Rate | 32Kbps ~ 7Mbps@H.265 / 128Kbps ~ 8Mbps@H.264 |
| Encode Mode | VBR/CBR |
| Image Quality | Five levels under VBR; Free adjustment under CBR |

| Lens | |
|-----------------------------|-------------|
| Lens (Field of View) | 2.8mm (99°) |
| Iris | Fixed Iris |
| Lens Mount | M12 Mount |
| Detect | 61m(200ft) |
| Recognize | 12m(40ft) |
| Identify | 6m(20ft) |

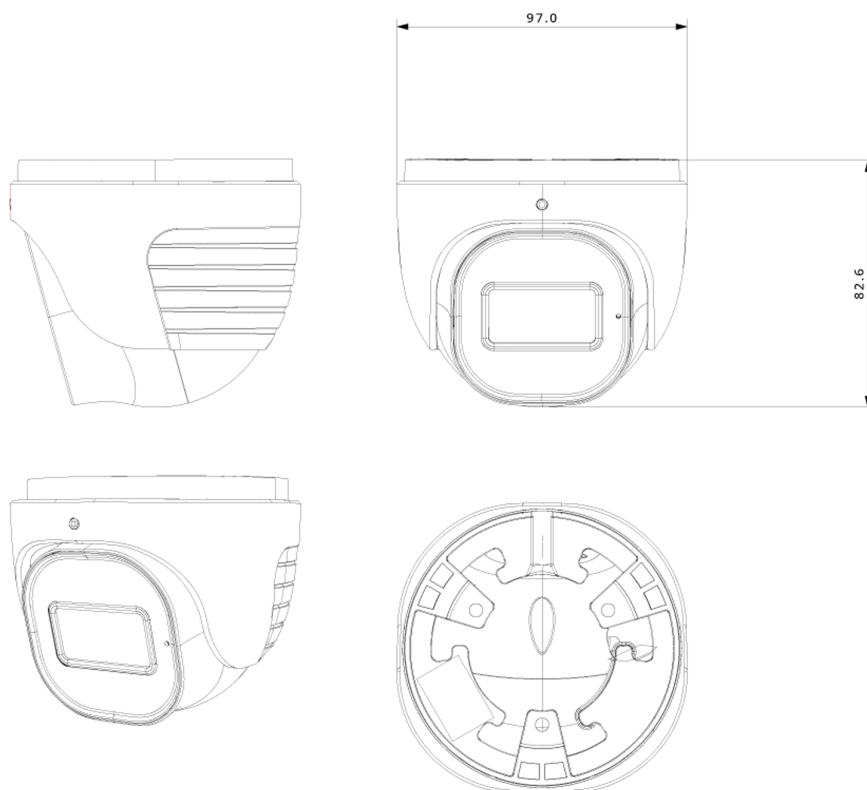
| Network | |
|--------------------------|--|
| User Access | Supports simultaneous monitoring of up to 10 users with multi-stream real-time transmission |
| Network Protocol | IPv4, IPv6, TCP, UDP, DHCP, NTP, DDNS, SNMP, 802.1X, RTSP, RTMP, Multicast, UPnP, Email, FTP, HTTPS, QoS, P2P, HTTP POST, Auto Report |
| Remote Monitoring | IE Browsing (Plug-In required), Chrome/Edge/Safari/Firefox plug-in free browsing, Ossia VMS Software, Provision Cam2 Mobile App *P2P WEB connection always requires Plugin |
| Ethernet | 100Mbps |
| ONVIF | Profile M/T/S/G |

| Connectivity | |
|---------------------------|-----------------------------------|
| Network | RJ45 (+PoE) |
| Audio Connectivity | Built-in Microphone + Audio input |

| | |
|----------------------------|---|
| Alarm | No |
| SD Card | Event/Schedule based Main/Substream recording (Up to 512GB) |
| Wiegand | N/A |
| Power | DC Socket |
| Analog Video Output | No |

| Housing | |
|--------------------------|-------------------------------|
| PoE | Yes |
| Illumination | 10m (2 High-Power White LEDs) |
| Power Supply | DC12V/~450mA / PoE/~6.5W |
| Protection Rate | Water Proof: IP67 |
| Work Environment | -30°C~60°C, 10%~90% Humidity |
| Bracket | 3-Axis Bracket |
| Dimensions | Ø 94.6mm × 82.8mm |
| Weight (gross) | ~540g |
| Hard Reset Button | Yes |

DIMENSIONS



ACCESSORIES



Sinds 2014 gedistribueerd door



VSS Nederland B.V.

Telfordstraat 11M

8013 RL Zwolle

Tel: (038) 4289420

Email: info@vssnederland.nl

Web: www.vssnederland.nl | www.provision-isr.nl



Facebook



LinkedIn



Youtube

