

This series is designed for security professionals and offers superior image quality, advanced AI analytics, seamless connectivity, and unparalleled insight and protection, with options and configurations to meet specific needs. The Check Point Quantum IoT Nano and DDA2 Analytics provide detailed attribute analysis and advanced threat prevention.

I6-340IPEN-MVF-G-V4

4MP MVF Lens Bullet Camera with IR LED and DDA2 Analytics

Equipped with a 2.8-12mm motorized lens, this 4MP camera is designed for medium-distance surveillance (up to 60m) in indoor and outdoor scenarios. Fitted with the new "Dual System" technology, the camera can deal with internal anomalies independently, making it more redundant to software-based issues. The camera offers broad possibilities for Analytics, from Face Detection to the outstanding DDA Analytics (Detect, Distinguish, Alert) and the newly developed DDA2, which can perform object recognition, object counting, and investigate specifics such as age, color, gender, vehicle brand and much more. The I6-340IPEN-MVF-G-V4 camera is here to end false alarms. Check Point Quantum IoT Nano agent is integrated into this model. It provides an advanced threat prevention layer against the common attack vectors at runtime.

4
MP



MAIN FEATURES

- I6-340IPEN-MVF-G-V4 4MP MVF Lens Bullet Camera with IR LED and DDA2 Analytics
- Sensor: 1/3" CMOS
- Resolution: 2592x1520 25/30FPS (4MP)
- Lens: 2.8-12mm MVF with Auto Focus (105°-33°)
- True Day&Night – ICR
- Illumination: 60m (4 High-Power IR LED)
- Compression: H.265+ / H.264+ / H.265 / H.264 / MJPEG
- Quantum IoT Nano agent by Check Point™
- General Analytics: Camera Tampering
- AI (Object Recognition): DDA Sterile Area, DDA Line Crossing, DDA Object Counting (Line), DDA Object Counting (Area)
- AI (Face Detection): 10 Faces per frame
- AI: Heatmap
- DDA2: Advanced Object Classification
- True WDR (120dB), BLC, HLC, ROI
- SD Card: Event/Schedule Record (Up to 256GB)
- Alarm in + Alarm out
- Built-in Microphone + Audio input + Audio output
- ONVIF: Profile T/S/G
- Water Proof: IP67
- Weight: ~1070g
- Power: DC12V/~550mA / PoE/~8.5W



SPECIFICATIONS

3rd Party Cyber Protection	
General	Quantum IoT Nano agent by Check Point™
Protection Methods	Shell injection protection, File Monitor, Import-Table Protection, Dynamic-Memory Protection
NDAA Compliant	
NDAA Compliant	Yes
Video	
Image Sensor	1/3" CMOS
Effective Pixels	2592×1520
Electronic Shutter	1/2s ~ 1/100000s
Day & Night	ICR
Min. Illumination	Day: 0.1lux / Night: 0.005lux (@F1.6, AGC on) 0lux with IR on
Audio	
Audio compression	G.711A/G.711U
Communication	Two-Way Audio
Image	
Image Settings	AWB, AGC Adjustable, Exposure Mode (Auto) Sharpness, Saturation, Brightness & Contrast Adjustable
Image Enhancement	True WDR (120dB), BLC, HLC, ROI
Noise Reduction	3D-DNR
Image Orientation	Mirror/Flip, Corridor Mode
Privacy Zone	Yes
Events and Analytics	
Analytics	General Analytics: Camera Tampering AI (Object Recognition): DDA Sterile Area, DDA Line Crossing, DDA Object Counting (Line), DDA Object Counting (Area) AI (Face Detection): 10 Faces per frame AI: Heatmap DDA2: Advanced Object Classification
Motion Detection	Yes
Compression	

Resolution	4MP/ 3MP / 2MP / 1MP / D1 / VGA / CIF
Frame Rate	1-25/30FPS in Normal Mode. 1-50/60FPS in HFR Mode**
Video Compression	H.265+/ H.264+ / H.265 / H.264 / MJPEG**
Multi-Stream	Master Stream: 4MP(2592x1520) / 2K (2560x1440) / 3MP / 2MP / 1MP Substream: 1MP/D1/VGA/640x360/480x240/CIF Third Stream: 1MP/D1/480x240/CIF (1~30fps)
Bit Rate	64Kbps ~ 7Mbps@H.265 / 64Kbps ~ 8Mbps@H.264
Encode Mode	VBR/CBR
Image Quality	Five levels under VBR; Free adjustment under CBR

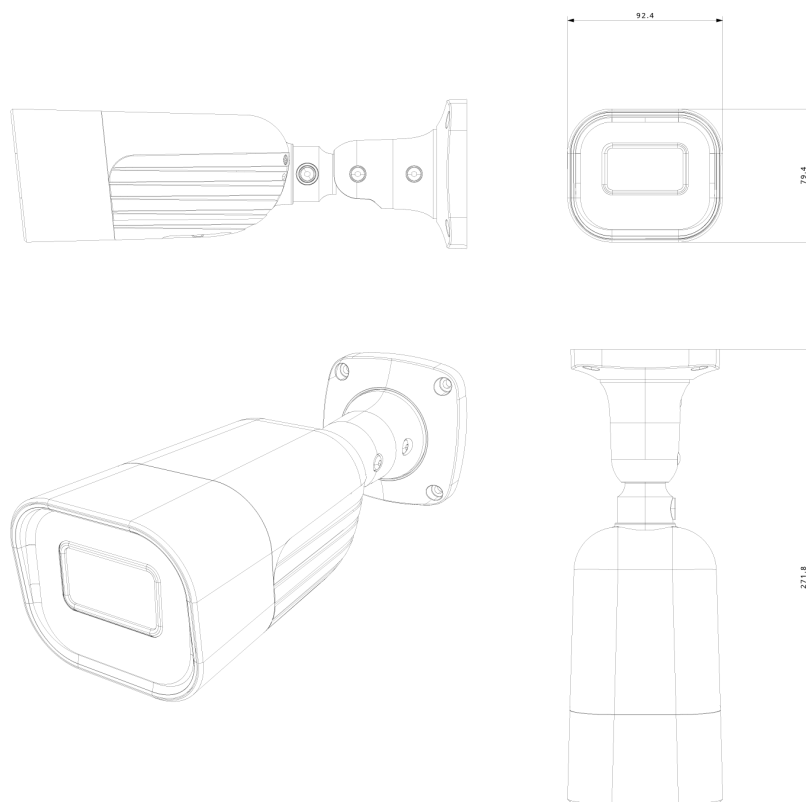
Lens	
Lens (Field of View)	2.8-12mm MVF with Auto Focus (105°-33°)
Iris	DC Iris
Lens Mount	Ø14 Mount
Detect	2.8~12mm(W): 58.91m(193.27ft) - 2.8~12mm(T): 205.99m(675.82ft)
Recognize	2.8~12mm(W): 11.78m(38.74ft) - 2.8~12mm(T): 41.20m(119.32ft)
Identify	2.8~12mm(W): 5.89m(19.35ft) - 2.8~12mm(T): 20.60m(59.64ft)

Network	
User Access	Supports simultaneous monitoring of up to 8 users with multi-stream real-time transmission
Network Protocol	IPv4, IPv6, TCP, UDP, DHCP, NTP, DDNS, SNMP, 802.1X, RTSP, RTMP, Multicast, UPnP, Email, FTP, HTTPS, QoS, P2P, HTTP POST, Auto Report
Remote Monitoring	IE Browsing (Plug-In required), Chrome/Edge/Safari/Firefox plug-in free browsing, Ossia VMS Software, Provision Cam2 Mobile App *P2P WEB connection always requires Plugin
Ethernet	100Mbps
ONVIF	Profile T/S/G

Connectivity	
Network	RJ45 (+PoE)
Audio Connectivity	Built-in Microphone + Audio input + Audio output

Alarm	Alarm in + Alarm out
SD Card	Event/Schedule based Main/Substream recording (Up to 256GB)
Wiegand	N/A
Power	DC Socket
Analog Video Output	CVBS out + Technician Port
Housing	
PoE	Yes
Illumination	60m (4 High-Power IR LED)
Power Supply	DC12V/~550mA / PoE/~8.5W
Protection Rate	Water Proof: IP67
Work Environment	-30°C~60°C, 10%~90% Humidity
Bracket	3-Axis Bracket
Dimensions	271.8x92.4x79.4mm
Weight (gross)	~1070g
Hard Reset Button	Yes

DIMENSIONS



ACCESSORIES

IP66



PR-JB14IP66-G

Sinds 2014 gedistribueerd door



VSS Nederland B.V.

Telfordstraat 11M


8013 RL Zwolle


Tel: (038) 4289420

Email: info@vssnederland.nl

Web: www.vssnederland.nl | www.provision-isr.nl

 Facebook

 LinkedIn

 Youtube

