

## Eye-Sight

This series is designed for security professionals and offers superior image quality, advanced AI analytics, seamless connectivity, and unparalleled insight and protection, with options and configurations to meet specific needs. The Check Point Quantum IoT Nano and DDA2 Analytics provide detailed attribute analysis and advanced threat prevention.

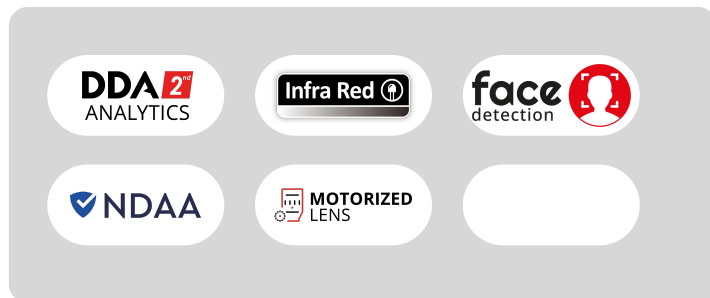


# I6-2120IPEN-MVF-V5

## 12MP MVF Lens Bullet Camera with IR LED and DDA2 Analytics

Equipped with a 2.8-12mm motorized lens, this 12MP camera is designed for long-distance surveillance (up to 60m) in indoor and outdoor scenarios. Fitted with the new "Dual System" technology, the camera can deal with internal anomalies independently, making it more redundant to software-based issues. The camera offers broad possibilities for Analytics, from Face Detection to the outstanding DDA Analytics (Detect, Distinguish, Alert) and the newly developed DDA2, which can perform object recognition, object counting, and investigate specifics such as age, color, gender, vehicle brand and much more. The I6-2120IPEN-MVF-V5 camera is here to end false alarms. Check Point Quantum IoT Nano agent is integrated into this model. It provides an advanced threat prevention layer against the common attack vectors at runtime.

12 MP



## MAIN FEATURES

- I6-2120IPEN-MVF-V5 12MP MVF Lens Bullet Camera with IR LED and DDA2 Analytics
- Sensor: 1/1.7" CMOS (4:3)
- Resolution: 4000x3000 25/30FPS (12MP)
- Lens: 2.8-12mm MVF with Auto Focus (98°-47°)
- True Day&Night – ICR
- Illumination: 60m (4 High-Power IR LEDs)
- Compression: H.265+ / H.264+ / H.265 / H.264 / MJPEG
- Quantum IoT Nano agent by Check Point™
- General Analytics: Camera Tampering
- AI (Object Recognition): DDA Sterile Area, DDA Line Crossing, DDA Object Counting (Line), DDA Object Counting (Area), DDA Loitering Detection, DDA Illegal Parking Detection
- AI (Face Detection): 10 Faces per frame

- AI: Heatmap
- DDA2: Advanced Object Classification
- Digital WDR, BLC, HLC, ROI
- SD Card: Event/Schedule Record (Up to 256GB)
- Alarm in + Alarm out
- Built-in Microphone + Audio input + Audio output
- ONVIF: Profile M/T/S/G
- Water Proof: IP67
- Weight: ~1060g
- Power: DC12V/~850mA / PoE/~13W



## SPECIFICATIONS

3rd Party Cyber Protection	
<b>General</b>	Quantum IoT Nano agent by Check Point™
<b>Protection Methods</b>	Shell injection protection, File Monitor, Import-Table Protection, Dynamic-Memory Protection
NDAA Compliant	
<b>NDAA Compliant</b>	Yes
Video	
<b>Image Sensor</b>	1/1.7" CMOS (4:3)
<b>Effective Pixels</b>	4000x3000
<b>Electronic Shutter</b>	1/3s ~ 1/100000s
<b>Day &amp; Night</b>	ICR
<b>Min. Illumination</b>	0.006lux (@F1.4, AGC on) 0lux with IR on
Audio	
<b>Audio compression</b>	G.711A/G.711U
<b>Communication</b>	Two-Way Audio
Image	
<b>Image Settings</b>	AWB, AGC Adjustable, Exposure Mode (Auto) Sharpness, Saturation, Brightness & Contrast Adjustable
<b>Image Enhancement</b>	Digital WDR, BLC, HLC, ROI
<b>Noise Reduction</b>	3D-DNR
<b>Image Orientation</b>	Mirror/Flip, Corridor Mode
<b>Privacy Zone</b>	Yes
Events and Analytics	
<b>Analytics</b>	General Analytics: Camera Tampering AI (Object Recognition): DDA Sterile Area, DDA Line Crossing, DDA Object Counting (Line), DDA Object Counting (Area), DDA Loitering Detection, DDA Illegal Parking Detection AI (Face Detection): 10 Faces per frame AI: Heatmap DDA2: Advanced Object Classification
<b>Motion Detection</b>	Yes
Compression	

<b>Resolution</b>	12MP (4000x3000) / 8MP (3840x2160) / 6MP (3200x1800) / 4MP (2688x1520) / 2MP (1920x1080) / 1MP (1280x720) / D1 (704x576) / VGA (640x480) / 480x240 / CIF (352x288)
<b>Frame Rate</b>	1-25/30FPS
<b>Video Compression</b>	H.265+/ H.264+ / H.265 / H.264 / MJPEG**
<b>Multi-Stream</b>	Master Stream: 12MP (4000x3000) / 8MP (3840x2160) / QHD (3200x1800) / 2688x1520 / 2MP (1920x1080) Substream: 2MP/1MP/D1 Third Stream: 1MP/D1/VGA/360p/240p/CIF (1~30fps) Fourth Stream: D1/VGA/360p/240p/CIF (1~30fps) Fifth Stream: D1/VGA/360p/240p/CIF (1~30fps)
<b>Bit Rate</b>	64Kbps ~ 8Mbps@H.265 / 128Kbps ~ 16Mbps@H.264
<b>Encode Mode</b>	VBR/CBR
<b>Image Quality</b>	Five levels under VBR; Free adjustment under CBR

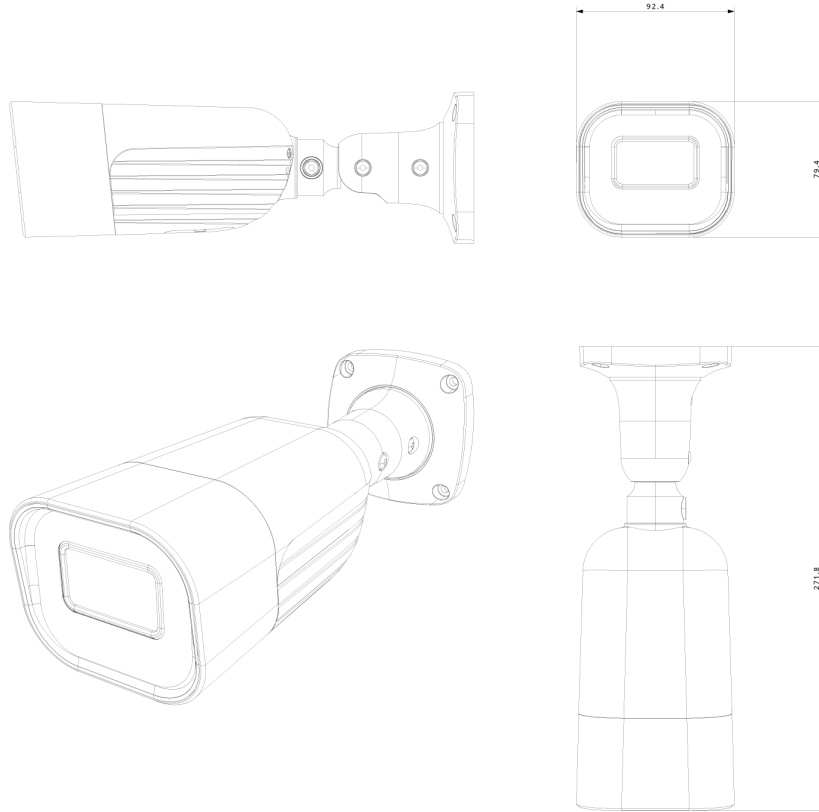
Lens	
<b>Lens (Field of View)</b>	2.8-12mm MVF with Auto Focus (98°-47°)
<b>Iris</b>	DC Iris
<b>Lens Mount</b>	Ø14 Mount
<b>Detect</b>	2.8~12mm(W): 86m(187ft) - 2.8~12mm(T): 190m(374ft)
<b>Recognize</b>	2.8~12mm(W): 17m(63ft) - 2.8~12mm(T): 38m(100ft)
<b>Identify</b>	2.8~12mm(W): 9m(48ft) - 2.8~12mm(T): 19m(66ft)

Network	
<b>User Access</b>	Supports simultaneous monitoring of up to 10 users with multi-stream real-time transmission
<b>Network Protocol</b>	IPv4, IPv6, TCP, UDP, DHCP, NTP, DDNS, SNMP, 802.1X, RTSP, RTMP Multicast, UPnP, Email, FTP, FTPS, HTTPS, QoS, HTTP POST, Auto Report, P2P
<b>Remote Monitoring</b>	IE Browsing (Plug-In required), Chrome/Edge/Safari/Firefox plug-in free browsing, Ossia VMS Software, Provision Cam2 Mobile App *P2P WEB connection always requires Plugin
<b>Ethernet</b>	100Mbps
<b>ONVIF</b>	Profile M/T/S/G

Connectivity	
<b>Network</b>	RJ45 (+PoE)
<b>Audio Connectivity</b>	Built-in Microphone + Audio input + Audio output

<b>Alarm</b>	Alarm in + Alarm out
<b>SD Card</b>	Event/Schedule based Main/Substream recording (Up to 256GB)
<b>Wiegand</b>	No
<b>Power</b>	DC Socket
<b>Analog Video Output</b>	CVBS out + Technician Port
<b>Housing</b>	
<b>PoE</b>	Yes
<b>Illumination</b>	60m (4 High-Power IR LEDs)
<b>Power Supply</b>	DC12V/~850mA / PoE/~13W
<b>Protection Rate</b>	Water Proof: IP67
<b>Work Environment</b>	-30°C~60°C, 10%~90% Humidity
<b>Bracket</b>	3-Axis Bracket
<b>Dimensions</b>	271.8x92.4x79.4mm
<b>Weight (gross)</b>	~1060g
<b>Hard Reset Button</b>	Yes

## DIMENSIONS



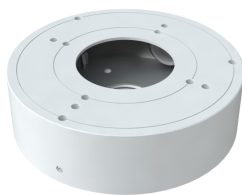
## ACCESSORIES

**IP66**



PR-JB14IP66

**IP64**



PR-JB14IP64

Sinds 2014 gedistribueerd door



**VSS Nederland B.V.**

Telfordstraat 11M

8013 RL Zwolle

Tel: (038) 4289420

Email: [info@vssnederland.nl](mailto:info@vssnederland.nl)

Web: [www.vssnederland.nl](http://www.vssnederland.nl) | [www.provision-isr.nl](http://www.provision-isr.nl)

Facebook

LinkedIn

Youtube

