

Thermal

The advantages of cameras in the thermal series are apparent: they don't depend on light conditions, provide constant imaging any time of day, and can penetrate haze and fog. They're your all-weather, all-area, round-the-clock heat detector that can spot fire, monitor temperature, and even catch camouflaged people and vehicles when entering areas considered off-limits.



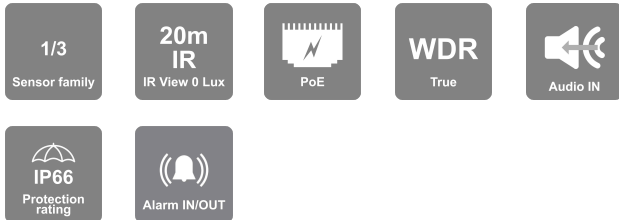
DH-THERMAL-7-V2

Thermal/Optical Bi-Spectrum Fixed Lens Dome/Turret Camera

Ideal for fire detection, temperature monitoring, and security surveillance, this 5MP Thermal camera can detect, alert and provide complete situational awareness in the most challenging environments. The DH-THERMAL-7-V2 incorporates an optic lens and a thermal module, allowing operators to monitor large areas in total darkness, glaring light, and adverse weather by combining thermal and visible light images. Equipped with our DDA™ Analytics (Detect, Distinguish, Alert) and active deterrence mechanisms (white strobe light and speaker), the DH-THERMAL-7-V2 delivers a strong and impactful tool for any installation.

Thermal

5
MP



MAIN FEATURES

- DH-THERMAL-7-V2
- Optical Sensor: 1/2.7" CMOS
- Optical Resolution: 2592×1944 25/30FPS (5MP)
- Thermal Sensor: 12µm Vanadium oxide uncooled focal plane detector
- Thermal Resolution: 256×192
- Temperature Range: -20° ~ 150° C
- Lens: Optical: 8mm (35°) Thermal: 7mm (25°)
- True Day&Night – ICR
- Illumination: 20m (2 High-Power IR LED) + White Strobe light
- Compression: H.265/H.264/MJPEG
- Quantum IoT Nano agent by Check Point™
- General Analytics: Camera Tampering
- AI (Optical Image): AI (Object Recognition): DDA Sterile Area, DDA Line Crossing, DDA Object Counting (Line), DDA Object Counting (Area), DDA Loitering Detection, DDA Illegal Parking Detection
- AI (Face Detection): 10 Faces per frame
- AI (Thermal): DDA Sterile Area, DDA Line Crossing
- Audio Exception
- True WDR (120dB), BLC, HLC, ROI
- SD Card: Event/Schedule Record (Up to 256Gb)
- Alarm in + Alarm out
- Built-in MIC + Speaker + Audio input
- ONVIF: Profile M/T/S/G
- Water Proof: IP66
- Weight: ~730g
- Power: DC12V/~650mA / PoE/~9W



VSSNEDERLAND.NL

SPECIFICATIONS

| Video | |
|--------------------|--|
| Image Sensor | 1/2.7" CMOS |
| Effective Pixels | 2592x1944 |
| Electronic Shutter | 1/23s ~ 1/100000s |
| Day & Night | ICR |
| Min. Illumination | Day: 0.1lux / Night: 0.03lux (@F1.6, AGC on) 0lux with IR on |

| Video (Thermal) | |
|--------------------------------|--|
| Detector Type | 12μm Vanadium oxide uncooled focal plane detector |
| Temperature Range | -20° ~ 150° C |
| Spectral Range | 8μm-14μm |
| Thermal Sensitivity (NETD) | ≤50mK(@25°C, F#=1.0) |
| Color Sets | Black hot, White hot, Rainbow, iron oxide red, Lava Fusion image support |
| Temperature Detection Distance | 7.7m (Object size is 0.1m * 0.1m) In Theory: when the size of the object is doubled - the detection distance is also doubled |
| Fire Detection Distance | 24m (Flame size is 0.1m * 0.1m) In Theory: when the size of the flame is doubled - the detection distance is also doubled |
| DRI Distance Human | Detection: 292m(958ft) Recognition: 73m(240ft) Identification:36m(118ft) |
| DRI Distance Vehicle | Detection: 894m(2933ft) Recognition: 224m(735ft) Identification:112m(367ft) |

| NDAA Compliant | |
|----------------|-----|
| NDAA Compliant | Yes |

| Lens | |
|----------------------|---------------------------------------|
| Lens (Field of View) | Optical: 8mm (35°) Thermal: 7mm (25°) |
| Iris | Fixed Iris |
| Lens Mount | M12 Mount |

| Image | |
|----------------|---|
| Image Settings | AWB, AGC Adjustable, Exposure Mode (Auto) Sharpness, Saturation, Brightness & Contrast Adjustable, Lens distortion correction |

| | |
|--------------------------|---------------------------------|
| Image Enhancement | True WDR (120dB), BLC, HLC, ROI |
| Noise Reduction | 3D-DNR |
| Image Orientation | Mirror/Flip |
| Privacy Zone | Yes |

Housing

| | |
|--------------------------|--|
| Bracket | 3-Axis Bracket |
| Illumination | 20m (2 High-Power IR LED) White Strobe light |
| PoE | Yes |
| Power Supply | DC12V/~650mA / PoE/~9W |
| Protection Rate | Water Proof: IP66 |
| Work Environment | -30°C~60°C, 10%~90% Humidity |
| Dimensions | Ø111.5mm×99.6mm |
| Weight (gross) | ~730g |
| Hard Reset Button | Yes |

Network

| | |
|--------------------------|--|
| Remote Monitoring | IE Browsing, Ossia VMS Software, Provision Cam2 Mobile App |
| User Access | Supports simultaneous monitoring of up to 10 users with multi-stream real-time transmission |
| Network Protocol | IPv4, IPv6, TCP, UDP, DHCP, NTP, DDNS, 802.1X, RTSP, Multicast, UPnP, Email, FTP, HTTPS, QoS, HTTP POST, P2P |
| ONVIF | Profile M/T/S/G |
| Ethernet | 100Mbps |

Events and Analytics

| | |
|-------------------------|--|
| Analytics | General Analytics: Camera Tampering AI (Optical Image): AI (Object Recognition): DDA Sterile Area, DDA Line Crossing, DDA Object Counting (Line), DDA Object Counting (Area), DDA Loitering Detection, DDA Illegal Parking Detection AI (Face Detection): 10 Faces per frame AI (Thermal): DDA Sterile Area, DDA Line Crossing Audio Exception |
| Motion Detection | Yes |

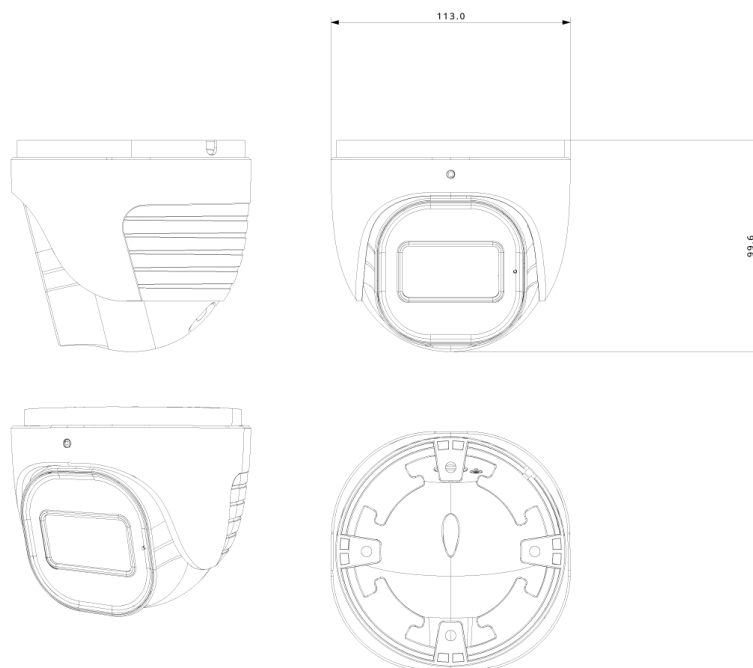
| Connectivity | |
|----------------------------|---|
| Network | RJ45 (+PoE) |
| Audio Connectivity | Built-in MIC + Speaker + Audio input |
| Alarm | Alarm in + Alarm out |
| SD Card | Event/Schedule based Main/Substream recording (Up to 256Gb) |
| Power | PoE / DC Socket |
| Analog Video Output | No |

| Compression | |
|--------------------------|--|
| Video Compression | H.265/H.264/MJPEG |
| Frame Rate | 1-25/30FPS |
| Resolution | 256x192 |
| Multi-Stream | Master Stream: 5MP(2592x1944) / 4MP(2592x1520) / 2K (2560x1440) / 3MP / 2MP / 1MP Substream: 1MP / D1 / CIF / QCIF Third Stream: D1 / CIF / QCIF (1~30fps) Thermal Stream: 1MP / D1 / CIF / QCIF |
| Bit Rate | 64Kbps ~ 11Mbps@H.265 / 64Kbps ~ 11Mbps@H.264 |
| Encode Mode | VBR/CBR |
| Image Quality | Five levels under VBR; Free adjustment under CBR |

| Audio | |
|--------------------------|---------------|
| Audio compression | G.711A/G.711U |
| Communication | 2-Way Audio |

| 3rd Party Cyber Protection | |
|----------------------------|--|
| General | Quantum IoT Nano agent by Check Point™ |
| Protection Methods | Shell injection protection, File Monitor, Import-Table Protection, Dynamic-Memory Protection |

DIMENSIONS



ACCESSORIES



Sinds 2014 gedistribueerd door



VSS Nederland B.V.

Telfordstraat 11M

8013 RL Zwolle

Tel: (038) 4289420

Email: info@vssnederland.nl

Web: www.vssnederland.nl | www.provision-isr.nl



Facebook



LinkedIn



Youtube

