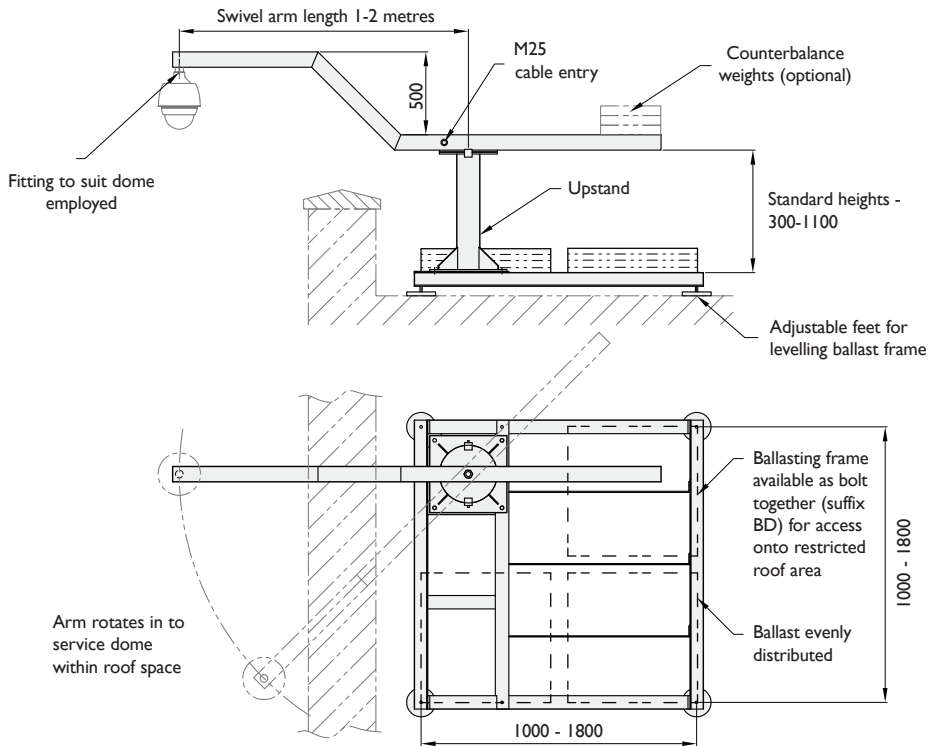


SBI-RM/D

Dome swivel arm roof mounted bracket



Dome Mount Swivel Arm Brackets

Arm Length	Pt No.
1m	● SBI-1000RM/D
1.2m	● SBI-1200RM/D
1.5m	● SBI-1500RM/D
2m	● SBI-2000RM/D

Upstand Heights Available

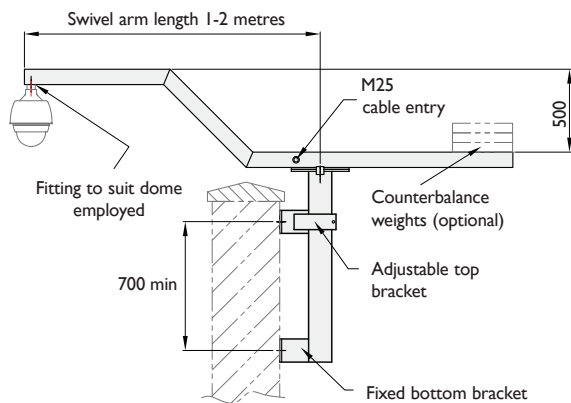
- 300 mm (supplied as standard)
 - 600mm
 - 1100mm
- Other sizes made to order

- Max. camera load 15kgs / 0.15m²
- Typical ballast amount 100 - 320kgs depending on arm length, post height, location and roof height above ground level
- Fittings provided for all dome types - please specify when ordering
- Also available with bolt together frame (suffix /BD) for access onto restricted roof areas. (/BD standard on 1500 + 1800 frames, refer to website for full part no. list)

● Stock items

SBI-PM/D

Dome swivel arm parapet mounting bracket



- Parapets must be of solid construction, ideally pre-cast concrete or steel-framed
- For brick built parapets, single skin construction is not suitable
- Parapets where the brickwork is not in good condition are not suitable
- The minimum parapet height is 1100mm
- The product head load must not be exceeded
- In cases where a greater head load is proposed, Altron must be contacted and suitable advice should be sought regarding parapet construction and strength

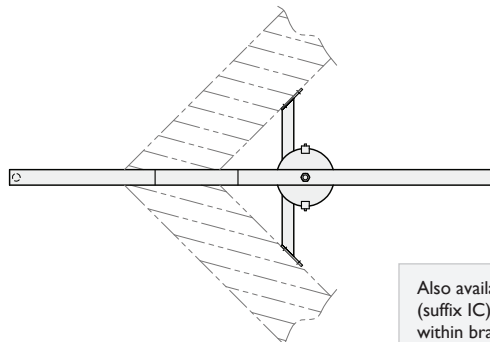
Arm Length	Pt No.
Flat Parapet Mount	
1m	● SBI-1000PM/D
1.2m	● SBI-1200PM/D
1.5m	● SBI-1500PM/D
2m	● SBI-2000PM/D
Corner Parapet Mount	
1m	● SBI-1000PMC/D
1.2m	● SBI-1200PMC/D
1.5m	● SBI-1500PMC/D
2m	● SBI-2000PMC/D

- Fittings provided for all dome types - please specify when ordering

- Max. camera load 15kgs / 0.15m²

SBI-PMC/D

Corner mount option



Also available with internal cable way (suffix IC) so that cabling is concealed within bracket