

## HD PRO

Series marked for the installer looking for a high-level camera emphasizing the difference in image quality. The Pro series cameras are suitable for indoor and outdoor applications where professional video surveillance is required.



# DI-33K0AP-MVF

## 40m IR 3K Motorized Lens Large Dome/Turret Camera

Equipped with a 2.8-12mm motorized lens, this 3K Dome camera is designed for short distance surveillance systems (up to 40m) for both indoor and outdoor scenarios. Featuring 4in1 technology selectable by the camera COC menu, the DI-33K0AP-MVF is ideal for Plug & Play over existing analog infrastructure.



## MAIN FEATURES

- DI-33K0AP-MVF 40m IR 3K Motorized Lens Large Dome/Turret Camera
- Sensor: 1/2.5" 3K CMOS Sensor
- Selectable Output: 3K: 2592×1944 AHD/TVI 4MP: 2560×1440 AHD/TVI/CVI CVBS: 700TVL
- Lens: 2.8-12mm Mega-Pixel Motorized Vari-Focal (104°-38°)
- True Day&Night-ICR
- Digital WDR

- 3D-DNR/Digital WDR/HLC/BLC
- Illumination: 40m (1 High-Power IR LED)
- IP67
- Weight: 690g
- Power: DC12V/450mA



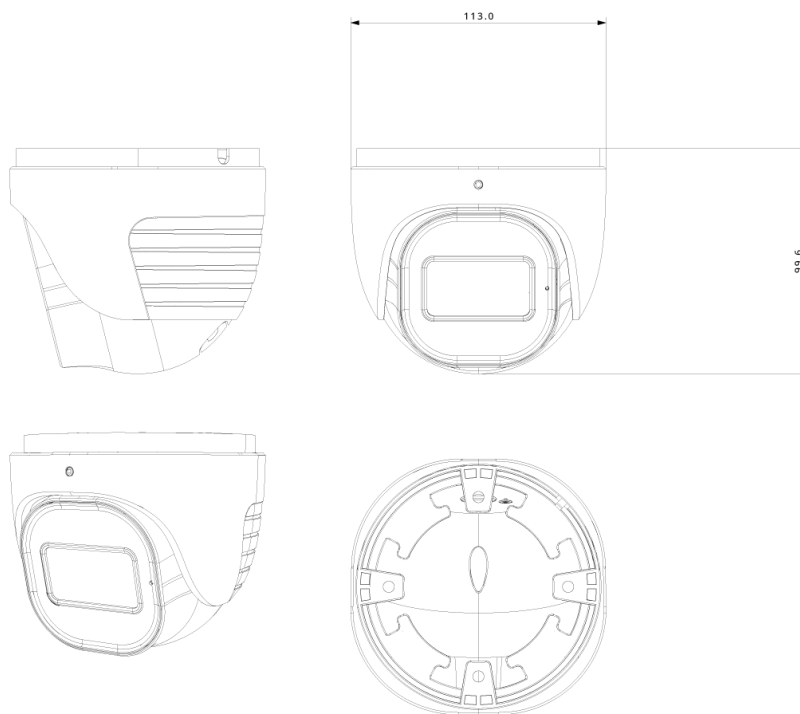
VSSNEDERLAND.NL

## SPECIFICATIONS

Video	
Image Sensor	1/2.5" 3K CMOS Sensor
Image Format	16:9
Effective Pixels	2944 × 1656
Scanning System	Progressive
Min. Illumination	Color : 0.01lux @F1.2, AGC ON B/W : 0lux with IR
Day & Night	True Day&Night-ICR
Day & Night Modes	Ext/Auto/Day/Night
Compression	
Resolution	3K: 2592x1944 AHD/TVI 4MP: 2560x1440 AHD/TVI/CVI CVBS: 700TVL
Frame Rate	3K @ 20FPS, 4MP @ 25FPS
Image	
Backlight Compensation	BLC/HLC
S/N Ratio	≥52dB (AGC OFF)
Privacy Zone	no
Noise Reduction	3D-DNR
Image Enhancement	Digital WDR, BLC, HLC
On Screen Data	
CoC Support	Yes
OSD Menu	Available via CoC Only
Lens	
Field of View	2.8-12mm Mega-Pixel Motorized Vari-Focal (104°-38°)
Iris	DC Iris
Lens Mount	Ø14 Mount

Connectivity	
Video Output	3K / 4MP (Selected by OSD Menu) AHD/TVI/CVI/CVBS + PAL/NTSC (Selected by OSD Menu)
Audio Connectivity	N/A
Housing	
Illumination	40m (1 High-Power IR LED)
Bracket	3-Axis Bracket
Protection Rate	IP67
Dimensions	Φ113*99.6mm
Weight (gross)	690g
Power	DC12V/450mA
Work Environment	-30°C ~ 50°C , 10% ~ 90% humidity

## DIMENSIONS



## ACCESSORIES



2024-09 Wijzigingen voorbehouden!

Sinds 2014 gedistribueerd door:

**VSS Nederland B.V.**

Tel. +31 (0)38 42 89 420

E-mail [info@vssnederland.nl](mailto:info@vssnederland.nl)

Website [www.vssnederland.nl](http://www.vssnederland.nl) | [www.provision-isr.nl](http://www.provision-isr.nl)



**VSS NEDERLAND**  
VIDEO SYSTEMS