

Eye-Sight

This series is designed for security professionals and offers superior image quality, advanced AI analytics, seamless connectivity, and unparalleled insight and protection, with options and configurations to meet specific needs. The Check Point Quantum IoT Nano and DDA2 Analytics provide detailed attribute analysis and advanced threat prevention.

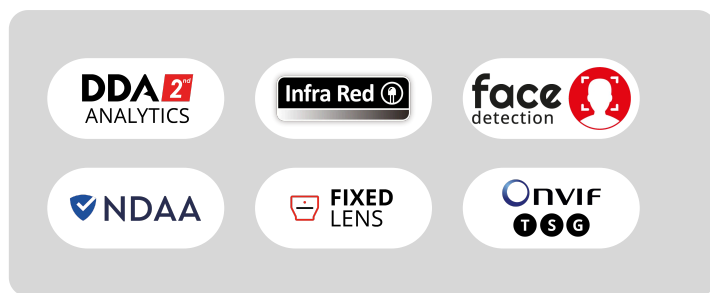
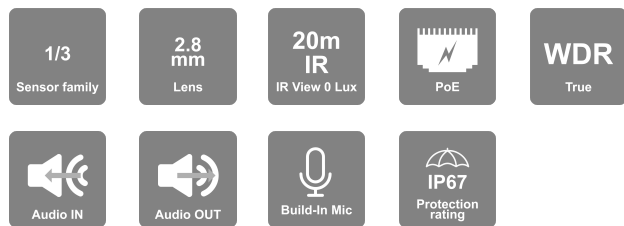


DI-360IPEN-28-V4

20m IR 6mp DDA Analytics Fixed Lens Small Dome/Turret Camera With Built-in Check Point Protection and Dual System technology

Equipped with a 2.8mm fixed lens, this 6MP camera is designed for short-distance surveillance (up to 20m) in indoor and outdoor scenarios. Fitted with the new "Dual System" technology, the camera can deal with internal anomalies independently, making it more redundant to software-based issues. The camera offers broad possibilities for Analytics, from Face Detection to the outstanding DDA Analytics (Detect, Distinguish, Alert) and the newly developed DDA2, which can perform object recognition, object counting, and investigate specifics such as age, color, gender, vehicle brand and much more. The DI-360IPEN-28-V4 camera is here to end false alarms. Check Point Quantum IoT Nano agent is integrated into this model. It provides an advanced threat prevention layer against the common attack vectors at runtime.

6
MP



MAIN FEATURES

- DI-360IPEN-28-V4
- Sensor: 1/2.5" CMOS (16:9)
- Resolution: 3296x1856 25/30FPS (6MP)
- Lens: 2.8mm (104°)
- True Day&Night – ICR
- Illumination: 20m (1 High-Power IR LED)
- Compression: H.265+ / H.264+ / H.265 / H.264 / MJPEG
- Quantum IoT Nano agent by Check Point™
- General Analytics: Camera Tampering
- AI (Object Recognition): DDA Sterile Area, DDA Line Crossing, DDA Object Counting (Line), DDA Object Counting (Area), DDA Loitering Detection, DDA Illegal Parking Detection

- AI (Face Detection): 10 Faces per frame
- AI: Heatmap
- DDA2: Advanced Object Classification
- True WDR (120dB), BLC, HLC, ROI
- SD Card: Event/Schedule Record (Up to 256Gb)
- Built-in Microphone + Audio input + Audio output
- ONVIF: Profile T/S/G
- Water Proof: IP67
- Weight: ~540g
- Power: DC12V/~500mA / PoE/~6.5W



SPECIFICATIONS

| 3rd Party Cyber Protection | |
|----------------------------|---|
| General | Quantum IoT Nano agent by Check Point™ |
| Protection Methods | Shell injection protection, File Monitor, Import-Table Protection, Dynamic-Memory Protection |
| NDAA Compliant | |
| NDAA Compliant | Yes |
| Video | |
| Image Sensor | 1/2.5" CMOS (16:9) |
| Effective Pixels | 3296x1856 |
| Electronic Shutter | 1/4s ~ 1/100000s |
| Day & Night | ICR |
| Min. Illumination | 0.008lux (@F1.6, AGC on) 0lux with IR on |
| Audio | |
| Audio compression | G.711A/G.711U |
| Communication | Two-Way Audio |
| Image | |
| Image Settings | AWB, AGC Adjustable, Exposure Mode (Auto) Sharpness, Saturation, Brightness & Contrast Adjustable |
| Image Enhancement | True WDR (120dB), BLC, HLC, ROI |
| Noise Reduction | 3D-DNR |
| Image Orientation | Mirror/Flip, Corridor Mode |
| Privacy Zone | Yes |
| Events and Analytics | |
| Analytics | General Analytics: Camera Tampering AI (Object Recognition): DDA Sterile Area, DDA Line Crossing, DDA Object Counting (Line), DDA Object Counting (Area), DDA Loitering Detection, DDA Illegal Parking Detection AI (Face Detection): 10 Faces per frame AI: Heatmap DDA2: Advanced Object Classification |
| Motion Detection | Yes |
| Compression | |

| | |
|--------------------------|--|
| Resolution | 6MP (3296x1856) / QHD (3200x1800) / 2880x1624 / 2688x1520 / 2MP (1920x1080) / 1MP (1280x720) / D1 (704x576) / CIF (352x288) |
| Frame Rate | 1-25/30FPS |
| Video Compression | H.265+ / H.264+ / H.265 / H.264 / MJPEG** |
| Multi-Stream | Master Stream: 6MP(3296x1856) / QHD (3200x1800) / 2880x1624 / 2688x1520 / 2MP (1920x1080) Substream: 1MP/QVGA/D1/CIF Third Stream: QVGA/D1/CIF (1~30fps) |
| Bit Rate | 64Kbps ~ 8Mbps@H.265 / 128Kbps ~ 10Mbps@H.264 |
| Encode Mode | VBR/CBR |
| Image Quality | Five levels under VBR; Free adjustment under CBR |

| Lens | |
|-----------------------------|--------------|
| Lens (Field of View) | 2.8mm (104°) |
| Iris | Fixed Iris |
| Lens Mount | M12 Mount |
| Detect | 71m(232ft) |
| Recognize | 14m(46ft) |
| Identify | 7m(23ft) |

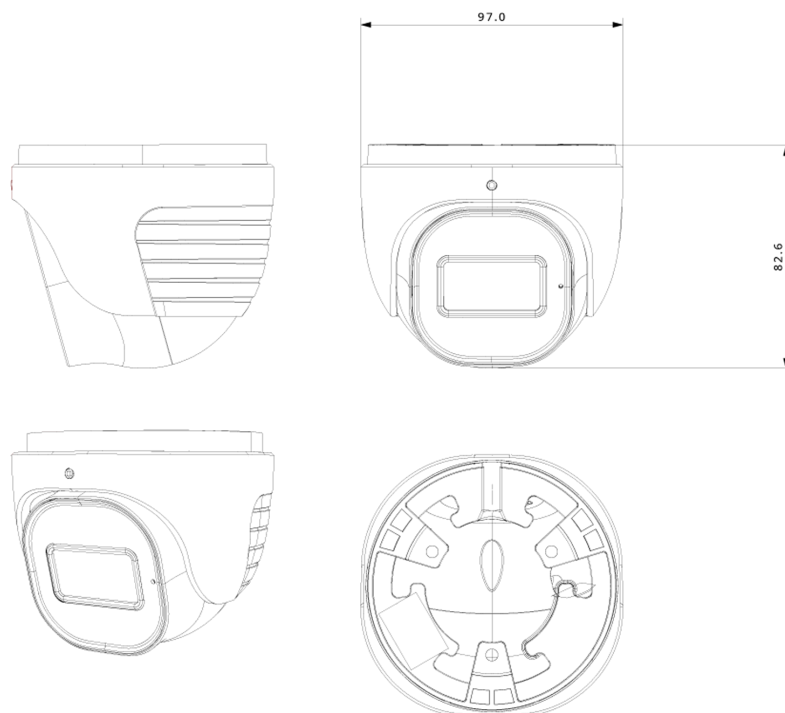
| Network | |
|--------------------------|--|
| User Access | Supports simultaneous monitoring of up to 10 users with multi-stream real-time transmission |
| Network Protocol | IPv4, IPv6, TCP, UDP, DHCP, NTP, DDNS, 802.1X, RTSP, RTMP Multicast, UPnP, Email, FTP, FTPS, SFTP, HTTPS, QoS, HTTP POST, Auto Report, P2P |
| Remote Monitoring | IE Browsing (Plug-In required), Chrome/Edge/Safari/Firefox plug-in free browsing, Ossia VMS Software, Provision Cam2 Mobile App |
| Ethernet | 100Mbps |
| ONVIF | Profile T/S/G |

| Connectivity | |
|---------------------------|--|
| Network | RJ45 (+PoE) |
| Audio Connectivity | Built-in Microphone + Audio input + Audio output |

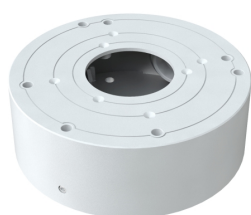
| | |
|----------------------------|---|
| Alarm | No |
| SD Card | Event/Schedule based Main/Substream recording (Up to 256Gb) |
| Wiegand | No |
| Power | DC Socket |
| Analog Video Output | No |

| Housing | |
|--------------------------|------------------------------|
| PoE | Yes |
| Illumination | 20m (1 High-Power IR LED) |
| Power Supply | DC12V/~500mA / PoE/~6.5W |
| Protection Rate | Water Proof: IP67 |
| Work Environment | -30°C~60°C, 10%~90% Humidity |
| Bracket | 3-Axis Bracket |
| Dimensions | Ø97mm×82.6mm |
| Weight (gross) | ~540g |
| Hard Reset Button | Yes |

DIMENSIONS



ACCESSORIES



PR-JB12IP64



PR-JB12IP66



PR-WB-A

2024-07 Wijzigingen voorbehouden!

Sinds 2014 gedistribueerd door:

VSS Nederland B.V.

Tel. +31 (0)38 42 89 420

E-mail info@vssnederland.nl

Website www.vssnederland.nl | www.provision-isr.nl



VSS NEDERLAND
VIDEO SYSTEMS