

## Smart-Sight

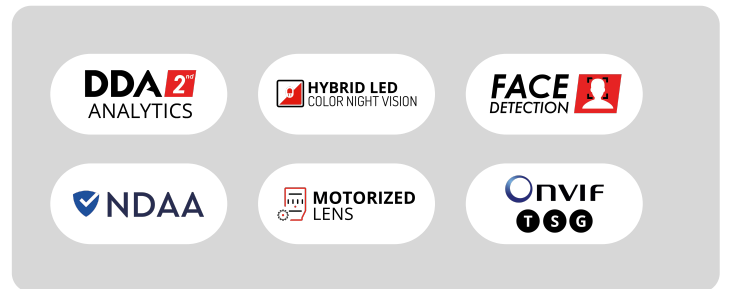
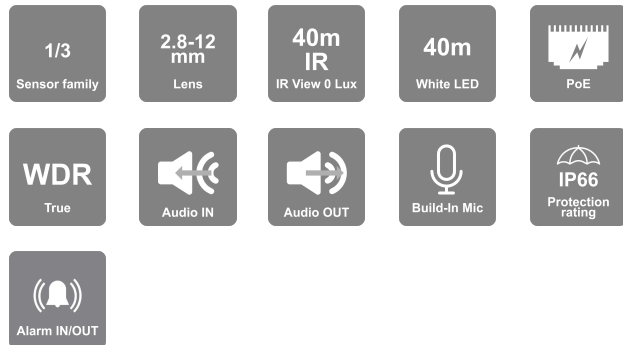
The series offers a range of AI Cameras for diverse surveillance needs. Every camera delivers superior performance and accuracy with advanced technology and purposeful design. Each component is chosen for seamless integration and optimal functionality. Whether it's fixed or motorized lenses, License Plate Recognition, or Thermal cameras, The Smart-Sight series is for you.



# DH-340ADN-MVF-V4

## 40m IR 4MP Active Deterrence Motorized Lens Large Dome/Turret Camera With Built-in Check Point Protection and Dual System Technology

Active deterrence cameras are designed to deter unwanted visitors by activating visual and audio alerts. Equipped with a 2.8-12mm motorized lens, this 4MP Dome/Turret camera is intended for medium-distance surveillance (up to 40m) in indoor and outdoor scenarios. This model complies with NDAA demands and ensures your device is cyber-protected round the clock with the integrated Check Point Quantum IoT Nano agent that provides an advanced threat prevention layer against the common attack vectors at runtime. The camera offers broad possibilities for Analytics, from Face Detection to the outstanding DDA Analytics (Detect, Distinguish, Alert) and the newly developed DDA2, which can perform object recognition, object counting, and investigate specifics such as age, color, gender, vehicle brand and much more. With various detection rules and triggers, the DH-340ADN-MVF-V4 camera is here to end false alarms.



## MAIN FEATURES

- DH-340ADN-MVF-V4
- Sensor: 1/3" CMOS (16:9)
- Resolution: 2592×1520 25/30FPS (4MP)
- Lens: 2.8-12mm MVF with Auto Focus (95°-32°) ICR + 24/7 Full-Color Day Mode
- Illumination: 40m (1 High-Power IR LED) + 40m (1 High-Power White LEDs) + Red/Blue Strobe Lights
- Compression: H.265+ / H.264+ / H.265 / H.264 / MJPEG
- Quantum IoT Nano agent by Check Point™
- General Analytics: Camera Tampering
- AI (Object Recognition): DDA Sterile Area, DDA Line Crossing, DDA Object Counting (Line), DDA Object Counting (Area)
- AI (Face Detection): 10 Faces per frame
- AI: Heatmap
- DDA2: Advanced Object Classification
- True WDR (120dB), BLC, HLC, ROI
- SD Card: Event/Schedule Record (Up to 256Gb)
- Alarm in + Alarm Out
- Built-in Microphone + Audio input + Audio output
- ONVIF: Profile T/S/G
- Water Proof: IP66
- Weight: ~750g
- Power: DC12V/~850mA / PoE/~12.5W

## SPECIFICATIONS

3rd Party Cyber Protection	
<b>General</b>	Quantum IoT Nano agent by Check Point™
<b>Protection Methods</b>	Shell injection protection, File Monitor, Import-Table Protection, Dynamic-Memory Protection
NDAA Compliant	
<b>NDAA Compliant</b>	Yes
Video	
<b>Image Sensor</b>	1/3" CMOS (16:9)
<b>Effective Pixels</b>	2592×1520
<b>Electronic Shutter</b>	1/3s ~ 1/100000s
<b>Day &amp; Night</b>	ICR + 24/7 Full-Color Day Mode
<b>Min. Illumination</b>	0.02lux (@F1.4, AGC on) 0lux with IR on
Audio	
<b>Audio compression</b>	G.711A/G.711U
<b>Communication</b>	Two-way Audio
Image	
<b>Image Settings</b>	AWB, AGC Adjustable, Exposure Mode (Auto) Sharpness, Saturation, Brightness & Contrast Adjustable
<b>Image Enhancement</b>	True WDR (120dB), BLC, HLC, ROI
<b>Noise Reduction</b>	3D-DNR
<b>Image Orientation</b>	Mirror/Flip, Corridor Mode
<b>Privacy Zone</b>	Yes
Events and Analytics	
<b>Analytics</b>	General Analytics: Camera Tampering AI (Object Recognition): DDA Sterile Area, DDA Line Crossing, DDA Object Counting (Line), DDA Object Counting (Area) AI (Face Detection): 10 Faces per frame AI: Heatmap DDA2: Advanced Object Classification
<b>Motion Detection</b>	Yes
Compression	

<b>Resolution</b>	4MP / 2K / 3MP / 2MP / 1MP / D1 / QVGA / CIF
<b>Frame Rate</b>	1-25/30FPS
<b>Video Compression</b>	H.265+/ H.264+ / H.265 / H.264 / MJPEG**
<b>Multi-Stream</b>	Master Stream: 4MP(2592x1520) / 2K (2560x1440) / 3MP / 2MP / 1MP Substream: 1MP/QVGA/D1/CIF Third Stream: QVGA/D1/CIF (1~30fps)
<b>Bit Rate</b>	128Kbps ~ 7Mbps@H.265 / 256Kbps ~ 8Mbps@H.264
<b>Encode Mode</b>	VBR/CBR
<b>Image Quality</b>	Five levels under VBR; Free adjustment under CBR

<b>Lens</b>	
<b>Lens (Field of View)</b>	2.8-12mm MVF with Auto Focus (95°-32°)
<b>Iris</b>	DC Iris
<b>Lens Mount</b>	Ø14 Mount
<b>Detect</b>	2.8~12mm(W): 60.09m(197.14ft) - 2.8~12mm(T): 175.72m(576.50ft)
<b>Recognize</b>	2.8~12mm(W): 12.01m(39.40ft) - 2.8~12mm(T): 35.14m(115.28ft)
<b>Identify</b>	2.8~12mm(W): 6.00m(19.68ft) - 2.8~12mm(T): 17.57m(57.64ft)

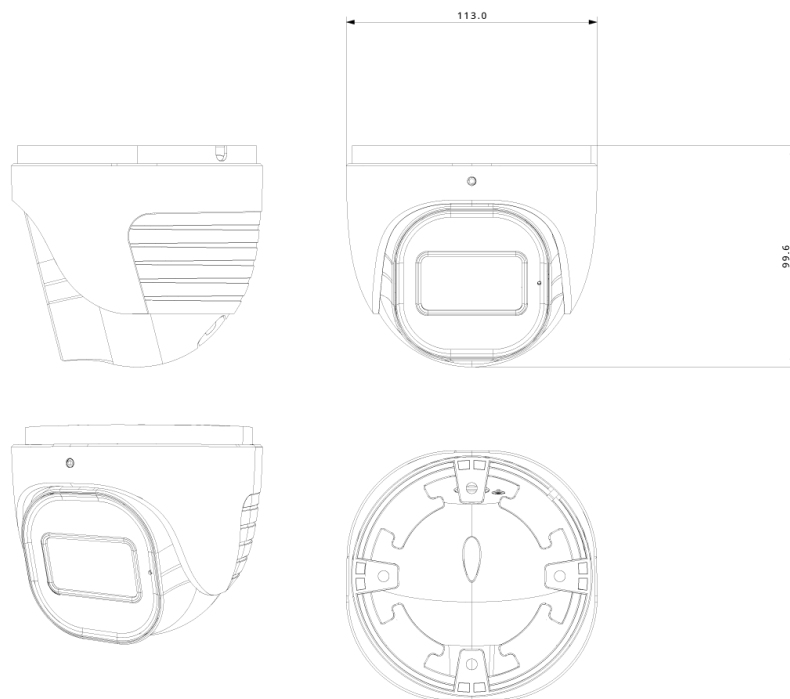
<b>Network</b>	
<b>User Access</b>	multi-stream real time transmission
<b>Network Protocol</b>	SNMP
<b>Remote Monitoring</b>	IE Browsing (Plug-In required), Chrome/Edge/Safari/Firefox plug-in free browsing, Ossia VMS Software, Provision Cam2 Mobile App
<b>Ethernet</b>	100Mbps
<b>ONVIF</b>	Profile T/S/G

<b>Connectivity</b>	
<b>Network</b>	RJ45 (+PoE)
<b>Audio Connectivity</b>	Built-in Microphone + Audio input + Audio output

<b>Alarm</b>	Alarm in + Alarm Out
<b>SD Card</b>	Event/Schedule based Main/Substream recording (Up to 256Gb)
<b>Wiegand</b>	No
<b>Power</b>	DC Socket
<b>Analog Video Output</b>	No

<b>Housing</b>	
<b>PoE</b>	Yes
<b>Illumination</b>	40m (1 High-Power IR LED) 40m (1 High-Power White LEDs) Red/Blue Strobe Lights
<b>Power Supply</b>	DC12V/~850mA / PoE/~12.5W
<b>Protection Rate</b>	Water Proof: IP66
<b>Work Environment</b>	-30°C~60°C, 10%~90% Humidity
<b>Bracket</b>	3-Axis Bracket
<b>Dimensions</b>	Ø113mm×99.6mm
<b>Weight (gross)</b>	~750g
<b>Hard Reset Button</b>	Yes

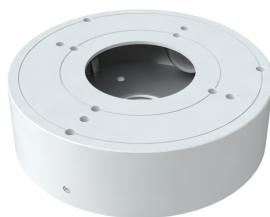
## DIMENSIONS



## ACCESSORIES



PR-WB-A



PR-JB14IP64



PR-JB14IP66

Wijzigingen ten alle tijden voorbehouden!

Sinds 2014 gedistribueerd door



**VSS Nederland B.V.**

Telfordstraat 11M

8013 RL Zwolle

Tel: (038) 4289420

Email: [info@vssnederland.nl](mailto:info@vssnederland.nl)

Web: [www.vssnederland.nl](http://www.vssnederland.nl) | [www.provision-isr.nl](http://www.provision-isr.nl)

Facebook

LinkedIn

Youtube

