



Type: Panoramic - IP - Camera

Item Code: GU-CI-AP20527Q

EAN CODE: 4260573064960

SMART

The SMART product line offers comprehensive coverage of modern video systems with advanced AI analysis and solutions for various application areas.

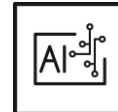
Highlights

Objekt Classification



This technology employs a highly advanced deep learning algorithm that can discern whether the alarm was triggered by a human, a vehicle or some other object.

Deep Learning



Deep Learning is inspired by the complex structure of the human brain. This innovative method allows processing of information and performing corresponding actions based on analysis.

Smart Line

At GRUNDIG Security, we pride ourselves on delivering products you can depend on. Our SMART Line represents cutting-edge technology, with artificial intelligence powering a variety of image analysis functions. With facial recognition, our cameras can identify people with ease, while the LPR function recognizes license plates without fail. You can even modify the system to reduce the number of false alarms you receive, classifying objects as "Vehicle," "Person," or "Other."

Our SMART cameras go beyond basic surveillance, too. They're equipped to recognize faces, count people, and assess queue length - perfect for optimizing resource management in busy environments like supermarkets. And with advanced alerts, you're promptly informed of unauthorized activity, whether people cross restricted lines or enter restricted areas. You can even receive alerts for items left on your doorstep.

NDAA compliant

GRUNDIG Security's SMART line is fully compliant with the National Defense Authorization Act (NDAA), which prohibits U.S. federal agencies and their partners from using video surveillance and telecommunications equipment or services from certain Chinese companies. This law is part of the John S. McCain NDAA and is effective August 2020.

With our SMART product line, you can be confident that your security system complies with this important regulation. Our products meet the highest standards of quality and reliability, providing you with the security you need to protect your assets and personnel.

Features

- Audio Communication & Alarm Input / Output
- IP Camera with 4 x 5 MP movable lens = 20 Megapixel in total
- 0 Lux: Integrated LED IR Illuminator viewable distance up to 30m

Specifications GU-CI-AP20527Q

Camera

Image Sensor:	1/2.7" progressive Scan CMOS
Resolution (MP):	20 MP
Video Resolution:	2880 x 1620
Sensitivity Colour:	0.006 Lux @ F1.2 (AGC ON)
Sensitivity B/W:	0 Lux LED IR on
Shutter Speed:	1/5 ~ 1/20000 s
White Balance:	Auto , Manual

Lens

Lens Focal Length:	4 x movable lenses 2.8 ~ 12 mm motorized, autofocus
Iris F-Number:	F1.3
Lens Mount:	Ø16.7
Lens Drive Type:	Auto Iris (DC)
Field of View:	112° ~ 35° (horizontal), 58° ~ 20° (vertical), 137° ~ 41° (diagonal)

Illuminator

Max. IR Distance:	Up to 30 m
-------------------	------------

Video

Col/B&W:	On, Off, Auto, IR-cut filter removable (ICR)
Wide Dynamic Range:	120 dB
Image Enhancement:	BLC, 3D DNR, HLC
Day/Night Switch:	Support auto, scheduled, day, night, Image

Audio

Audio Compression:	G.711
Environment Noise Filtering:	yes

Network

Video Compression:	H.264, H.264+, H.265, H.265+ , MJPEG
Region of Interest:	8 fixed regions for each stream
H.264 code profile:	Baseline Profile / Main Profile / High Profile
Bit Rate:	8 Kbps to 16 Mbps
SD Memory:	Micro SD/SDHC/SDXC card slot with ANR (up to 256G), NAS (Support NFS, SMB/CIFS)
Web Browser:	Plug-in required live view: IE10/IE11 Non Plug-in live view: Chrome 57+, Mozilla Firefox 52+, EDGE 89+ Local Service: Chrome 57+, Firefox 52+, EDGE 89+
Frame Rate:	Main Stream 50 Hz: 25 fps (2592 × 1944, 2592x1520,2304 × 1296, 1920 × 1080, 1280 × 960) 60 Hz: 30fps:(2592 × 1944, 2592x1520,2304 × 1296, 1920 × 1080, 1280 × 960) Sub Stream 50 Hz: 25 fps (1920x1080, 1280x720,640 × 480) 60 Hz: 30 fps (1920x1080, 1280x720,640 × 480) Third stream 50Hz: 25fps: (640x480, 320x240) 60Hz: 30fps: (640x480, 320x240)
Reset Button:	yes

I/O Interface

Audio Input/Output:	1-ch audio input and 1-ch audio output
Alarm Input/Output:	2, 2
Network Interface:	1x 10, 100, 1000 Base T, TX (RJ-45)

Intelligent Functions

People & Vehicle Detection:	Adjustable whether people, motorized or non-motorized vehicles should be detected.
Intrusion Detection:	Enter and loiter in a pre-defined virtual region
Line Crossing:	Cross a pre-defined virtual line with target classification Pedestrian and or Motor vehicle can be configured.
Region Entrance:	Enter a pre-defined virtual region from the outside place
Region Exiting:	Exit from a pre-defined virtual region
Unattended Baggage:	Objects left over in the pre-defined region such as the baggage, purse, dangerous materials
Object Removal:	Detects objects left over or lost in the pre-defined region such. In this case an alarm notification or signal will be sent automatically and in real time.
Face Detection:	Face recognition in real time and instantly match them against a watchlist
Face Recognition:	Detects and recognizes faces by comparing them to stored portrait images. Actions can be triggered via the allowed, blocked and other list
License Plate Recognition:	Detects and recognizes car number plates. (Data- import- export function, actions can be triggered via the allowed, blocked and other list, only supported with insert SD-Card).
Heat Map:	Visualizes the number of people in the surveillance area over a period of time with a simple and user-friendly color scheme
Queue Length Detection:	Counts people in a predefined area and measures service time. The area, the maximum number of people in it and the maximum service time can be set
Limits of intelligent functions:	Only one of the AI functions can be selected at a time
Event Source:	A variety of internal or external events can trigger actions such as alarm contacts, motion detection, video analytics parameters etc.
Event Action:	Recording: Pre-event, post-event memory card and/or network storage. Picture upload: FTP, HTTP and NAS. Trigger E-mail notification: HTTP, ISAPI. Audio alarm, white light alarm, alarm output and notification to C-WERK VMS. Events are depending on schedule settings.

Approvals

Protection Rating:	IP67 (IEC 60529-2013), IK10 (IEC 62262:2002)
Regulation:	CE, FCC, RoHS Compliant
Standard:	ONVIF (Profile S, Profile G, Profile T), SDK/API

Environmental

Operating Temperature:	-30 °C ~ +55 °C (-22 °F ~ 131 °F)
Humidity:	Less than 95%, non condensing

Electrical

Supply Voltage:	12 VDC, 24 VAC, PoE (IEEE 802.3bt)
Power Consumption:	Max. 34 W

Mechanical

Mount:	Four flexible lens in one track, slide range -60° to 60°, tilt: 0° to 90°, rotate 0° to 355°
Dimensions:	∅ 300 × 195 mm (∅ 11.8 × 7.7 inch)
Weight:	4700 g (10.3lb)

Packaging

Package Dimensions:	500 x 395 x 385 mm (19.7 x 15.6 x 15.2 inch)
Package Weight:	8200 g (18.1 lbs)
Packaging Unit:	1

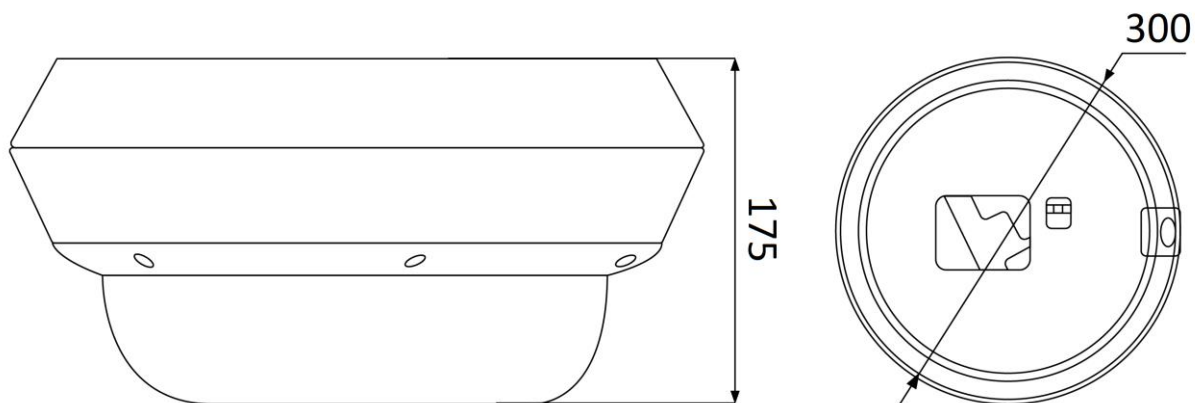
Accessories

Accessories



GU-BR-AMW03

Dimensions



Guarantee

All cameras in the “SMART”, “PRO” and “PREMIUM” product lines have an extended warranty period of 5 years on electronic parts, mechanical wear and tear on moving parts is not included. Please note our general delivery terms and conditions.