

SC-IPS08P

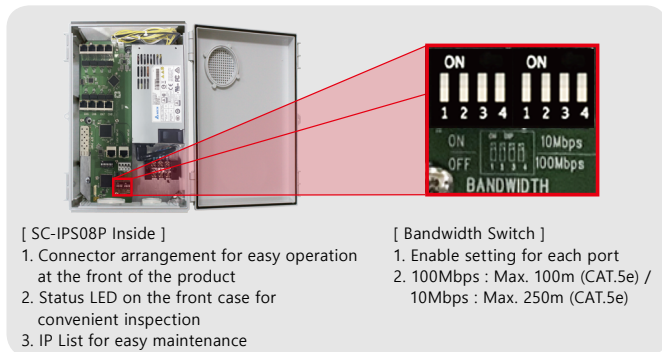
8 Poort PoE Switch in behuizing

SC-IPS08P is a 8 port PoE switch hub which supplies PoE (IEEE802.3at / IEEE802.3af) to IP PoE camera. With 2 RJ-45 and 1 SFP Gigabit uplink ports, it transmits multi-channel Ethernet data to NVR or server in real time. Also, this high-performance product is convenient for maintenance due to the availability of remote control of SNMP (option) or RS-485 communication.

Features

- Switch hub with 8 port PoE supply
 - Wall mount junction box type for easy maintenance and diagnosis
- Enable supplying power(PoE, PoE+) to IP camera
- Built-in giga uplink Port (RJ-45 * 2, SFP * 1)
- Remote status check and control with SNMP (optioneel)
- Remote control with RS-485 port (Reset, On/Off available)
- Built-in LED display for each port status check
- Automatic recovery function in case of device failure (auto reset)
- Solid ABS type case for stable and easy installation
- Built-in 10/100Mbps bandwidth switch(extension switch) for transmission bandwidth optimization
 - 100Mbps : Max. 100m (CAT.5e) / 10Mbps : Max. 250m (CAT.5e)
- Built-in surge protection circuit
- Enables status monitoring and remote control of connected network devices with 'Device Management' software
(※ Optional Management program license is available.)

SC-IPS08P Inside



[SC-IPS08P Inside]

1. Connector arrangement for easy operation at the front of the product
2. Status LED on the front case for convenient inspection
3. IP List for easy maintenance

[Bandwidth Switch]

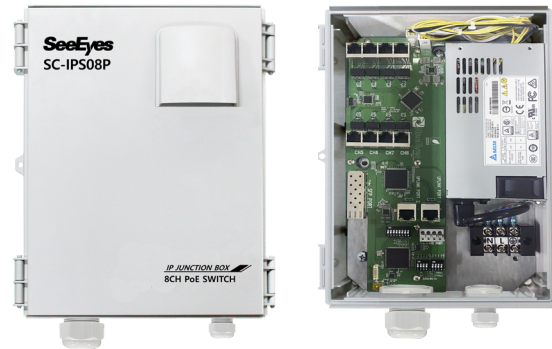
1. Enable setting for each port
2. 100Mbps : Max. 100m (CAT.5e) / 10Mbps : Max. 250m (CAT.5e)

Specifications

MODEL		SC-IPS08P	
Power Input		AC 100V~240V / 6A	
PoE Output		55V/4A (Max. 30W/Port, Total Max. 220W)	
PoE Standard		PoE IEEE 802.3 af/at Endspan(Type A)	
Power Consumption		4.4W	
Transmission Distance (Max.)	10Mbps	Max. 250m by CAT.5e (Switch ON)	
	100Mbps	Max. 100m by CAT. 5e (Default / Switch OFF)	
Transmission Bandwidth (Max.)	Camera Side (Downlink)	10/100Mbps (Full duplex)	
	NVR Side (Uplink)	1000Mbps (Full duplex)	
RJ-45 Connector Pin Assignment (Polarity)	Uplink	1Pin : BI_DA+, 2Pin : BI_DA-, 3Pin : BI_DB+, 4Pin : BI_DC-, 5Pin : BI_DC+, 6Pin : BI_DB-, 7Pin : BI_DD+, 8Pin : BI_DD-	
	Downlink	1Pin: TX(+)/PWR(+), 2Pin: TX(-)/PWR(+), 3Pin: RX(+)/PWR(-), 6Pin: RX(-)/PWR(-)	
LED Display	Camera Side (Downlink)	Yellow (PoE)	ON : Power Input, OFF : Not used
		Green (Link/Act)	ON : Link connected, Flicker : Data In/Output, OFF : No Link connected
	NVR Side (Uplink)	Yellow (Link)	ON : Connected to NVR or external network device OFF : Not connected to NVR or external network device
		Green (Act)	Flicker : Data In/Output, OFF : No Data Input
SFP Port	Green	ON : Link connected, Flicker : Data In/Output, OFF : No Link connected	
Connection Port	Camera/NVR Side	RJ-45 8/2Port (TIA/EIA568B Type)	
	SFP Port	SFP Connector 1Port	
	RS-485	Terminal Block 4Pin	
Temperature / Humidity		-10°C ~ +45°C / 0 ~ 70%	
Case Body / Weight		ABS / 2.7Kg	
Dimensions(mm)		200(W) x 300(H) x 130(D)	

Device Management

[SC-IPS08P]



Device Management Program - DM016

IPS Series Monitoring



[SC-IPS08P]

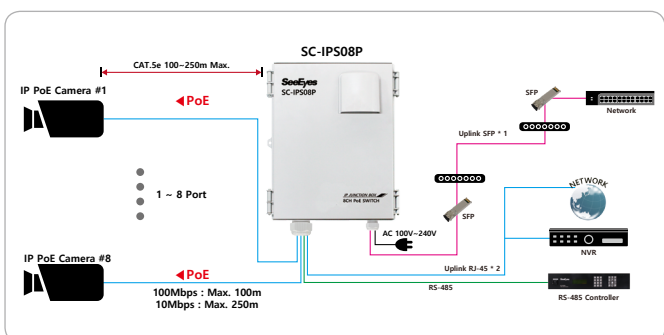


[SC-IPS24P]

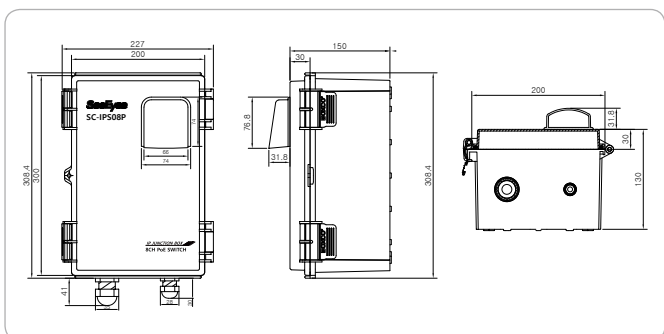
E-MAP Configuration



Application



Dimensions



wijzigingen voorbehouden