



EN

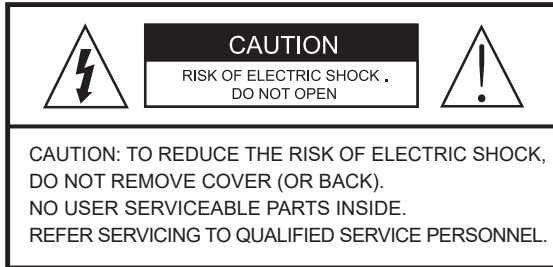
User Manual

**1/2.8" Network Camera,
1920x1080, Day&Night, DOL-WDR,
5.0-50mm, Infrared, IP67**

ICB-62M0550MAA

Safety Precaution

To prevent electric shocks and risk of fire hazards, do NOT use other than specific power source.



The symbol is intended to alert the user to the presence of uninsulated "dangerous voltage" within the product's enclosure that may be of sufficient magnitude to constitute a risk of electric shock to persons.



The symbol is intended to alert the user to the presence of important operating and maintenance(servicing) instructions in the literature accompanying the unit.

- **Warning :**

This equipment has been tested and found to comply with the limits for a Class A digital device, pursuant to part 15 of the FCC Rules. These limits are designed to provide reasonable protection against harmful interference when the equipment is operated in a commercial environment. This equipment generates, uses, and can radiate radio frequency energy and, if not installed and used in accordance with the instruction manual, may cause harmful interference to radio communications. Operation of this equipment in a residential area is likely to cause harmful interference in which case the user will be required to correct the interference at his own expense.

- **Caution :**

Any changes or modifications in construction of this device which are not expressly approved by the party responsible for compliance could void the user's authority to operate the equipment.

Mains power quality should be that of a typical commercial environment. If the user of the model requires continued operation during power mains interruptions, it is recommended that the model be powered from an uninterruptible power supply (UPS) or a battery.

Safety Precaution

NOTICE

- The image used in this instruction manual are processed to help comprehension and may differ from actual video of the camera.
- Avoid installing areas where has shock or vibration which results in the problems.
- Pay attention to safety when laying the connection cable and observe that the cable is not subjected to heavy loads, kinks or damage and no moisture can get in.
- Never open the device such as boards or lens.
The warranty becomes void if repairs are undertaken by unauthorized persons.
- Maintenance and repair have to be carried out only by authorized service centers.
- Use only a mild detergent to clean the housing body.
- The camera should never be operated beyond the technical specifications.
This can lead to destruction.
- The camera should never be operated in water.

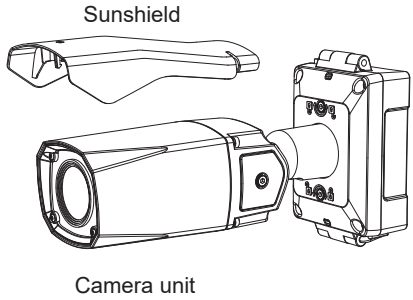
Contents

Safety Precaution	03~04p
Contents	05p
Features	06p
Composition	07p
Dimensions	07p
Part Names	08p
Installation Instructions	09~16p
Specifications	17~18p
Operating Instructions	19~22p
Full Menu Setup	23~70p
1. LIVE VIEW	23p
2. PLAYBACK	25p
3. SETUP	26p
3-1. Information	26p
3-2. Video & Image	26p
3-3. Record	42p
3-4. Event	45p
3-5. System	57p
4. 4 EYES PRINCIPLE	68~70p
Troubleshooting	71~72p

Features

- Full-HD 2.16Mega Pixel, NETWORK CAMERA, 1920x1080(30/25p)
- The best low light performance with SONY's STARVIS sensor
- ONVIF Conformance
- ONVIF Event Mapping
- Zero configuration
- Cross Web Browsing (IE, Edge, Safari, Firefox, Chrome)
- Adaptive web resizing depending on layout & resolution of display device by RESPONSIVE WEB
- Increased usability for all PC, tablet and mobile
- HTML5 playback for recorded video on Micro SD card
- Simultaneously H.264, H.264+ (Smart Stream), H.265, H.265+ (Smart Stream), MJPEG (Multi streaming)
- f=5~50mm, Motorized vari-focal lens
- Motorized Zoom & Focus Adjustment
- True Day&Night by ICR
- DOL HDR (Digital Overlap High Dynamic Range)
- D-WDR (Digital Wide Dynamic Range)
- Improved noise figure with the enhanced 3DNR
- LDC(Lens Distortion Compensation)
- Smart Video Stream, ROI(Region of Interest)
 - Enables to process video data smartly according to users demand.
 - Lowering overall bandwidth and reduce the storage burden
- Privacy Mask, Motion Detection, HLC/ BLC, Digital Zoom(~x8), Mirror/Flip, Contrast, Brightness, Hue, Saturation, Sharpness
- PoE(IEEE Std. 802.3af)
- 4pcs High power SMD LED
- Dual window for protecting IR reflection
- One-touch 3-Axis locking bracket with Junction Box
- Integral Junction Box (Option)
 - Both RJ-45 and Network wiring connector(LSA) for flexible Network/PoE connection.
 - Junction Box cover opening (Sabotage) alarm integrating with various event actions.
 - Simple wiring and tidy cable arrangement.
- Cooling Fan & Optimized Heat sink System
- IP67 Protection

Composition



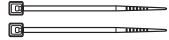
Plastic Anchor: 6 x 30mm (4pcs)



Mounting Screw: 4 x 30mm (4pcs)



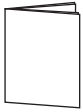
Cable tie (2pcs)



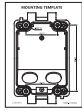
Torque Wrench: 3mm (1pc)



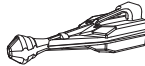
Hinge pin (1pc)



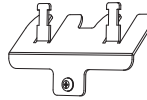
Operating Instruction



Mounting Template



RJ45 Easy Cap for Grommets



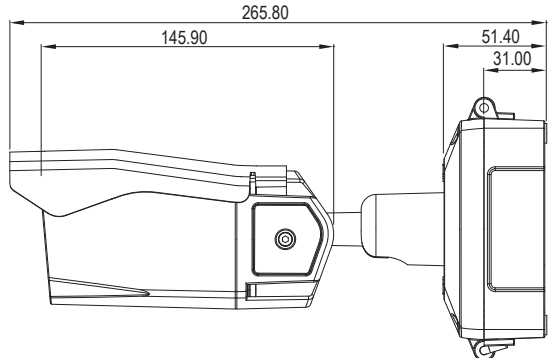
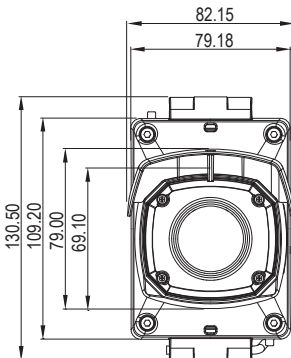
Cable fixation plate with Fixing screw



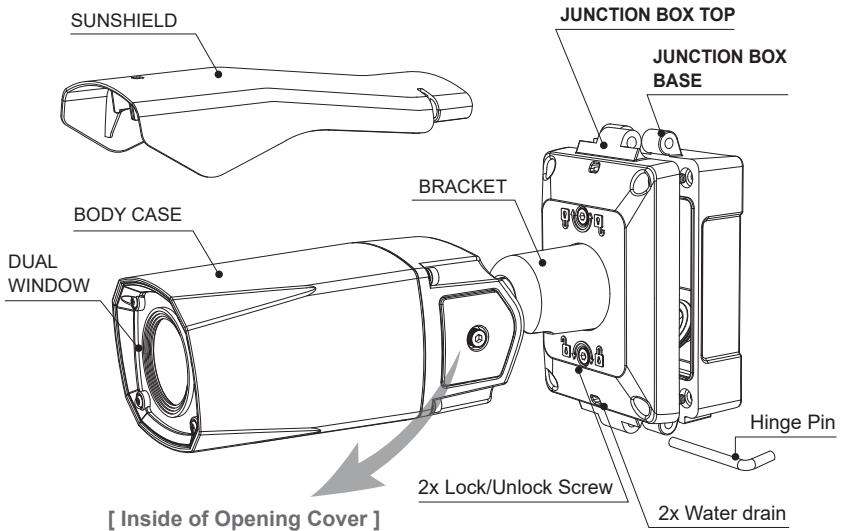
Grommet (2pcs)

Dimension

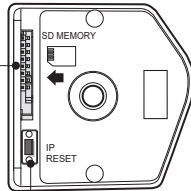
(unit : mm)



Part Names

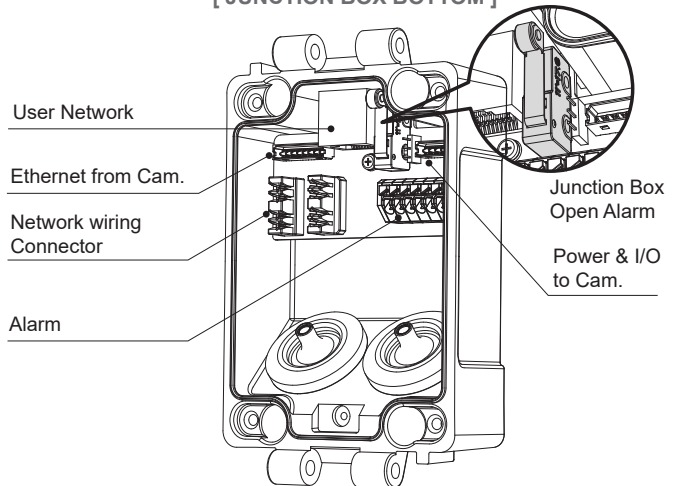


Micro SD Card Slot



IP Reset (Default) : pressing for 5~8 seconds resets all parameters to original factory settings.

[JUNCTION BOX BOTTOM]



Installation Instructions



• Cover Opening Alarm and External Alarm Input :

Cover Opening(Sabotage) Alarm and External Alarm Input are electrically tied together internally.

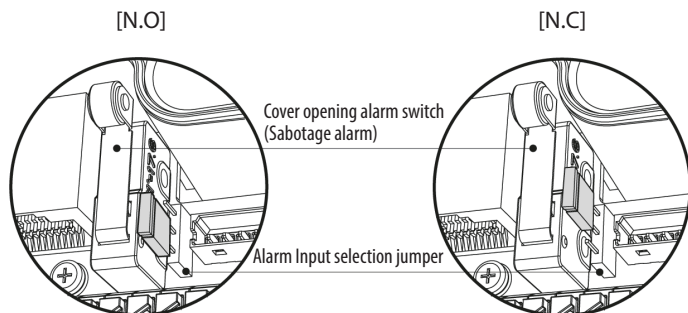
Alarm contact types, N.O or N.C are selectable by the Alarm Input Selection Jumper and the selection types should be matched with Alarm Type in setup menu.

When both of Cover Opening Alarm and External Alarm Input are used at the same time, the alarm contact types must match. Otherwise, alarm malfunctions. When External Alarm Input only is used with disabling Cover Opening Alarm, remove the jumper cap of Alarm Input Selection Jumper.

N.O : Alarm is generated when Junction box is OPEN.

N.C : Alarm is generated when Junction box is CLOSED.

Default setting for Alarm Input selection jumper is N.C. It prevents from Alarm is generating when Junction box is OPEN during installation. Alarm Input selection jumper should be set to N.O and Event Trigger/Action should be denied to enable Cover opening alarm.

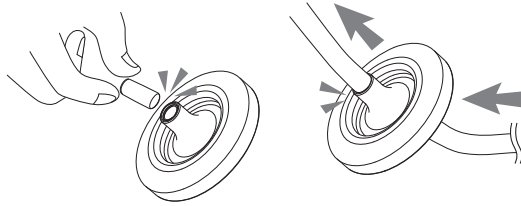


For Cover Opening Alarm, please go to SETUP> Event Rules> Event Processing> Add Event Trigger should be set to "Alarm In" and then Event Action should be set as available options.

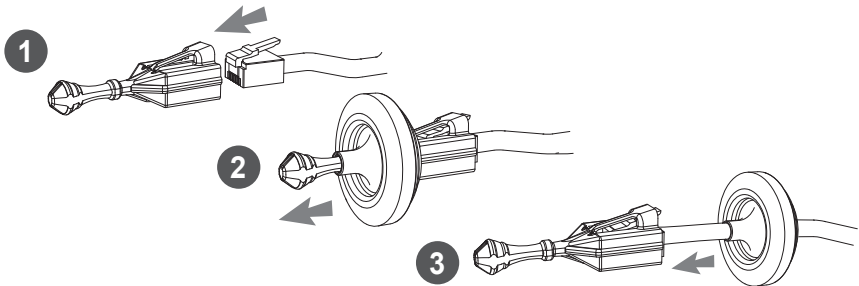
Installation Instructions

• Using Grommet :

Tear off the cocks of grommets properly and pull up the grommet so that sealing can wrap the cable properly as illustrated. If it doesn't wrap the cable properly, it could cause the water leakage problem.



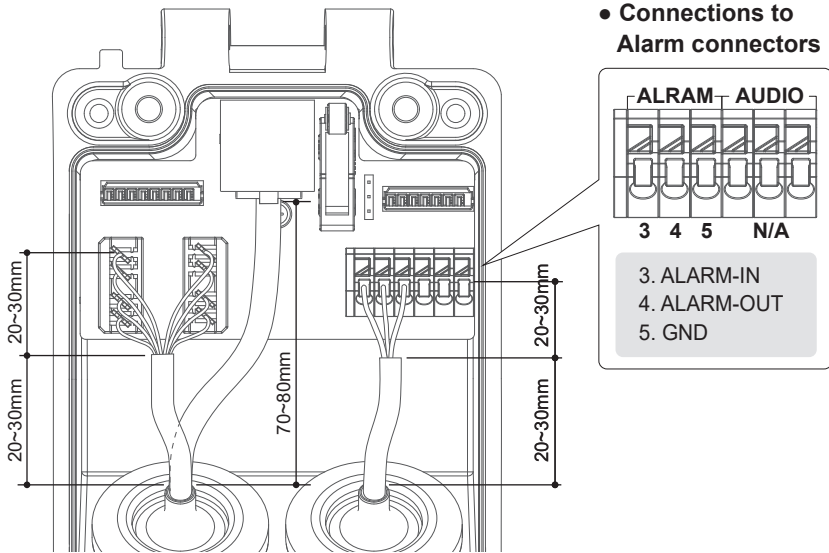
• Using RJ45 Easy Cap for Network cable :



• Recommended cable length into the Junction box base :

- CABLE with RJ-45 Connector: 70mm~80mm
- CABLE for Network Wiring Connector: 20mm~30mm (excluding cable tripping section)
8P cable stripping distance: 20mm~30mm
- Alarm/Audio CABLE: 20mm~30mm (excluding cable tripping section)
6P cable stripping distance: 20mm~30mm

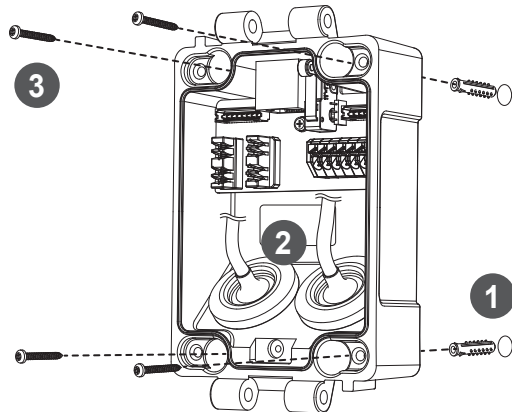
Installation Instructions



Install the mount onto a strong structure.

Prepare the Junction box base and the accessories for installation.

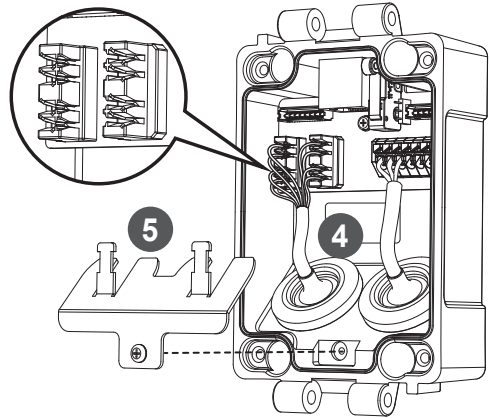
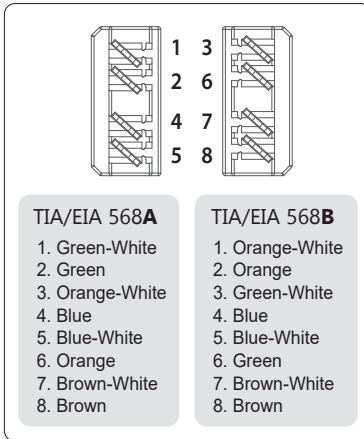
- ① Locate the mounting template at the installation position and drill the wall if needed.
- ② Route the Power/Ethernet cables through the grommets from the wall. Insert the grommets onto the Junction box base.
- ③ Place the Junction box base on pre-drilled position and fix it through using mounting screws (4x30mm).



Installation Instructions

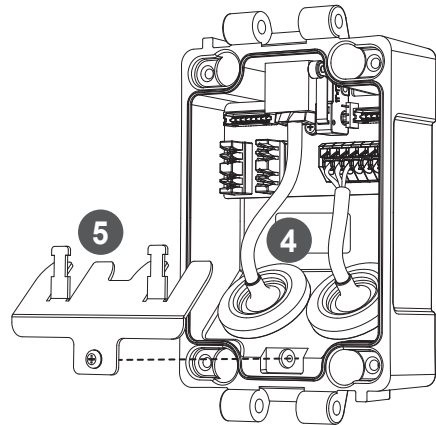
- ④ Hook up the I/O wires and Network cable to the connectors.
Network cable can be connected to either RJ-45 connector or LSA connectors.

• Connections to LSA connectors



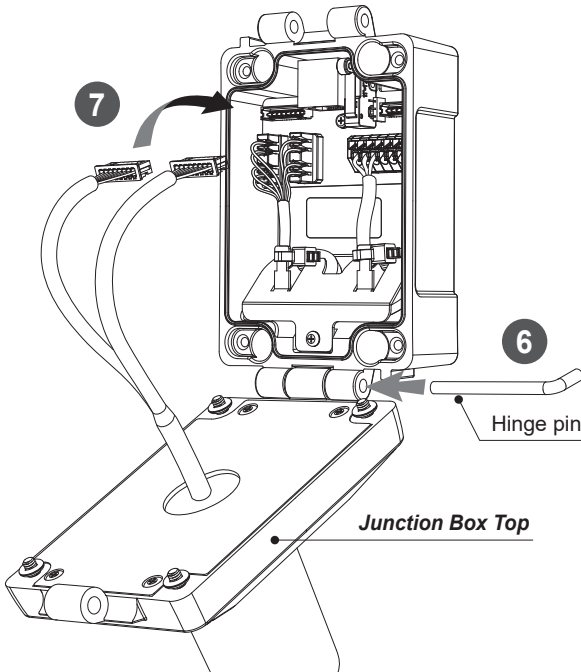
- ⑤ Fix the cable fixation plate and tie up the cable to it.

• Connections to RJ-45 connector



Installation Instructions

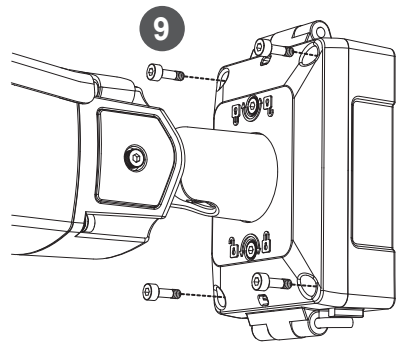
- ⑥ Assemble the Junction box top to the Junction box base using a hinge pin. Hinge can be inserted at either side for convenience.
- ⑦ Connects the Power/Ethernet cables from camera.



- ⑧ Set Alarm Input Selection Jumper. (Refer to 'Cover Opening Alarm and External Alarm Input' on p.9)
- ⑨ Cover the Junction box top and tighten with assembly screws.(4pcs)

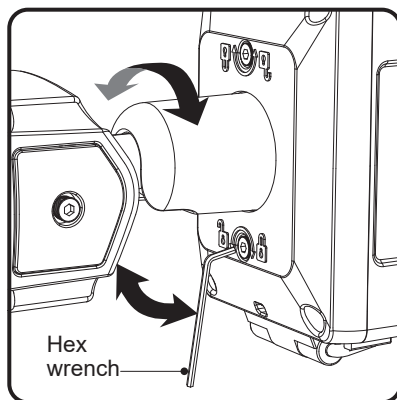
*** Caution:**

If assembly screws are not firmly assembled, it causes water leakage.



Installation Instructions

- ⑩ Set the camera's orientation and tighten the Lock/Unlock screws using hex wrench.
- ⑪ Open the Opening cover to insert the Micro SD memory.
- ⑫ After all the setting, close the Opening cover and tighten it.
- ⑬ Put the sunshield to the camera unit and tighten the sunshield bolts.



■ Adjustment of viewing angle with a bracket

CAUTION

- Extreme care should be taken NOT to scratch the surface of window while the camera installing or adjusting.
- Care should be taken the cable is NOT to be damaged, kinked or exposed in the hazardous area.
- Do not expose the camera directly to a strong light source such as the sun or spot light.

Installation Instructions

Pan & Tilt adjustments

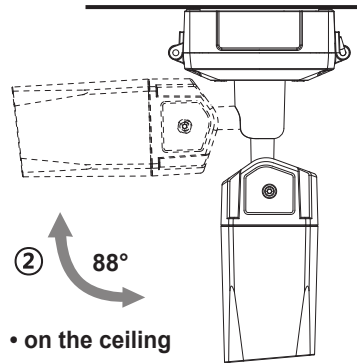
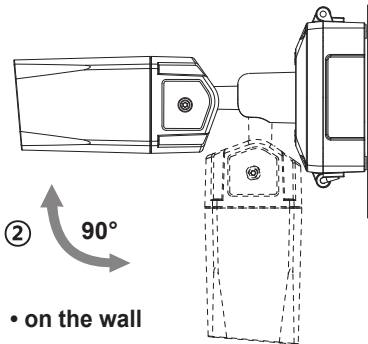
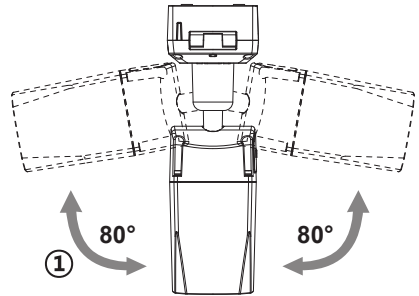
- Unlock the screw on the camera bracket through using the hex wrench supplied.
- Set the camera's viewing angle then lock the screw on the bracket.

1) Pan limit:

Pan is limited to $\pm 90^\circ$.

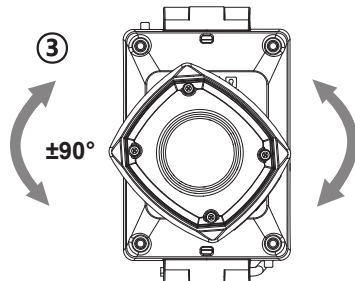
2) Tilt limit:

Tilt is limited to $0^\circ(2^\circ)$ min $\sim 90^\circ$ max.
for wall(ceiling) installation respectively
with reference to the wall(ceiling) when
the inclination of camera module is 0° ,
that is, the image is aligned horizontally.



3) Inclination limit

(Horizontal image alignment):
Inclination limited to $\pm 90^\circ$ max.

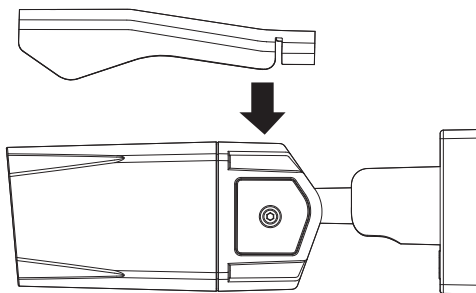


Installation Instructions

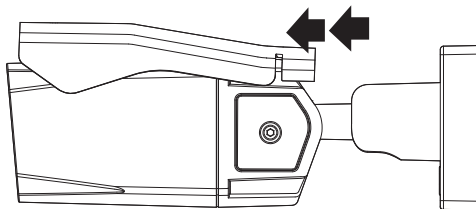
Sunshield Assembling

- After all adjustments, assemble the sunshield with the camera unit as illustrated.

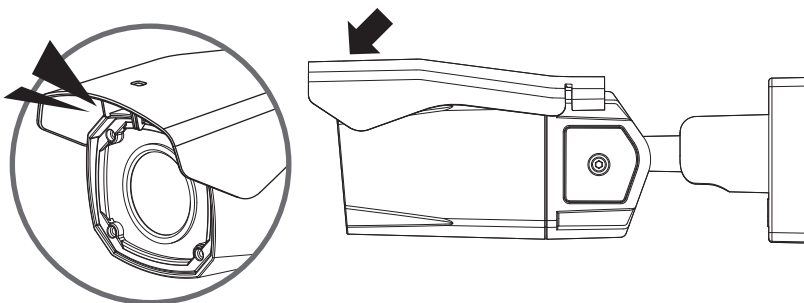
- ① Cover the sunshield to the camera unit.



- ② Slide forward to straighten the camera front case.



- ③ Push down the front part of sunshield until clicking sound. Make sure the sunshield is fixed with camera.



Specifications

ITEM	NTSC	PAL
Imaging Sensor	1/2.8" Sony 2.16 Mega pixel RGB STARVIS CMOS Sensor	
Effective Pixels	1945(H) x 1097(V) approx. 2.13M pixels	
Sensitivity	0.001Lux @F1.6(@40IRE, LED Off)	
Scanning mode	Progressive Scan	
S/N Ratio	50dB	
Shutter Speed Control	Automatic: Min. 1/25,000 sec ~ Max. 1/25 sec Manual: Min. 1/25,000 sec ~ Max. 1/25 sec	
Gain Control	Automatic: ~ Max. 69dB / Manual: ~ Max. 69dB	
Auto White Balance mode	Automatic, Outdoor, Light bulb, Fluorescent light, Clear sky, Shade, Manual	
Day & Night mode	Automatic, Day, Night, External	
Lens	f=5~50mm, Motorized vari-focal lens	
LED	4pcs x 850nm High power SMD LEDs	
WDR	DOL HDR (Digital Overlap High Dynamic Range)	
DNR	2D-NR, 3D-NR	
Functions	Privacy Mask, Motion Detection, HLC/ BLC, Digital Zoom(~x8) Mirror/Flip, Contrast, Brightness, Hue, Saturation, Sharpness, LDC (Lens Distortion Correction)	
Installation Temp.	-20°C ~ +50°C (Humidity : 20%RH ~ 80%RH, Non-condensing)	
Operating Temp.	-40°C ~ +50°C (Humidity : 20%RH ~ 80%RH, Non-condensing)	
Dimension	82.15(W)x130.5(H)x265.8(L)_with Junction Box / About 1.25kg	
Housing	IP67, Aluminum Cast, Dual window, One-touch 3-Axis locking bracket with Junction Box, Cooling Fan & Optimized Heat sink System	
Power Source	PoE(IEEE Std. 802.3af)	
NETWORK SPECIFICATION		
Video Compression	H.264, H.264+ (Smart Stream), H.265, H.265+ (Smart Stream), MJPEG	
Video Resolution	1920x1080, 1280x720, 1024x576, 768x432, 704x392, 640x360, 384x216	
Video Frame Rate	Up to 25fps@1920x1080p	
Video Streaming	Simultaneously H.264, H.264+ (Smart Stream), H.265, H.265+ (Smart Stream), MJPEG (Multi streaming) Independent Frame Rate and Bandwidth Control, VBR/CBR	
FTP Uploading	MJPEG Still Image	

Specifications

Login Authority	Administrator, Operator, Guest
Security	Multi User Authority, IP Filtering, HTTPS, Video Stream, Export/Import
Network Time Sync.	Synchronize Computer/NTP Server, Manual
Software Reset	Restart, Reset, Factory Default
Auto Recovery	Backup, Restore
Remote Upgrade	Using Web Browser
Protocol	TCP/IP, UDP, IPv4/v6, HTTP, HTTPS, FTP, UPnP, RTP, RTSP, RTCP, DHCP, ARP, Zeroconf, Bonjour, SNMP
Client Software	Built-In Web, ONVIF Compatible 3rd Party VMS
SDK Support	API, ONVIF Profile S Compliant
SD memory card	Slot for Micro SD memory card(H.264 recording)
Audio & Alarm	2way Alarm

(*) Design and specifications are subject to change for product improvements without prior notice.

Operating Instructions

Setup Menu table

Category	Menu	Configuration			
LIVE VIEW	Player Control	Pause, Snapshot, Record			
		Display (Window Fit, Full Screen, Custom)			
	Video Stream	Stream1, Stream2, Stream3			
	Protocol	HTTPS, HTTP, TCP, UDP			
	PTZ Control	Zoom, Focus, Push AF			
PLAYBACK	Event Search, Timeline Search, Timeline Bar				
SETUP	Information	General, System Information, Open source Information			
	Video & Image	Source			
		Stream1/2/3			
		Smart Video Stream	ROI(Region Of Interest), Dynamic GOP		
		Image	Basic	Brightness, Contrast, Saturation, Hue, Sharpness, Enable flip image, Enable mirror image	
			OSD	Enable text OSD, Enable date&time OSD, Enable zoom&focus OSD Mode	
			AE	Mode, Slow shutter, Luminance compensation, Auto Iris, Auto Flickerless, Shutter, Max. Shutter, Gain, Max. Gain	
			AWB	Mode, R Gain, G Gain, B Gain	
			AF	Mode, Speed, Lens Locking, Locking Timer, Lens Calibration, Enable Day& Night sync focus, Lens initialize on boot	
			Day&Night	Mode, Switching time, Threshold (D->N), Threshold (N->D), Threshold(Current), IR LED Control	
			WDR	WDR(Mode, Level), DWDR(Mode, Level)	
			BLC	BLC(Mode, Level), HLC(Mode, Level)	
			DNR	3DNR(Mode, Level)	
			LDC	Mode	
			VerticalView	Mode, Rotation	
Privacy Mask	Color, Name				
Digital Zoom	Level				

Operating Instructions

SETUP	Record	Record	Overwrite when storage is full, Continuous record setting
		Schedule	
		Recycling	Recycling Time Setting
		Storage	Format, Remove, Storage server
	Event	Triggers	Motion, Tamper, System, Manual, Network, Timer, Day/Night
		Actions	Record, E-Mail, FTP, Video Boost, Notification Server
		Rules	Event Processing, ONVIF Mapping
	System	Security	User, HTTPS, IP Filter, ONVIF, Video Stream, Export/Import
		Date & Time	Current Time, New Time, Time Zone, Date & Time Display
		Network	TCP/IP, DDNS, RTP, UPnP, Zeroconf, Bonjour
		Language	English, Deutsch, Français, 한국어
		Maintenance	Maintain (Restart, Reset, Default), Upgrade, Setup Export, Setup Import
		Logs & Report	Logs (Database Capacity, Search Condition, Log List), Log Sever, Report
4EYESPRINCIPLE	Approval #1/2		
LOG OUT			

Network Menu Control

Quick Network Setup

■ Log in the web viewer

1. After the camera is connected to the network, start '**eneo Site Manager**' tool. (downloadable from www.eneo-security.com).
2. You will get a list of cameras connected to the local network. Highlight your camera in the list and open a context menu with a click of the right mouse button.
3. Select the „Set IP Address [dhcp / static]“ option to open a window for setting the cameras IP properties. When you are done click the „OK“ button to update the camera settings.
4. By default the camera is set to DHCP. If there is no DHCP server present in the network the camera will fall back to a default IP address after a while. In this scenario please only add one camera at a time to the network to avoid conflicts due to identical IP addresses. The network camera's default IP address is: **192.168.1.10**.
5. Right clicking the device name in the eneo Scan Device tool will bring up the context menu. Use the '**Open Device Web Site**' option to access the camera.
6. The web viewer login page will open up in your default web browser. In case of Microsoft Internet Explorer install Active-X named VIDEOR E. Hartig GmbH according to the instruction at the bottom of the browser.
7. Use the default user name and password to log in.

Default user name: admin

Default password: admin



eneo xxx-xxxxxxxxxx

admin

.....

Jump to setup

Login

Full Menu Setup

1. LIVE VIEW

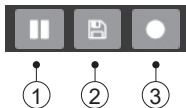
Enter the live view menu on the Web Viewer.

■ Web Viewer description



- A) Menu button : Click the button to show or hide the setup menu bar.
- B) Model name : Show a camera model name connected.
- C) Select Language : Set the web viewer language English, Deutsch or French.
- D) Main setup menu bar : Set the camera or network functions.
- E) Camera monitoring window: Display the currently connected camera view or function.
- F) Log out and exit the web viewer

■ Player Control

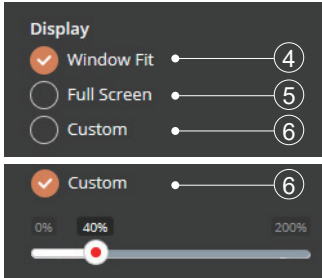


- ① Pause : Pauses the live view.
- ② Snapshot : Captures the image in .jpg format with the current stream resolution.

- ③ Record : Records the live video in H.264 format into the equipped storage memory like SD, SDHC & SDXC with the selected video stream at the RECORD menu.

Full Menu Setup

■ Display



- ④ Window Fit : Resizes the live view display to fit along with the display window size.
- ⑤ Full Screen: Resizes the live view display to fit to the monitor resolution. ESC key returns to the previous view.
- ⑥ Custom : Selects the live view display scale, 0%~200%, by the control bar. 100% is original size.

■ Video Stream

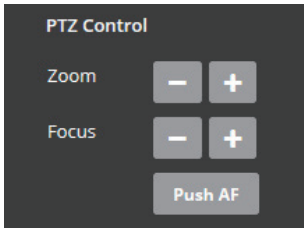
Selects the video source stream to display the live view only.

■ Protocol

Selects the network protocol out of HTTPS, HTTP, TCP or UDP.

■ PTZ Control

Used to adjust zoom/focus manually or one-push focus automatically.



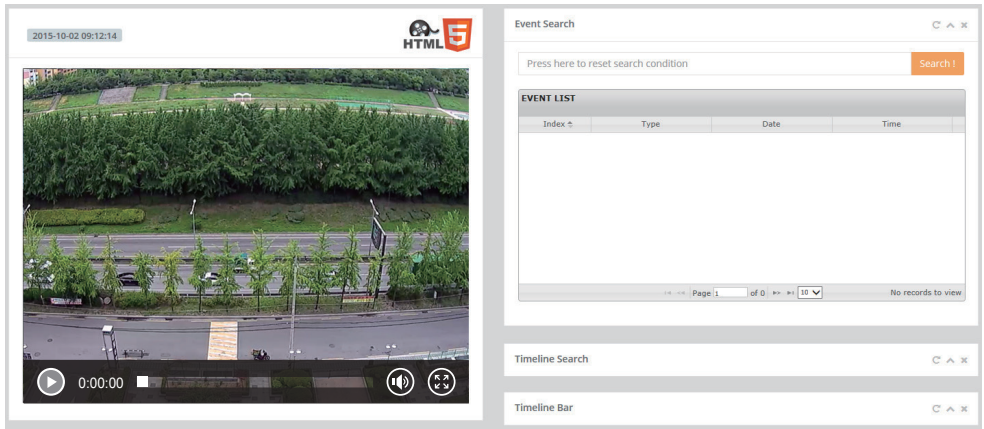
- ZOOM : Controls the lens optical zoom in/out for WIDE & TELE.
- FOCUS : Adjusts the lens focus manually for NEAR & FAR.
- PUSH AF : Gets the lens to focus at the push of a button.

CAUTION

- Do not adjust zoom/focus in low light conditions or night mode. It might cause erroneous focusing.

Full Menu Setup

2. PLAYBACK



■ Event Search

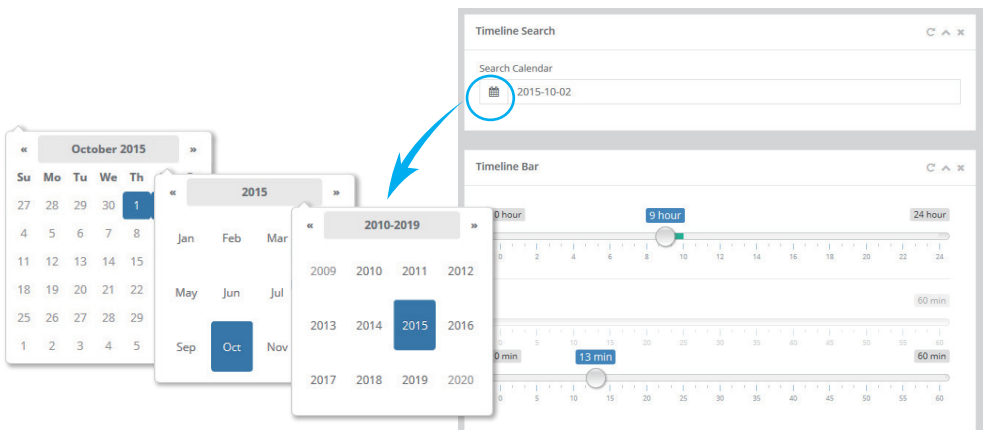
Playback display using the event list.

- Press the input bar to pop up EVENT DATE & TIME window and select the event TYPE.
- Click SEARCH button to show up EVENT LIST.
- Select the recorded event and click the play button at the bottom-left corner of the playback window.

■ Timeline Search

Playback display by Date & Time for continuous and event recording.

- Select the date in the SEARCH CALENDAR and then the hour & minute at TIMELINE BAR.



Full Menu Setup

3. SETUP

Enter the setup menu on the Web Viewer.

3-1. Information

Shows the overall information about the system such as Model name, MAC address, IP address, Zeroconf, IP address, Hardware version, Firmware version, Server time, Running time, CPU usage, Inbound/Outbound Bandwidth and Open source list.

The screenshot displays the 'Information' setup page. The left sidebar contains navigation options: LIVE VIEW, PLAYBACK, SETUP (with a sub-menu for Information, Video & Image, Record, Event, and System), and LOG OUT. The 'Information' option is highlighted with a blue circle. The main content area shows the 'Information' page with a breadcrumb 'SETUP / Information'. Below this is a 'General' table with the following data:

General	
Model	XXX-XXXXXXXXXX
MAC Address	78:C2:C0:21:9E:85
IP Address	192.168.0.19
Zeroconf IP Address	169.254.213.228
Hardware Version	XX
Firmware Version	X.X.X.XXX

Below the table is a 'System Information' section, which is partially visible.

3-2. Video & Image

3-2-1. Source

- **SIGNAL** : Set NTSC/PAL mode depending on TV system. Generally set to NTSC in 60Hz area and PAL in 50Hz area for the electrical power system of your country. Changes will restart the camera.

The screenshot displays the 'Source' setup page. The left sidebar contains navigation options: LIVE VIEW, PLAYBACK, SETUP (with a sub-menu for Information, Video & Image, Source, Stream, and Smart Stream), and LOG OUT. The 'Source' option is selected. The main content area shows the 'Source' page with a breadcrumb 'SETUP / Video / Source'. Below this is a 'Source' table with the following data:

Source	
Signal	XXXX
Mode	XXXXXX@XXfps

A 'Save' button is located in the top right corner of the page.

Full Menu Setup

3-2-2. Stream

Stream
Save

SETUP / Video / **Stream**

Stream1
↻ ^ x

Compression	H.264 High Profile	▼
Resolution	XXXXxXXXX	▼
Frame rate	30	▼
GOP size	30	▼
Bitrate control	VBR	▼
Bitrate [Kbps]	4000	▼
Bitrate quality	5	▼

• **Stream1, 2, 3**

> **COMPRESSION** : H.265(+) and H.264(+) are available in all stream but MJPEG is available in Stream 3 only.

• H.265+, H.264+ : Enables to process video data smartly according to users demand and lowering overall bandwidth, and reduce the storage burden.

If H.265+ or H.264+ is selected, Smart Video Stream and Dynamic GOP are switched ON automatically.

Accordingly, ROI(Region of Interest) and Dynamic GOP should be set in Smart Video Stream menu to use H.265+ and H.264+.

> **RESOLUTION** : Each stream can have its individual resolution selected from its list.

> **FRAME RATE** : Each stream can have its individual frame rate in fps selected from its list.

Full Menu Setup

- > **GOP SIZE:** GOP (Group of Picture) defines the number of Intra-coded pictures (I frame) & Predictive-coded pictures(P frame) in H.264. I frame is a complete image while P frame is the predictive image data which can lower the image data dramatically between frames. GOP SIZE stands for the number of P frames between I frames. Too small GOP SIZE (too frequent I frames) can degrade the picture quality because the codec compresses the data strongly to maintain the bitrate. On the contrary, a little bigger GOP SIZE can improve the picture quality with the better quality for P frames if the network is in good condition. Too big GOP SIZE can make the longer black out or the broken image if the network quality is not good enough.
- > **BITRATE CONTROL :** Selects how to manage the bitrate.
 - **VBR (Variable Bit Rate):**
Provides the higher image quality with the optimal variable bitrate for the scene which has more moving elements in the image. It is not recommended when network is in heavy duty.
 - **CBR (Constant Bitrate) :**
Tends to keep the bitrate steady at the assigned bitrate within a very small variation. It is useful when the network is in very heavy use.
- > **BITRATE :** Indicates the transmission speed through the network and defines the overall picture quality along with the image resolution, frame rate, GOP size and the compression codec for H.265, H.264. A high value provides the higher image quality but the total sum of bitrates for the streams has to be considered in calculating the network duty.
- > **BITRATE Quality :** Enables to set the quality.


Full Menu Setup

3-2-3. Smart Video Stream

● **ROI(Region Of Interest)**

- > Enables to process video data smartly according to users demand.
- > Available to deliver high quality and frame rate on interested region while less quality and frame rate video on non-interested region.
- > Lowering overall bandwidth and reduce the storage burden.

ROI (Region Of Interest) Dynamic GOP



Enable

Name

Quality

ID	Name	Quality	Delete
----	------	---------	--------

Full Menu Setup

> How to set Region of Interest:

- 1) Mark ENABLE checkbox to enable ROI function.
- 2) Click the mouse right button on the video viewer, select "Create ROI area" menu and Drag the ROI area.
- 3) After drag, enter a Name, select Quality and save.
- 4) ROI frame rate is available to set in Settings> Video & Image> Video Stream.
- 5) To delete the selected area, Click the mouse right button on the video viewer, select "Create ROI area" or click "Delete" button.
- 6) After setting the mode, press the SAVE.

● ***Dynamic GOP:***

- > Outputs Intra-coded pictures(I frame : Complete Image)
When there is motion or change in picture only to save bitrate.

Full Menu Setup

3-2-4. Image

✓ **Success**
This request has been performed without error

Save

LIVE VIEW

PLAYBACK

SETUP


- Information
- Video & Image
 - Source
 - Stream
 - Image**
 - Privacy Mask
 - Digital Zoom
- Record
- Event
- System

Log out

Image
SETUP / Video / Image

Viewer

2016-10-06 09:50:35



Basic OSD AE AWB AF Day/Night WDR BLC DNR LDC VerticalView

Day

Brightness 50

Contrast 50

Saturation 50

Hue 50

Sharpness 5

Enable flip image

Enable mirror image

Night

Brightness 50

Contrast 50

Saturation 50

Full Menu Setup

• Basic

- > BRIGHTNESS: Adjusts the overall brightness of the scene. Increasing the value increases the brightness.
- > CONTRAST: Adjusts the contrast of the scene. Increasing the value increases the contrast.
- > SATURATION: Adjusts the color richness of the scene. Increasing the value increases the color richness.
- > HUE: Adjusts the color hue (NTSC only). Decreasing the value produces a greenish hue and increasing the value produces a pinkish hue.
- > SHARPNESS: Adjusts the sharpness of the scene. Increasing the value increases the sharpness.
- > ENABLE FLIP IMAGE : Flips the image on horizontal axis (up and down).
- > EABLE MIRROR IMAGE : Mirrors the image on vertical axis (left and right).

• OSD

- > ENABLE TEXT OSD : Enables display of the Text typed in the TEXT field (displays bottom-right).
- > ENABLE DATE&TIME OSD : Enables display of the Date & Time (displays top-left).

Basic
OSD
AE
AWB
Day/Night
WDR
BLC
DNR
LDC
VerticalView

Enable text OSD

Text

Size

Enable date&time OSD

Size

Enable zoom&focus OSD

Mode

Note

- The maximum length of OSD text is 16 characters.
- The available OSD characters: alphabet and numeric and + - : ; , ' ? / ! ` ~ ! @ # \$ * () [] < > { }

Full Menu Setup

- > ENABLE ZOOM&FOCUS OSD : Applies to Built-in Motor driven V/F lens or AF models only
Enables display of the Zoom Ratio & Focusing Mode (displays top-right).
- > MODE : Allows you to select when the ZOOM&FOCUS OSD is displayed.
 - ON PUSH: Displays on the OSD for a few seconds whilst lens is adjusting.
 - ALWAYS: Displays on the OSD at all times.

• AE

- > MODE : Selects how to control the exposure, AUTOMATIC or MANUAL.
- > SLOW SHUTTER : Extends the shutter time over the maximum shutter at multiple times of value in SLOW SHUTTER. Increasing the values increases brightness but also increases blurriness
- > LUMIINANCE COMPENSATION : It compensates the brightness of video and adjusts brightness by weighting in automatic light intensity processing stage.
- > AUTO IRIS : Engages the mechanical iris of lens to control the amount of incoming light to the sensor.
 - OFF : Iris opens and the shutter is engaged to control the video level.
- > AUTO FLICKERLESS : Automatically detects and fixes the flickering image under fluorescent lighting caused by the mismatch between NTSC/PAL and 50Hz/60Hz electric power frequency.

Basic	OSD	AE	AWB	AF	Day/Night	WDR	BLC	DNR	LDC	VerticalView
		Mode	Automatic							
		Slow Shutter	2 [Default]							
		Luminance Compensation	5 [Default]							
		Auto Iris	Off							
		Auto Flicker-less	Off							
		Shutter [sec]	1/1000 [Default]							
		Max. Shutter [sec]	1/25 [Default]							
		Gain	10.0 [Default]							
		Max. Gain	50.0 [Default]							

Full Menu Setup

- > SHUTTER : (Available only in MANUAL mode) Sets the shutter to a fixed value.
- > MAX. SHUTTER : (Available only in AUTOMATIC mode) Sets the maximum exposure time to limit long exposure at night or in low-light scenes.
- > GAIN : (Available only in MANUAL mode) Sets the overall video gain.
- > MAX. GAIN : (Available only in AUTOMATIC mode) Sets the maximum gain that can be automatically reached at night or in low-light scenes.

• AWB

- > MODE : Provides White Balance presets. ATW or Manual is recommended for most applications.
- > R GAIN / G GAIN / B GAIN : (Available only in MANUAL AWB mode)
Adjust the color temperature to a specific light. Not recommended for regular scenes.

Basic	OSD	AE	AWB	AF	Day/Night	WDR	BLC	DNR	LDC	VerticalView
			Mode <input type="text" value="Automatic"/>							
			R Gain <input type="text" value="128"/>							
			G Gain <input type="text" value="128"/>							
			B Gain <input type="text" value="128"/>							

• AF

- > MODE : Selects how to control the focus of the built-in Motor driven V/F lens or AF lens.
 - MANUAL : Focusing works during zoom operation only and stops thereafter.
 - AUTOMATIC : Focusing works steadily for sharp focusing on the object. In the case of a Motor driven lens, focusing resumes in about 7~8 seconds to save the lens lifetime when the focus gets lost.

[NOTE]

- 1) MANUAL mode is strongly recommended to maintain the working-life of the lens.
- 2) Lens operation count is stored in the camera for service purposes.

Full Menu Setup

- > SPEED : Adjusts the zoom control speed. Increasing the value increases the speed.
- > LENS LOCKING : Allows locking of the lens control to prevent undesirable operation.
 - OFF : Disables the locking feature allowing lens operation at any time.
 - ON : Locks and disables the lens operation immediately.
 - TIMER : Locks and disables the lens operation after a certain period of time, as set in LOCKING TIMER.
- > LOCKING TIMER : Defines the amount of time before the lens is locked.
- > LENS CALIBRATION : Calibrates and renews the lens data as setup at the Factory.

The screenshot shows the 'AF' menu with the following settings:

- Mode: Manual
- Speed: 3
- Lens Locking: Off
- Lens Calibration: Start
- Enable Day & Night sync focus
- Lens initialize on boot

[WARNING]

LENS CALIBRATION is not necessary for regular installations.

LENS CALIBRATION would only be necessary should you not be able to focus the lens after a zoom operation due to shock during transportation of the camera.

To perform LENS CALIBRATION:

- A fixed object with sharp edges should be at least 3 meters away in front of the camera and should be stationary i.e. not moving. A plain wall is not suitable to calibrate on.
- The camera must be placed firmly, without shock or vibration, during the calibration.
- Scene light level must be bright enough. Do not try calibration at night or in low-light.
- If the calibration fails, change the environment and try again.
- > ENABLE DAY&NIGHT SYNC FOCUS : Enables refocusing whenever the day&night changes. It is not recommended to use this feature as it may lose focus over the night due to focusing failure at night.
- > LENS INITIALIZE ON BOOT : Mark ENABLE checkbox to enable lens initializing when camera is booting.

Full Menu Setup

• Day & Night

- > MODE : Selects how to control the day/night feature.
 - DAY : Disables the switching day/night filter and fixes it to DAY only.
 - NIGHT : Disables the switching day/night filter and fixes it to NIGHT only.
 - AUTOMATIC : Allows the day/night filter to switch via the amount of the incoming light through the lens only. Cameras without the built-in IR LED must select AUTOMATIC.
 - EXTERNAL : Allows the day/night filter to switch via the built-in light sensor only, like a photo sensor. Cameras with the built-in IR LED must select EXTERNAL.
- > SWITCHING TIME : Delays switching the day/night filter to prevent from an undesirable transition.
- > THRESHOLD [D->N] : (Available in AUTOMATIC mode)
Sets the threshold level for day->night switching. Decrease the value to switch at low luminance.
- > THRESHOLD [N->D] : (Available in AUTOMATIC mode)
Sets the threshold level for night->day switching. Increase the value to switch at high luminance.
- > THRESHOLD [Current] : (Available in AUTOMATIC mode)
Shows current threshold level.

Basic	OSD	AE	AWB	AF	Day/Night	WDR	BLC	DNR	LDC	VerticalView
					Mode					
					External					
					Switching Time [sec]					
					5 [Default]					
					Threshold [Day->Night]					
					48 [Default]					
					Threshold [Night->Day]					
					20 [Default]					
					Threshold [Current]					
					IR LED Control					
					Off					

- > IR LED CONTROL : LEDs can be controlled on the web.

Full Menu Setup

- **WDR** (DOL HDR, Digital Overlap High Dynamic Range)

- > WDR : Improves the visibility and the dynamic range for the high contrast scene temporarily with multi scan images
- > DWDR: Improves the visibility by compensating dark area spatially.

The screenshot shows the camera's menu interface with the 'WDR' tab selected. The menu items are: Basic, OSD, AE, AWB, Day/Night, WDR, BLC, DNR, LDC, and VerticalView. The WDR settings are as follows:

Setting	Value
Mode	Off
Level	5

The DWDR settings are as follows:

Setting	Value
Mode	Off
Level	3

- **BLC**

- > BLC (Back Light Compensation) : ON enhances the visibility of the back-lit object.
- > HLC (High Light Compensation) : ON compensates whole image against High light area.

The screenshot shows the camera's menu interface with the 'BLC' tab selected. The menu items are: Basic, OSD, AE, AWB, Day/Night, WDR, BLC, DNR, LDC, and VerticalView. The BLC settings are as follows:

Setting	Value
Mode	Off
Level	Level5

The HLC settings are as follows:

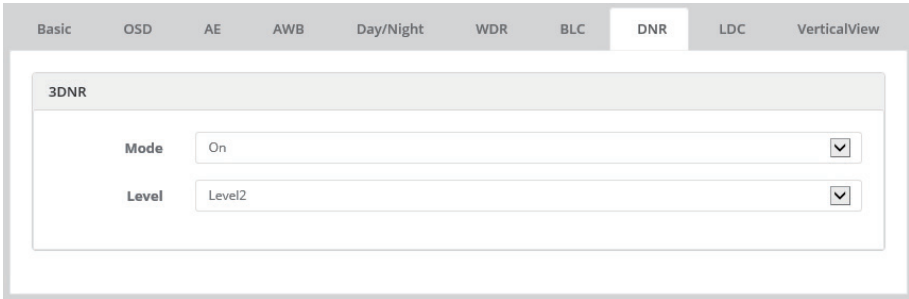
Setting	Value
Mode	Off
Level	Level3

Full Menu Setup

- **DNR** (Dynamic Digital Noise Reduction)

> 3DNR :

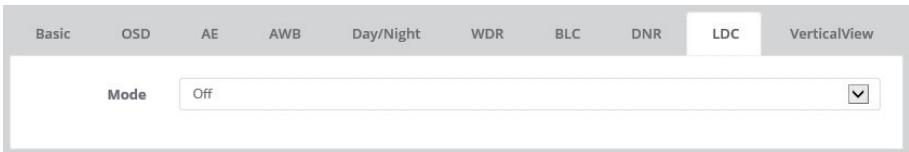
- **MODE**: ON reduces the noise by cancelling the spatial & temporal components in 3 dimensional a way.
- **LEVEL**: Determines the strength of the noise reduction. Higher values reduce more noise but can also lead to a ghosting effect.



The screenshot shows a camera menu interface with a navigation bar at the top containing tabs: Basic, OSD, AE, AWB, Day/Night, WDR, BLC, DNR, LDC, and VerticalView. The 'DNR' tab is selected and highlighted. Below the navigation bar, the '3DNR' section is visible, containing two settings: 'Mode' set to 'On' and 'Level' set to 'Level2'. Both settings are displayed in a dropdown menu format with a downward arrow icon on the right side of each input field.

- **LDC** (Lens Distortion Compensation)

> **MODE** : ON compensates for the barrel distortion caused by wide angles.



The screenshot shows the same camera menu interface as above, but with the 'LDC' tab selected and highlighted in the navigation bar. The 'LDC' section is visible, containing one setting: 'Mode' set to 'Off'. The setting is displayed in a dropdown menu format with a downward arrow icon on the right side of the input field.

Full Menu Setup

• *VerticalView*

- > MODE : ON displays the video in vertical view format, 16:9->9:16 for narrow streets, corridors or hallways.
- > ROTATION : Determines the orientation to rotate.

Viewer

Mode : On
Rotation : 90 degree

Basic OSD AE AWB Day/Night WDR BLC DNR LDC VerticalView

Mode Off

Rotation 90 degree

Note

- The VerticalView can be activated when Digital Zoom is off

Full Menu Setup

3-2-5. Privacy Mask

Mark ENABLE checkbox to activate the privacy masks.

- > COLOR : Select the color to mask at each privacy area.
- > NAME : Input the individual name for each privacy mask.

Privacy Mask

Enable

Color:

Name:

ID	Name	Delete
1	New	<input type="button" value="Delete"/>

Note

- The position of mask can be changed only if digital zoom and corridor function are inactive

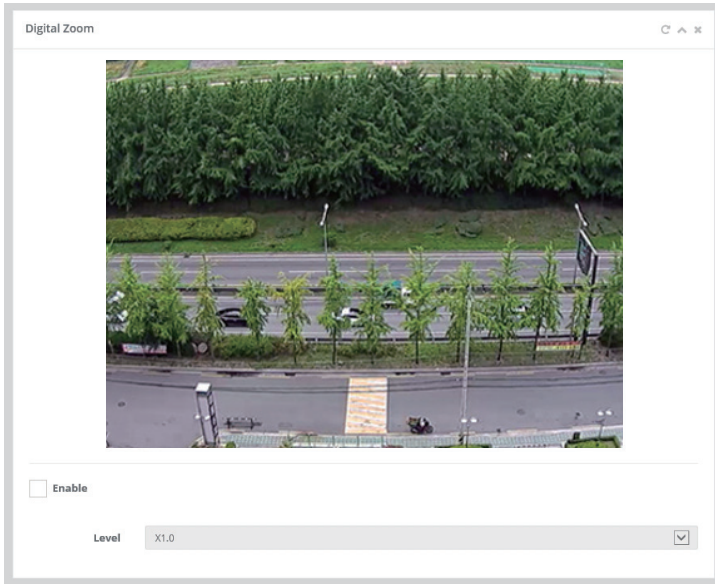
To set the privacy mask (up to 8 privacy areas) :

- 1) Mark ENABLE checkbox.
- 2) In the video window, place the mouse cursor anywhere and click the right mouse button. A mini pop up appears.
Select CREATE MASK AREA / DELETE MASK AREA.
- 3) In the video window, place the mouse cursor where you would like to create a mask.
Click the left-mouse button to create (or delete) a mask. The mask window can be moved or resized with the mouse.
- 4) Enter the name in the list and then click SAVE.

Full Menu Setup

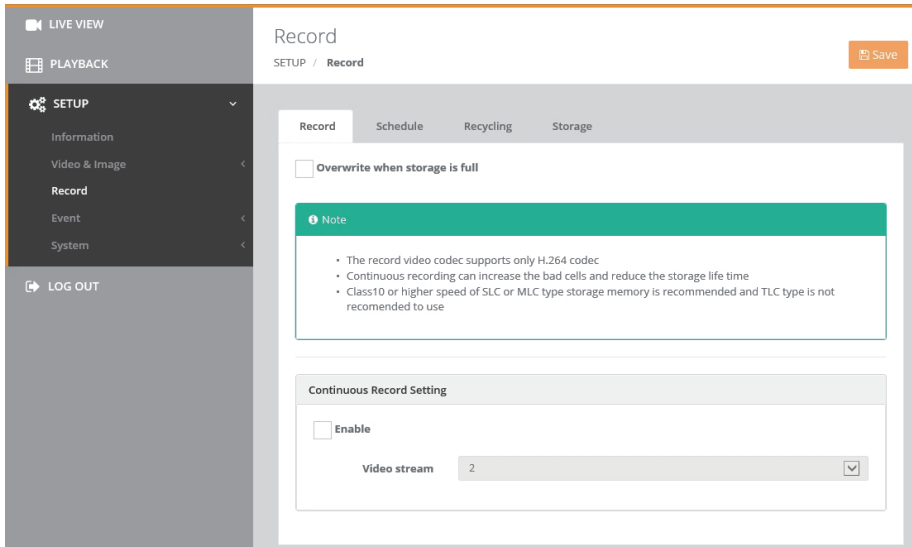
3-2-6. Digital Zoom

- > Mark ENABLE checkbox to activate the digital zoom.
- > LEVEL selects the fixed digital zoom ratio. X1.0 is not digital zoomed.



Full Menu Setup

3-3. Record



3-3-1. Record

- > Mark **OVERWRITE WHEN STORAGE IS FULL** checkbox to allow the storage to be overwritten.
 - > **CONTINUOUS RECORD SETTING** : Mark **ENABLE** checkbox to activate the continuous recording into the storage.
 - > **VIDEO STREAM** : Selects the stream to be recorded into the storage.
- [NOTE]** SD, SDHC or SDXC memory can be used as a storage device.
Refer to manual for the suitable memory size from standard SD or micro SD.

3-3-2. Schedule

- > Mark **ENABLE SCHEDULED RECORD** checkbox to activate the scheduled recording into the storage.
- > Mark each box in time and day matrix when to be recorded.
It can be selected a time zone or day of the week.

Full Menu Setup

The screenshot shows the 'Schedule' tab of the camera's menu. At the top, there are four tabs: 'Record', 'Schedule', 'Recycling', and 'Storage'. The 'Schedule' tab is active. Below the tabs, there is a checkbox labeled 'Enable scheduled record' which is checked. Below this, there is a calendar grid with days of the week (Sun to Sat) and hours (0 to 23). The grid shows recording schedules for each day. For example, on Monday, recording is scheduled from 0 to 23 hours. On Tuesday, recording is scheduled from 0 to 23 hours. On Wednesday, recording is scheduled from 0 to 23 hours. On Thursday, recording is scheduled from 0 to 23 hours. On Friday, recording is scheduled from 0 to 23 hours. On Saturday, recording is scheduled from 0 to 23 hours. On Sunday, recording is scheduled from 0 to 23 hours. The 'Recycling' tab is also visible, showing the 'Enable recycling' checkbox checked.

3-3-3. Recycling

- > Mark ENABLE RECYCLING checkbox to delete recorded video data in storage when certain time is passed. For example, if Recycling Time is set to 2 Months 1Day 0Hour, all the video data that passed 2 Months 1Day 0Hour will be deleted.
- > Recycling Time Setting : Set the storage period of recorded video data
 - Month : Set the Month of storage period from 0 to 12 Months.
 - Day : Set the Day of storage period from 0 to 30 days.
 - Hour : Set the Hour of storage period from 0 to 23 hours.

The screenshot shows the 'Recycling' tab of the camera's menu. At the top, there are four tabs: 'Record', 'Schedule', 'Recycling', and 'Storage'. The 'Recycling' tab is active. Below the tabs, there is a checkbox labeled 'Enable recycling' which is checked. Below this, there is a section titled 'Recycling Time Setting'. This section contains three dropdown menus: 'Month' set to 0, 'Day' set to 0, and 'Hour' set to 1.

Full Menu Setup

3-3-4. Storage

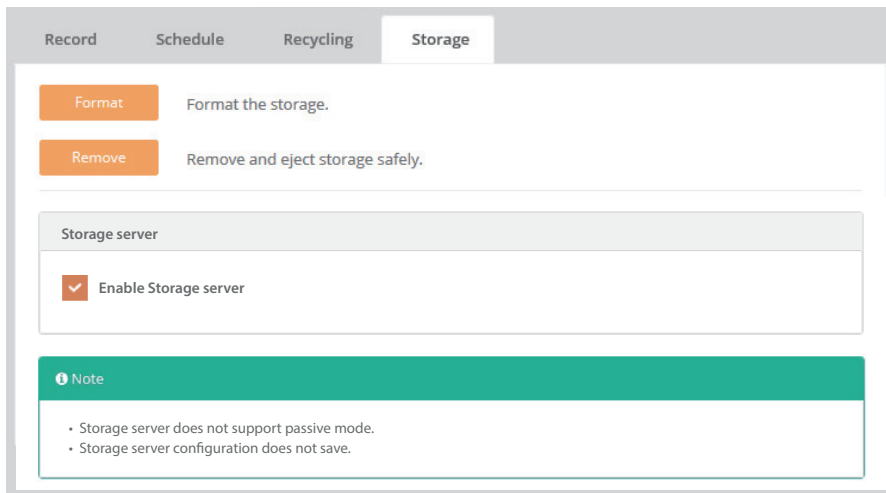
- > **FORMAT** : Formats the storage. Backup the data before formatting the storage if necessary.
- > **REMOVE** : Helps removing the storage safely.

[NOTE]

Common Internet File System (CIFS) is a remote file access protocol that forms the basis for Windows file sharing, network printing, and various other network services. CIFS requires a large number of request/response transactions and its performance degrades significantly over high-latency WAN links such as the Internet. Network File System (NFS) is a network file system protocol, allowing a user on a client computer to access files over a network in a manner similar to how local storage is accessed. NFS, like many other protocols, builds on the Open Network Computing Remote Procedure Call (ONC RPC) system.

- > **STORAGE SERVER** : This function allows you to view the video recorded on the SD card on another device. Only available on the web.

If you check Enable storage server, you can view the recorded video using the ftp client program. Run the ftp client and input the IP address of the IP camera.



Full Menu Setup

3-4. Event

3-4-1. Triggers

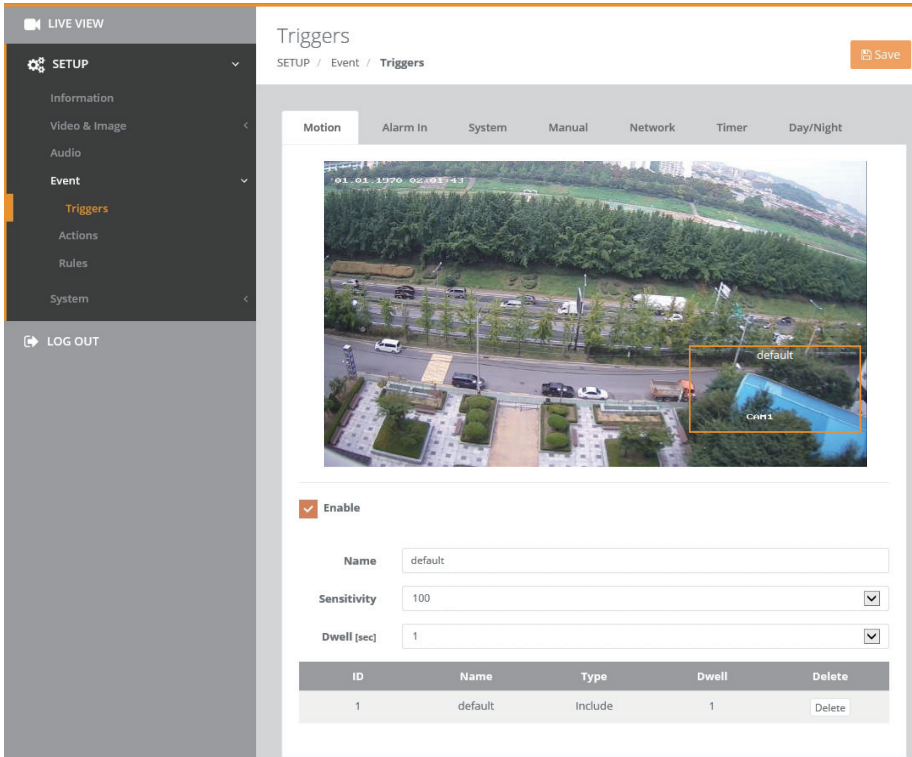
EVENT TRIGGERS menu defines and sets the parameters for the various event sources.

[Important NOTE]

Once the event is generated, the camera can record the video into the storage, output the alarm signal, email the event, send the video clip to FTP, boost the video frame rate, move to PTZ preset or send the event to the notification server. These post processes require the settings at SETUP>EVENT>ACTIONS first and then SETUP>EVENT>RULES.

● **Motion :**

- > Mark ENABLE checkbox to create & activate up to 4 motion areas.
- > NAME : Input the individual name for each motion detection area.
- > SENSITIVITY: Sets the motion detection sensitivity for all areas. Higher values increase sensitivity
- > DWELL : Sets the time for the motion event once detected.



The screenshot displays the 'Triggers' configuration page. On the left is a navigation menu with 'LIVE VIEW', 'SETUP', and 'LOG OUT'. The 'SETUP' menu is expanded to show 'Event' > 'Triggers'. The main area shows a live video feed of a street with a blue motion detection area. Below the video, the 'Motion' tab is selected, and the 'default' trigger is configured. The settings are: Enable (checked), Name (default), Sensitivity (100), and Dwell (sec) (1). A table below lists the configured triggers.

ID	Name	Type	Dwell	Delete
1	default	Include	1	Delete

Full Menu Setup

To set the motion detection area (up to 4 include-types and 4 exclude-types) :

- 1) Mark ENABLE checkbox.
- 2) In the video window, place the mouse cursor where you would like to make a detection window and click&drag the right button. The following window is then generated.
 - INCLUDE-Type : defines areas where motion should be detected.
 - EXCLUDE-Type : defines areas within a window that should be ignored.
- 3) Enter a name and then click SAVE.

[NOTE]

Motion detection and VCA cannot be used simultaneously. If either one is enabled, the other one is disabled automatically.

• **Tamper**

The camera can detect severe changes in the image caused by actions such as repositioning the camera or painting over of the lens and generates an alarm to alert.

- > Mark ENABLE checkbox to activate the tamper alarm.
- > DWELL TIME : Sets the time for the tamper alarm once detected.

• **System**

Used to trigger the event when the camera gets rebooted.

- > Mark ENABLE checkbox to activate the system event.
- > DWELL TIME : Sets the time for the alarm once the system event is detected.

The screenshot shows a web interface with a navigation bar at the top containing tabs for Motion, Alarm In, System, Manual, Network, Timer, and Day/Night. The 'System' tab is selected. Below the navigation bar, there is a form with an 'Enable' checkbox (which is currently unchecked) and a 'Dwell time [sec]' field. The 'Dwell time' field contains the value '3' and has a dropdown arrow on its right side.

Full Menu Setup

• **Manual :**

Enables user to set the event trigger optionally.

- > Mark ENABLE checkbox to enable the manual trigger icons on the live view menu.
- > DWELL TIME : Sets the time for the event once triggered by the manual trigger on the live view menu.

The screenshot displays the 'Manual' menu configuration. At the top, there are tabs for Motion, Alarm In, System, Manual (selected), Network, Timer, and Day/Night. Below the tabs, there are four sections for Manual Trigger1, Manual Trigger2, Manual Trigger3, and Manual Trigger4. Each section contains an 'Enable' checkbox (currently unchecked) and a 'Dwell time [sec]' dropdown menu set to '3'.

• **Network :**

Used to trigger the event when the network connection fails.

- > Mark ENABLE checkbox to activate the network event.
- > DWELL TIME : Sets the time for the event once triggered by the network connection event.

The screenshot displays the 'Network' menu configuration. At the top, there are tabs for Motion, VCA, Tamper, System, Manual, Network (selected), Timer, and Day/Night. Below the tabs, there is a single section for Network settings. It contains an 'Enable' checkbox (currently unchecked) and a 'Dwell time [sec]' dropdown menu set to '3'.

Full Menu Setup

• **Timer**

Mark ENABLE checkbox to trigger the event as defined Timer Interval.
(Hour/Minute/Second)

The screenshot shows the 'Timer' configuration page. At the top, there is a navigation bar with tabs for Motion, VCA, Tamper, System, Manual, Network, Timer (selected), and Day/Night. Below the navigation bar, there is a section titled 'Timer' with an 'Enable' checkbox checked. Underneath, there is a 'Timer Interval' section with three input fields: 'Hour' (set to 1), 'Minute' (set to 0), and 'Second' (set to 0). Each input field has a dropdown arrow on the right side.

• **Day / Night**

Mark ENABLE checkbox to trigger the event when Day/Night is switched.

> MODE : Select the mode, Day->Night or Night->Day.

> DWELL TIME : Sets the interval duration for the alarm event.

The screenshot shows the 'Day/Night' configuration page. At the top, there is a navigation bar with tabs for Motion, VCA, Tamper, System, Manual, Network, Timer, and Day/Night (selected). Below the navigation bar, there is a section titled 'Day/Night' with an 'Enable' checkbox checked. Underneath, there are two input fields: 'Mode' (set to 'Day -> Night') and 'Dwell time [sec]' (set to 3). Both input fields have dropdown arrows on the right side.

Full Menu Setup

3-5-2. Actions

EVENT ACTIONS menu defines and sets the parameters for how to treat the various event sources.

• **Record**

- > Mark ENABLE checkbox to enable recording into the built-in storage when the event occurs.
- > VIDEO STREAM : Selects the stream to be recorded when the event occurs.
- > RECORDING TIME : Sets the length of time to record after the event.
- > PRERECORDING TIME : Sets the length of time to record before the event.

• **E-mail**

The camera can send email messages generated by the events via SMTP (Simple Mail Transfer Protocol).

- > Mark ENABLE checkbox to enable emailing.
 - SENDER : Enter the email address as the sender. Any virtual email address like sample@sample.com can be used if the recipient can recognize it from the camera.
 - INTERVAL : Sets the interval for emailing after the events occur.
 - AGGREGATE EVENTS : Sets the number of events which will be sent in an email.

Full Menu Setup

- > Mark USE MAIL SERVER checkbox to set the mailing server.
 - MAIL SERVER : Enter the host name or IP addresses for the mail servers. If a host name is used, a valid DNS server must be specified in the Network-Basic settings.
 - PORT : Enter the port number of the mail server.
- > Mark ENABLE USE(SMTP) AUTHENTICATION checkbox if the mail server requires authentication.
 - USER NAME : Enter the user name as provided by the network administrator.
 - PASSWORD : Enter the password as provided by the network administrator.
 - LOGIN METHOD : Select one for SMTP authentication method allowed.

[NOTE]

If a PLAIN or LOGIN mechanism is negotiated, the camera sends the user name and password to the SMTP server. The LOGIN mechanism is supported by Microsoft, as well as some other clients. Most other clients support the PLAIN authentication mechanism. Since the vast majority of Email clients support only PLAIN or LOGIN, mail server administrators will probably want to consider using STARTTLS to provide an encryption "tunnel" between the client and server to protect the user name and password.

- > RECEIVER LIST : Enter the recipient's email addresses as the receivers.
- > E-MAIL(SMTP) TEST : Enter the recipient's email address in RECEIVER and click the TEST button to test if the mail servers are functioning and the email address is valid.

Full Menu Setup

• FTP

FTP notification will save files on the specified FTP server.

> Mark ENABLE checkbox to set the FTP server.

- **SERVER** : Enter the IP address or host name of the specific FTP server.
- **PASSIVE MODE** : Under normal circumstances the network camera simply requests the target FTP server to open the data connection. Checking this box issues a PASV command to the FTP server and establishes a passive FTP connection; whereby the network camera actively initiates both the FTP control and data connections to the target server. This is normally desirable if there is a firewall between the network camera and the target FTP server.
- **PORT** : Enter the port number used by the FTP server. The port number can be adjusted in the range 1-65535. The default setting is 21.
- **REMOTE DIRECTORY**: Specify the path to the directory where the uploaded images will be stored. If this directory doesn't already exist on the FTP server, an error message shows up when uploading.
- **USER NAME**: Enter the user name provided by the network administrator.
- **ANONYMOUS LOGIN**: Mark ANONYMOUS LOGIN checkbox if anyone is permitted to access the FTP server.
- **PASSWORD**: Enter the password provided by the network administrator.

Record
E-Mail
FTP
Video Boost
Notification Server

Enable

Server

Port

Remote directory

User name

Password

Passive mode

Anonymous login

JPEG Setting

Pre-event [sec] [fps]

Post-event [sec] [fps]

Prefix file name

Additional suffix None Date&Time Sequence number

Full Menu Setup

> JPEG SETTING : Configures JPEG for the FTP server.

- PRE-EVENT : Sets the time & the frame rate for JPEG images to be sent to FTP before the event.
- POST-EVENT : Sets the time & the frame rate for JPEG images to be sent to FTP after the event.
- PREFIX FILE NAME : Input the prefix for JPEG image file names to be sent to FTP.
- ADDITIONAL SUFFIX : Selects the suffix for JPEG image file names to be added after the file name. Selecting NONE will overwrite the previous file and thus DATE & TIME is most preferable.

• Video Boost

Sets the frame rate and bitrate for H.264 stream and the quality for JPEG stream at EVENT STATE when the event occurs.

[NOTE] Video boost is disabled during SD recording.

Alarm Out	E-Mail	FTP	Video Boost	Notification Server
Video Boost 1				
<input type="checkbox"/> Enable				
	Normal State		Event State	
Frame rate	28		30 <input type="button" value="v"/>	
Bitrate	2500		2500 <input type="button" value="v"/>	
Video Boost 2				
<input type="checkbox"/> Enable				
	Normal State		Event State	
Frame rate	30		30 <input type="button" value="v"/>	
Bitrate	1000		1000 <input type="button" value="v"/>	
Video Boost 3				
<input type="checkbox"/> Enable				

Full Menu Setup

• Notification Server

- > Mark ENABLE checkbox to notify the event to the notification server when it occurs.
 - TYPE : Selects the network protocol to connect the notification server.
 - SERVER URL : Input the server URL of the notification sever. To enable the audio when the event occurs, copy the URL at SETUP>AUDIO and paste it on the server URL like `http://x.x.x.x/setup/audio/audio.php`
 - USERNAME : Enter the username (default : admin)
 - PASSWORD : Enter the password (default : admin)
- > NOTIFICATION TEST: Input the test message and click TEST button.

[NOTE]

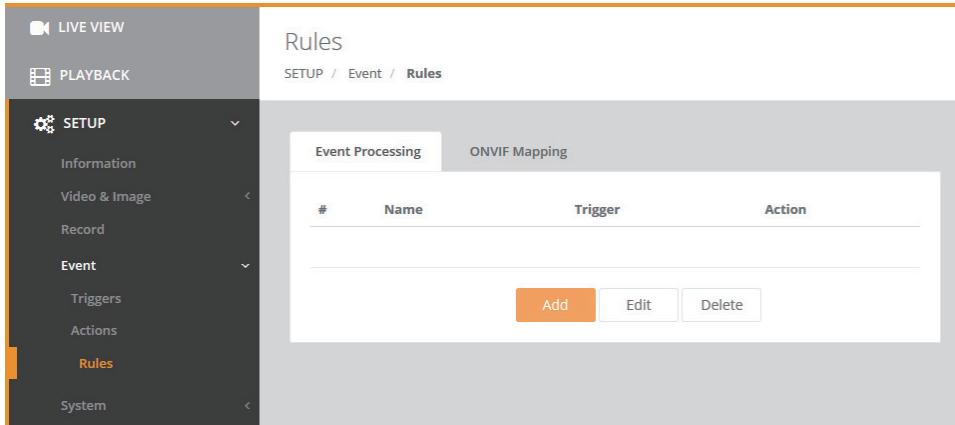
There could be several event actions like FTP, e-mail etc. For detailed URL per event actions, refer to API documents. In case Notification server is set as event rule, the same URL from Notification Test should be entered in RULE>ADD>NOTIFICATION SERVER.

The screenshot shows a web interface for configuring a Notification Server. At the top, there are tabs for 'Record', 'E-Mail', 'FTP', 'Video Boost', and 'Notification Server'. The 'Notification Server' tab is active. Below the tabs, there is a section for enabling the notification server. An 'Enable' checkbox is checked. Below this, there are four input fields: 'Type' (a dropdown menu set to 'HTTP'), 'Server URL' (a text box containing 'http://'), 'Username' (an empty text box), and 'Password' (an empty text box). Below these fields is a 'Notification Test' section. It contains a 'Message' text box and a 'Test' button.

Full Menu Setup

3-4-3. Rules

EVENT RULES menu defines and sets the parameters for what to do for the various event sources.



• **Event Processing**

Event process lists have to be generated and can be edited for what to do when the event occurs. List shows the rule name, trigger source and type of action for each event process. To edit or delete the rule in the list, click the listed line and then click EDIT or DELETE button.

ADDing & EDITing RULES

> NAME : Input the rule name which is descriptive to the rule.

EVENT TRIGGER

> TYPE : Select the type of the event trigger source.

EVENT ACTION

> E-MAIL :

- Input the email addresses to be emailed.
- Mark the checkbox for the email addresses to be emailed as set in SETUP>EVENT> ACTIONS>E-MAIL when the selected event occurs
- SUBJECT of email is a required field and ADDITIONAL INFO is optional to input.

> NOTIFICATION SERVER: Mark the checkbox to use the notification server as set in SETUP>EVENT> ACTIONS> NOTIFICATION SERVER when the selected event occurs.

- MESSAGE : Input the message to be sent to the notification server.

Full Menu Setup

- > FTP : Mark the checkbox to use FTP as set in SETUP>EVENT>ACTIONS>FTP when the selected event occurs.
- > VIDEO BOOST : Select the video stream to be boosted up.
[NOTE] Video boost is disabled if RECORD is enabled.
- > RECORD : (Available only with the built-in Storage feature version)
 Mark the checkbox to record the image into the built-in storage, if available, as set in SETUP>EVENT>ACTIONS>RECORD when the selected event occurs.

Add Rule ✕

Name

Event Trigger

Type AND

Event Action

Alarm out

E-Mail

Address1 Address2

Address3 Address4

Address5 Address6

Address7 Address8

Subject

Additional info

Notification Server

Message

FTP

Video Boost Video1 Video2 Video3 Video4

Record

Full Menu Setup

• ONVIF Mapping

Onvif mapping is provided to map the various events generated by this camera, but not defined by Onvif, to assign them to Onvif events for the Onvif compatible VMSeS or NVRs. Two mappings for Motion and Alarm In are provided to be mapped and can be used by editing them.

For example, any of the selected items in tns1:VideoSource/MotionAlarm will notify the Onvif compatible VMSeS or NVRs as Motion Alarm. In the same way, any of the selected items in tns1: Device/Trigger/Digital Input will notify the Onvif compatible VMSeS or NVRs as Alarm IN.

Event Processing		ONVIF Mapping
#	Event Topic	Event Notification
1	tns1:VideoSource/MotionAlarm	Motion Detection <input type="button" value="Edit"/>
2	tns1:Device/Trigger/DigitalInput	Network Loss <input type="button" value="Edit"/>

> Select which type of event notifications you want to send as motion alarm via ONVIF.
Event Notification: Motion Detection, VCA, Alarm IN(**), System Booting, Network loss, Manual Trigger, Timer, Day&Night, , Temperature(*)

(*) Not available with Fisheye dome model.

(**) Available only with Alarm supporting model.

Full Menu Setup

3-5. System

3-5-1. Security

• Users

Manages the user accounts by names, groups and authorities.

> USERS : Can be added, edited or deleted.

The screenshot shows the 'Security' management interface. The left sidebar is expanded to 'Security'. The main content area has tabs for 'Users', 'HTTPS', 'IP Filter', 'ONVIF', 'Video Stream', and 'Export / Import'. The 'Users' tab is active, displaying a table with the following data:

#	Name	Group	Authority
1	admin	administrator	live, setup, system

Below the table are three buttons: 'Add', 'Edit', and 'Delete'. A 'Save' button is located in the top right corner of the main content area.

The 'Add User' dialog box contains the following fields and options:

- Name:
- Password:
- Confirm Password:
- Group: (dropdown menu)
- ptz
- playback

Buttons: OK, Close

The 'Edit User' dialog box contains the following fields and options:

- Name:
- Password:
- Confirm Password:
- Group: (dropdown menu)

Buttons: OK, Close

Full Menu Setup

• HTTPS

Selects the CONNECTION MODE.

The screenshot shows the 'HTTPS' configuration page. At the top, there are tabs for 'Users', 'HTTPS', 'IP Filter', 'ONVIF', 'Video Stream', and 'Export / Import'. The 'HTTPS' tab is active. Below the tabs, there is a 'Connection mode' dropdown menu currently set to 'HTTP&HTTPS'. Below that, there is a checkbox labeled 'Redirect HTTP to HTTPS' which is checked.

- > HTTP : Transfers data without encryption. Supports a URL that only starts with "HTTP: "
- > HTTPS : Transfer data with encryption by Hypertext Transfer Protocol over SSL protocol. Supports a URL that only starts with "HTTPS: "
- > HTTP&HTTPS : Supports both HTTP and HTTPS protocols.
- > Redirect HTTP to HTTPS : Enables to redirect HTTP to HTTPS.

[NOTE]

To ensure security on the internet, all web browsers provide several security levels that can be adjusted for sites that use SSL (Secure Socket Layer) technology to transfer data. SSL encrypts communications, making it difficult for unauthorized users to intercept and view user names and passwords. SSL requires signed certificates to determine if the web browser accessing the camera has the required authentication. This camera can generate a self-signed certificate using Open SSL.

• IP Filter

- > Mark ENABLE IP ADDRESS FILTERING to filter the IP addresses.
- > Mark ON/OFF for the IP address range to use IP filtering.
- > Select ALLOW or DENY to permit or filter out the IP address range.
- > Input the IP address ranges with START IP and END IP.

The screenshot shows the 'IP Filter' configuration page. At the top, there are tabs for 'Users', 'HTTPS', 'IP Filter', 'ONVIF', 'Video Stream', and 'Export / Import'. The 'IP Filter' tab is active. Below the tabs, there is a checkbox labeled 'Enable IP address filtering' which is unchecked. Below that is a table with 5 rows for IP filtering rules. Each row has columns for 'On/Off', 'Priority', 'Policy', 'Start IP', and 'End IP'.

On/Off	Priority	Policy	Start IP	End IP
<input type="checkbox"/>	1	ALLOW <input type="checkbox"/>	0 . 0 . 0 . 0	0 . 0 . 0 . 0
<input type="checkbox"/>	2	ALLOW <input type="checkbox"/>	0 . 0 . 0 . 0	0 . 0 . 0 . 0
<input type="checkbox"/>	3	ALLOW <input type="checkbox"/>	0 . 0 . 0 . 0	0 . 0 . 0 . 0
<input type="checkbox"/>	4	ALLOW <input type="checkbox"/>	0 . 0 . 0 . 0	0 . 0 . 0 . 0
<input type="checkbox"/>	5	ALLOW <input type="checkbox"/>	0 . 0 . 0 . 0	0 . 0 . 0 . 0

Full Menu Setup

[NOTE] To add a subnet of network addresses, these must be added in CIDR (Classless Inter-Domain Routing) notation. For example: entering 192.168.1.0/24 will add all the addresses in the range 192.168.1.1 to 192.168.1.254. Contact your network administrator for more detail. If the network camera is accessed via a proxy server, the IP address for the proxy server must be added as an allowed address.

● ONVIF

> Mark ENABLE WS SECURITY to provide the ONVIF compliance.

● Video Stream

- > ENABLE RTSP AUTHORIZATION : If marked, the authorization is required when the RTSP is requested.
- > ENABLE JPEG SNAPSHOT AUTHORIZATION : If marked, the authorization is required when the Jpeg snapshot image is requested.
- > ENABLE JPEG/HTTP PUSH AUTHORIZATION : If marked, the authorization is required when the Jpeg/HTTP PUSH image is requested.

The screenshot shows the 'Video Stream' configuration menu. At the top, there are tabs for 'Users', 'HTTPS', 'IP Filter', 'ONVIF', 'Video Stream', and 'Export / Import'. The 'Video Stream' tab is selected. Below the tabs, there are three checkboxes, all of which are unchecked:

- Enable RTSP authorization
- Enable JPEG Snapshot authorization
- Enable JPEG/HTTP PUSH authorization

● Export / Import

> Mark ENABLE ENCRPTION FOR EXPORT AND IMPORT FILE :
System configuration file, which is exported at SETUP>SYSTEM>MAINTENANCE>SETUP EXPORT, is encrypted with the password herein.

[NOTE] THIS PASSWORD MUST BE USED when System configuration file is imported by other cameras if the file was exported with the password.

> If the checkbox is not marked, system configuration file is exported without encryption.

The screenshot shows the 'Export / Import' configuration menu. At the top, there are tabs for 'Users', 'HTTPS', 'IP Filter', 'ONVIF', 'Video Stream', and 'Export / Import'. The 'Export / Import' tab is selected. Below the tabs, there is a checkbox labeled 'Enable encryption for Export and Import file' which is checked. Below this checkbox are two password input fields:

- Password:
- Confirm Password:

Full Menu Setup

3-5-2. Date & Time

• **Current Time**

Shows the current date and time. Clicking SAVE tap updates and saves the date and time with the selected time in NEW TIME.

• **New Time**

Select one of the following server times.

> SYNCHRONIZE WITH COMPUTER TIME : Obtains the time from the computer.

> SET MANUALLY : Sets the date and time manually.

> SYNCHRONIZE WITH NTP SERVER : Obtains the time from the assigned NTP server at every hour in INTERVAL. The NTP server's IP address or host name has to be specified in the time server.

• **Time Zone**

Select the time zone to be referenced to the NTP server where the camera is installed. Mark AUTOMATICALLY ADJUST FOR DAYLIGHT SAVING CHANGES check box to update the time automatically with daylight savings.

• **Date & Time Display**

Select the date & time formats to be displayed.

The screenshot displays the 'Date & Time' configuration page. On the left is a navigation menu with options like LIVE VIEW, PLAYBACK, and SETUP. The main content area is titled 'Date & Time' and includes a 'Save' button. It is divided into three sections: 'Current Time' (showing 01-01-1970 and 23:57:25), 'New Time' (with 'Synchronize with computer time' selected, showing 13-01-2016 and 17:04:23), and 'Time Zone'.

Full Menu Setup

3-5-3. Network

• TCP/IP

> IPv4 ADDRESS :

- **OBTAIN IP ADDRESS VIA DHCP** : Gets the IP address assigned by the DHCP (Dynamic Host Configuration Protocol) server.
- **STATUS** : 'Allocated' shows that the IP address is obtained from the DHCP.
- **IP ADDRESS, SUBNET MASK, GATEWAY** : Displays the current IP address which is obtained from the DHCP.
- **USE THE FOLLOWING ADDRESS** : Requires the input of a static IP address manually.

> IPv6 ADDRESS : Mark ENABLE check box to use IPv6 address and click SAVE button, then new IPv6 address will be obtained.

> DNS :

- **OBTAIN DNS ADDRESS VIA DHCP SERVER** : Obtains the DNS address automatically assigned by DHCP server.
- **USE THE FOLLOWING DNS ADDRESS** : Requires manual input as per below.
 - **DOMAIN NAME** : Enter the domain for the host name
 - **PRIMARY DNS SERVER** : Enter the IP address of the primary DNS server.
 - **SECONDARY DNS SERVER** : Enter the IP address of the secondary DNS server.

> HOSTNAME : This camera can be accessed using a host name instead of an IP address. The host name is usually the same as the assigned DNS name.

The screenshot displays the 'Network' configuration page. The left sidebar shows the 'SETUP' menu with 'Network' highlighted. The main area shows the 'IPv4 Address' configuration with the following details:

- Obtain IP address via DHCP server** (Selected)
- Status**: Allocated
- IP address**: 192 . 168 . 0 . 87
- Subnet mask**: 255 . 255 . 255 . 0
- Gateway**: 192 . 168 . 0 . 1
- Use the following IP address** (Unselected)

Full Menu Setup

IPv6 Address	
<input type="checkbox"/> Enable	
IPv6 address	fe80::211:22fffe33:4455/64
DNS	
<input checked="" type="radio"/> Obtain DNS address via DHCP server	
<input type="radio"/> Use the following DNS address	
Domain name	
Primary DNS	168 . 126 . 63 . 1
Secondary DNS	0 . 0 . 0 . 0
Hostname	
Hostname	RWS-H4MIPAF39-IR001122334455
Port	
HTTP port	80
HTTPS port	443
RTSP port	554
Ethernet Property	
Speed & Duplex	Auto <input type="checkbox"/>

Full Menu Setup

> PORT :

- HTTP PORT : Use a port number in the range 1024-65535. Default is 80.
- HTTPS PORT : Use a port number in the range 1024-65535. Default is 443.
- RTSP PORT : Use a port number in the range 1024-65535. Default is 554.

> Ethernet Property : Enable to set speed and duplex.

● **DDNS** (Dynamic Domain Naming Service)

> Mark ENABLE checkbox to use DDNS.

> DDNS server : Select the DDNS server to use.

> Input REGISTERED HOST name, USER NAME, PASSWORD and INTERVAL.

[NOTE]

If the camera has not been registered to the DDNS host previously, the registration is required. If the camera is already registered but its IP address changes, the DDNS must be updated with this new IP address. It will update at a regular interval.

TCP/IP	DDNS	RTP	UPnP	Zeroconf	Bonjour
<input type="checkbox"/> Enable					
DDNS server		dyndns.org <input type="button" value="v"/>			
Registered host		<input type="text"/>			
User name		<input type="text"/>			
Password		<input type="text"/>			
Confirm password		<input type="text"/>			
Update interval		1 hour <input type="button" value="v"/>			

Full Menu Setup

• RTP

- > **START PORT & END PORT** : RTP port range defines the range of the ports from which ports of the video/audio are automatically selected. This feature is useful if the camera is connected to a NAT router with manually configured port mapping. Limit the range of the ports permitted for RTP unicast/multicast by entering **START PORT** and **END PORT**.
- > **MULTICAST - STREAM1, 2, 3** : Only IP addresses within certain ranges can be used for multicasting. The camera has been pre-configured with addresses from these ranges and does not normally need to be reconfigured. If an address needs to be changed, please contact the network administrator.
 - Mark **ENABLE** checkbox to use the multicast for each stream.
 - **DESTINATION IP**: Type IP address in the range. Multicast addresses are allocated according to these IANA policies.
 - **PORT** : Use the port number in the range 1024-65532. Default is 4000.
 - **TTL** : When IP packets or data fails to be delivered to the destination within TTL (Time To Live), this setting tells the network router when to discard the packet. The value is usually measured in 'hops', i.e. the number of network routers that can be passed before the packet arrives at its destination or is dropped.

TCP/IP	DDNS	RTP	UPnP	Zeroconf	Bonjour
Start port		<input type="text" value="30000"/>	[30000... 39800; Only even values are available]		
End port		<input type="text" value="30199"/>			
Multicast - Stream 1					
<input type="checkbox"/> Enable					
Destination IP		<input type="text" value="231"/> · <input type="text" value="1"/> · <input type="text" value="128"/> · <input type="text" value="20"/>	[224.0.0.0... 239.255.255.255]		
Port		<input type="text" value="40000"/>	[1024... 65530; Only even values are available]		
TTL		<input type="text" value="1"/>	[1... 255]		
Multicast - Stream 2					
<input type="checkbox"/> Enable					
Destination IP		<input type="text" value="231"/> · <input type="text" value="1"/> · <input type="text" value="128"/> · <input type="text" value="21"/>	[224.0.0.0... 239.255.255.255]		
Port		<input type="text" value="40000"/>	[1024... 65530; Only even values are available]		
TTL		<input type="text" value="1"/>	[1... 255]		
Multicast - Stream 3					

Full Menu Setup

• *UPnP*

UPnP is enabled by default so that the network camera can be automatically detected by operating systems and clients that support this protocol.

> FRIENDLY NAME : Enter the name up to 32 alphanumeric characters like Model Name-MAC address.

[NOTE]

UPnP must also be enabled on your Windows computer. To do this, open the Control Panel from the Start Menu and select Add/Rename programs. Select Add / Remove Windows Components and open the Networking Services section. Click Details and then select UPnP as the service to add.

TCP/IP DDNS RTP **UPnP** Zeroconf Bonjour

Enable

Friendly name

• *Zeroconf*

ZeroConf (Zero configuration) networking enables the network to establish automatically with the automatic assignment of numeric network addresses (zeroconf IP addresses) without requiring manual operator intervention or special configuration servers when the DHCP server is not available in the network.

> Mark ENABLE to use ZeroConf networking.

> ZeroConf ADDRESS : 169.254.xxx.xxx as default.

TCP/IP DDNS RTP UPnP **Zeroconf** Bonjour

Enable

Zeroconf address

• *Bonjour*

Bonjour is Apple's implementation of zero-configuration networking (zeroconf), a group of technologies that includes service discovery, address assignment, and hostname resolution.

TCP/IP DDNS RTP UPnP Zeroconf **Bonjour**

Enable

Friendly name

Full Menu Setup

3-5-4. Language

4 languages are available to select from English, Deutsch (German), Français (French), and 한국어 (Korean).

3-5-5. Maintenance

The screenshot shows the 'Maintain' menu with the following options:

- Restart**: Restart the unit.
- Reset**: Resets all parameters to the original factory settings, except the IP address and PTZ configurations.
- Default**: Resets all parameters to the original factory settings.

The 'Upgrade' section includes a note:

- Please make sure that 'Reset' is essential after downgrading the firmware.
- Please do the Reset in SETUP > System > Maintenance > Reset.

Below the note, there is a text area that says 'Drop file here or click to upload' and an 'Upgrade' button.

The 'Setup Export' section has a text area that says 'Save all parameters and user-defined script to a export file.' and an 'Export' button.

The 'Setup Import' section has a text area that says 'Import configurations from exported file.' and an 'Import' button.

● **Maintain**

- > **RESTART** : Restarts the camera without changing any settings.
- > **RESET** : Restarts and loads the factory settings but does not change IP address and PTZ settings.
- > **DEFAULT** : Loads and saves the factory defaults for all parameters including IP address and PTZ settings.

[CAUTION]

Do not disconnect the power or network cable during RESET or DEFAULT operations.

Full Menu Setup

• **Upgrade**

Bring the firmware file to the drop box or click the drop box to browse for the firmware file, and then click the UPGRADE button.

[**CAUTION**] Do not disconnect the power or network cable during firmware UPGRADE.

• **Setup Export**

Current configurations for the camera can be saved as a file by clicking the EXPORT button.

• **Setup Import**

The exported configuration file from a reference camera or a backup configuration can be imported and configured/reloaded onto other cameras.

[**NOTE**]

- SETUP EXPORT/SETUP IMPORT can only be used on the same camera models with the same firmware. This feature is not intended for the configuration of multiple units or for firmware upgrades.
- When the encrypted System configuration file with the password is imported, type the password at SETUP>SYSTEM>SECURITY>EXPORT/IMPORT with the SAME password which was used in exporting the system configuration file from the reference camera. Otherwise, 'INVALID FILE' error appears.

3-5-6. Logs & Report

• **Logs**

The log file records the story into the unit since the system restarts.

- > DATABASE CAPACITY: Shows the useable system memory space for Log file.
- > SEARCH CONDITION: Allows you to search the log as per the type. E.g. System, Access, Event and Media, Start-End date and Start-End time.
- > LOG LIST: Shows the logs as per the search.

• **Logs Server**

Mark ENABLE checkbox to receive log data from camera to server.

- > TLS Encryption: Mark checkbox to encrypt the communication data.
- > Type: Selects the network protocol to connect the server.
- > Format: Selects the log protocol.
- > Server address: Inputs the server address.
- > Server port: Inputs the server port.

• **Report**

Provides overall information about the server status.

Full Menu Setup

4. 4 EYES PRINCIPLE

> Four Eyes Principle Setting :

- Mark ENABLE checkbox to enable 4 EYES PRINCIPLE function.

Only Administrators(user authority) are authorized to ENABLE/DISABLE 4 EYES PRINCIPLE function.

Two individual administrators who have Playback authority, should approve in order to playback recorded data on Micro SD card for data security.

One administrator should click Approval #1 and the other administrator should click Approval #2.

- Mark DISABLE checkbox to disable 4 EYES PRINCIPLE function.

Single administrator(user authority) can access PLAYBACK menu and replay recorded data on Micro SD.

All users with Playback authority can access the PLAYBACK menu.

> How to set 4 EYES PRINCIPLE :

- 1) LOGIN with Administrator 1(admin) and add User in SETUP > System > Security > Users.

Added User should be Administrator or Operator.

Playback box should be marked when added User is Operator.

The screenshot shows the camera's web interface. On the left is a navigation menu with 'LIVE VIEW', 'PLAYBACK', and 'SETUP'. The 'SETUP' menu is expanded to show 'Security'. The main area displays the 'Security' page with a breadcrumb 'SETUP / System / Security' and a 'Save' button. Below the breadcrumb is a table of users:

#	Name	Group	Authority
1	admin	administrator	live, setup, system, ptz, playback
2	ronix1	administrator	live, setup, system, ptz, playback

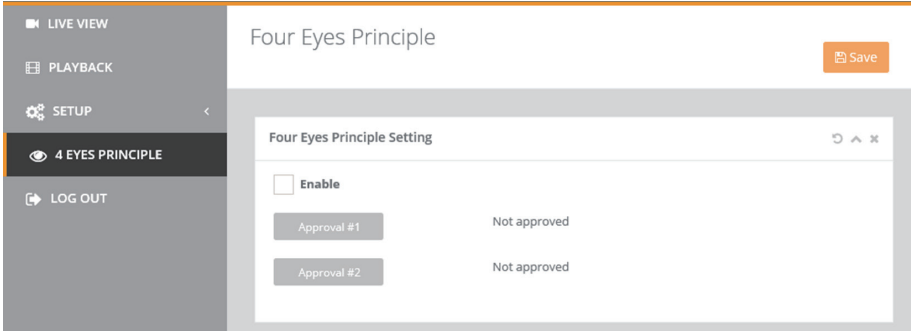
An 'Add User' dialog box is overlaid on the right. It contains the following fields and options:

- Name:
- Password:
- Confirm Password:
- Group: (dropdown menu)
- ptz
- playback (circled in blue)

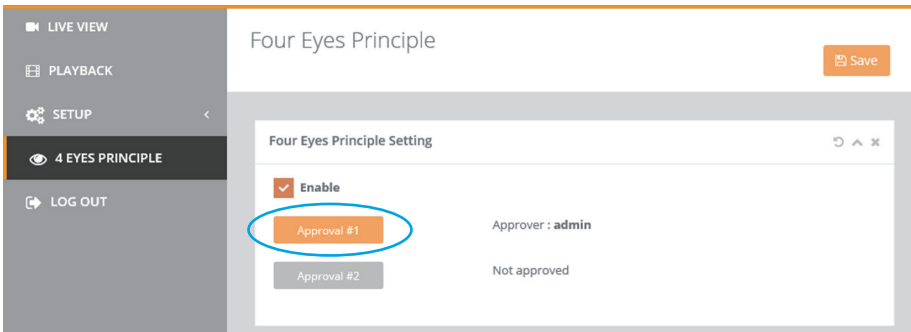
At the bottom of the dialog are 'OK' and 'Close' buttons.

Full Menu Setup

- 2) Mark ENABLE/DISABLE checkbox to ON/OFF 4 EYES PRINCIPLE function(Default: OFF).
"Save" button should be pressed after ENABLE/DISABLE checkbox.
Only Administrators are authorized to ENABLE/DISABLE 4 EYES PRINCIPLE function.

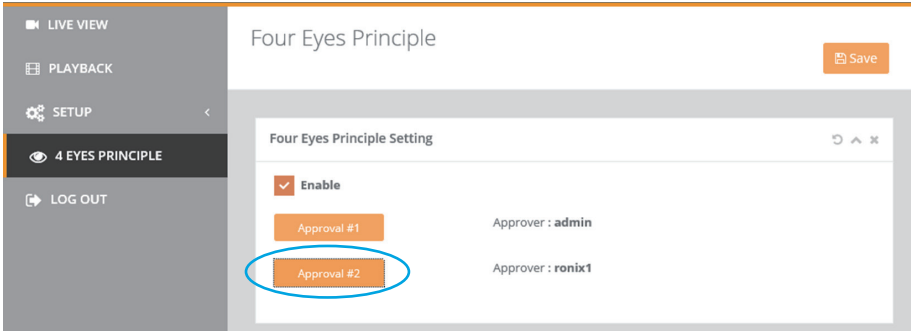


- 3) Press Approval #1 and activate(approval) in 4 EYES PRINCIPLE menu.
If it is LOG OUT, Approval #1(#2) becomes inactivated(disapproval) so it shouldn't be LOG OUT.

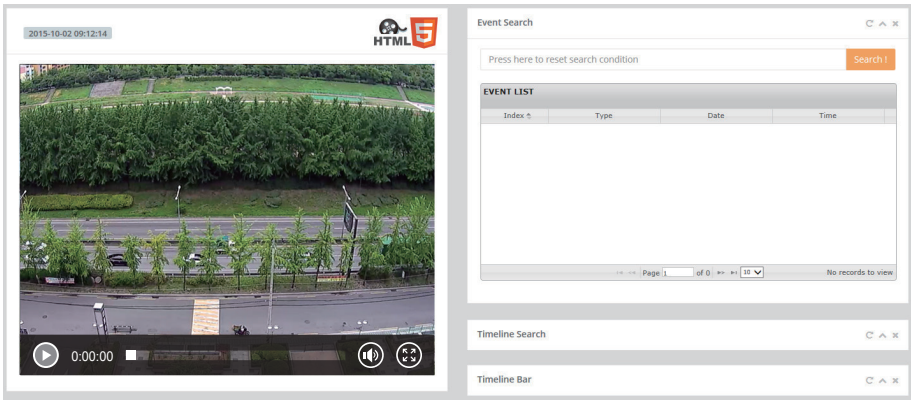


Full Menu Setup

- 4) Open NEW Web browser and LOGIN with newly added User account.
Press Approval #2 and activate(approval) in 4 EYES PRINCIPLE menu.



- 5) Once Approval #1(#2) is complete, check the recorded video in PLAYBACK menu.



Troubleshooting

If you suspect a problem is being caused by incorrect configuration or some other minor problem, consult the troubleshooting guide below.

Upgrading the Firmware

Firmware is software that determines the functionality of the network camera. One of your first actions when troubleshooting a problem should be to check the current firmware. The latest version may contain a correction that fixes your particular problem. The current firmware version in your camera is displayed on the Basic Configuration or About. For the latest firmware of the camera, please contact with your product administrator.

Detailed instructions on how to perform the upgrade process are provided with each new release.

General Troubleshooting

The following list covers some of the problems that may be encountered and suggests how to remedy them:

Symptom	Guide
The camera cannot be accessed by some clients.	If using a proxy server, try disabling the proxy setting in your browser. Check all cabling and connectors.
The camera works locally, but not externally	Check if there are firewall settings that need to be adjusted. Check if there are router settings that need to be configured.
Poor or intermittent network connection.	If using a network switch, check that the port on that device uses the same setting for the network connection type (speed/duplex).
The camera cannot be accessed via a host name.	Check that the host name and DNS server settings are correct.
Not possible to log in.	When HTTPS is enabled, ensure that the correct protocol (HTTP or HTTPS) is used. When attempting to log in, you may need to manually type in http or https in the browser's address bar.
No image using Refresh and/or slow updating of images.	If images are very complex, try limiting the number of clients accessing the camera.
Images only shown in black & white.	Check the Video & Image setting.
Blurred images.	Refocus the camera.

Troubleshooting

Poor image quality.	Increased lighting can often improve image quality. Check that there is sufficient lighting at the monitored location. Check all image and lighting settings.
Rolling dark bands or flickering in image.	Try adjusting the Exposure Control setting under AE and AWB part.
H.265, H.264 not displayed in the client.	Check that the correct network interface is selected in the Video & Image/Stream.
Multicast H.265, H.264 not displayed in the client.	Check with your network administrator that the multicast addresses used by the camera are valid for your network. Check that the Enable multicast checkbox are enabled in the System/Network/RTP tab. Checks with your network administrator to see if there is a firewall preventing viewing.
Multicast H.265, H.264 only accessible by local clients.	Check if your router supports multicasting, or if the router settings between the client and the server need to be configured. The TTL value may need to be increased.
Color saturation is different in H.265, H.264 and Motion JPEG.	Modify the settings for your graphics adapter. Please see the adapter's documentation for more information.
Poor audio quality.	Too many users/clients connected to the camera may affect the sound quality adversely. Try limiting the number of clients allowed to connect.
Distorted audio.	Check that the correct Audio Input source is selected. Select Microphone for a connected external microphone. Select Line for a connected line in source.



eneo® is a registered trademark of
VIDEOR E. Hartig GmbH
Exclusive distribution through specialised
trade channels only.

VIDEOR E. Hartig GmbH
Carl-Zeiss-Straße 8
63322 Rödermark/Germany
Tel. +49 (0) 6074 / 888-0
Fax +49 (0) 6074 / 888-100
www.videor.com
www.eneo-security.com

Technical changes reserved

© Copyright by VIDEOR E. Hartig
GmbH Version 01/2022