

SPE-110A

Network Video Encoder

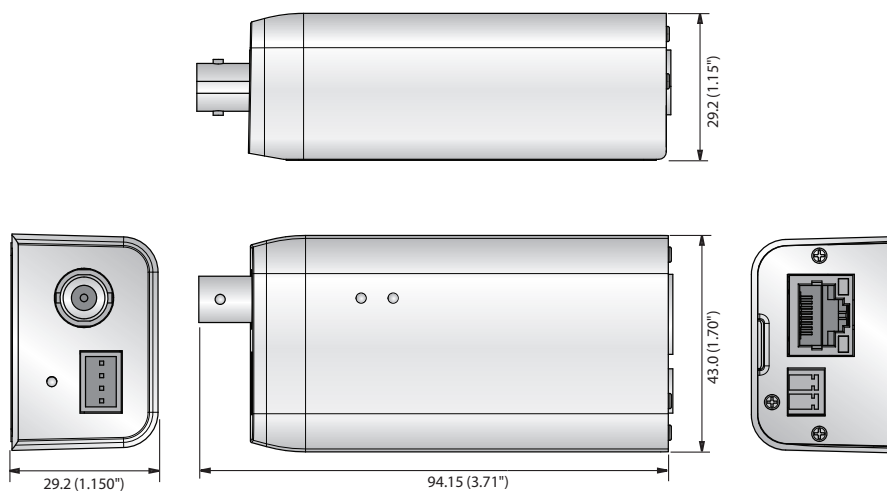


Key Features

- Max. 4MP resolution
- Max. 15fps@4MP, Max. 30fps@2MP
- Motion detection, Video loss, Tampering
- H.264, MJPEG codec support
- Multiple streaming (Up to 3 profiles per CH)
- Coaxial control, 10/100 Base-T

Dimensions

Unit : mm (inch)



SPE-110A

VIDEO	
Input Channel	1CH BNC 1.0 Vp-p / 75Ω composite NTSC/PAL
Input Signal & Resolution	CVBS, AHD (1, 2&4MP), CVI (1 & 2MP), TVI (1 & 2MP) Auto / Manual Detection
OPERATIONAL	
Motion Detection	Off / On (4ea rectangular)
Privacy Masking	Off / On (4ea rectangular zones)
De-Interlacing	Support
Alarm Trigger	Motion Detection, Video Loss, Tampering
Alarm Events	File Upload Via FTP, E-mail
Remote Control Interface	1ea RS-485 / 422
RS-485 Protocol	SAMSUNG-T, PELCO-P / D
Coaxial Control	NTSC / PAL : Pelco-C (Coaxitron) AHD : ACP (AHD Coax Protocol)
NETWORK	
Ethernet	1 RJ-45 10/100 Base-T
Video Compression Format	H.264 (MPEG-4 Part 10/AVC) : Main / Baseline / High, MJPEG
Resolution	4MP, 1920 x 1080, 1280 x 720, 928 x 480(N), 704 x 480(N), 704 x 240(N), 352 x 240(N), 640 x 360, 928 x 576(P), 704 x 576(P), 704 x 288(P), 352 x 288(P)
Max. Framerate	- Main Stream 4MP : 15fps/CH, 1080p/720p/WD1/4CIF/CIF : 30fps/CH(N), 25fps/CH(P) - Sub Stream WD1/4CIF : 12fps/CH, 2CIF/CIF/QVGA/QCIF : 30fps/CH(N), 25fps/CH(P) - MJPEG : 2fps @ 1920x1080, 1280x720, 960H, D1
Bitrate Control Method	H.264 : CBR or VBR MJPEG : CBR
Streaming Capability	Dual Streaming (Up to 3 Profiles per channel)
IP	IPv4, IPv6
Protocol	TCP/IP, UDP/IP, RTP(UDP), RTP(TCP), RTCP,RTSP, NTP, HTTP, HTTPS, SSL/TLS, DHCP, PPPoE, FTP, SMTP, ICMP, IGMP, SNMPv1/v2c/v3(MIB-2), ARP, DNS, DDNS, QoS, PIM-SM, UPnP, ONVIF, Bonjour
Security	HTTPS (SSL) Login Authentication, Digest Login Authentication IP Address Filtering, User Access Log, 802.1X Authentication (EAP-TLS, EAP-LEAP)
Streaming Method	Unicast / Multicast
Max. User Access	6 users at Unicast Mode
Webpage Languages	English, French, German, Spanish, Italian, Russian, Turkish, Polish, Dutch, Swedish, Portuguese, Czech , Korean, Chinese, Japanese, Hungarian, Greek
Web Viewer	Supported OS : Windows 7, 8.1, 10, Mac OS X 10.10, 10.11, 10.12 Supported Browser : Google Chrome 63, MS Edge 41, Mozilla Firefox 57 (Windows 64bit only), Apple Safari 11 (Mac OS X only), Microsoft IE11
Application Programming Interface	ONVIF profile S, SUNAPI (HTTP API)
Central Management Software & Recoder	SmartViewer, SSM, WiseNet Mobile Viewer, NVR (Hanwha Techwin P / X / Q series)

SPE-110A

ENVIRONMENTAL

Operating Temperature / Humidity	-10°C ~ +50°C / 20% ~ 80% RH
----------------------------------	------------------------------

ELECTRICAL

Input Voltage / Current	DC12V, PoE(IEEE 802.3af)
Power Consumption	Max. 3.6W (DC 12V), Max. 4.0W (PoE)

MECHANICAL

Color / Material	White (Plastic), Silver (Metal)
Dimension (WxHxD)	43.0 x 29.2 x 94.15mm (1.693" x 1.150" x 3.706")
Weight	104g (0.229 lb)

* The latest product information / specification can be found at hanwha-security.com

* Design and specifications are subject to change without notice.

* Wisenet is the proprietary brand of **Hanwha Techwin**.