

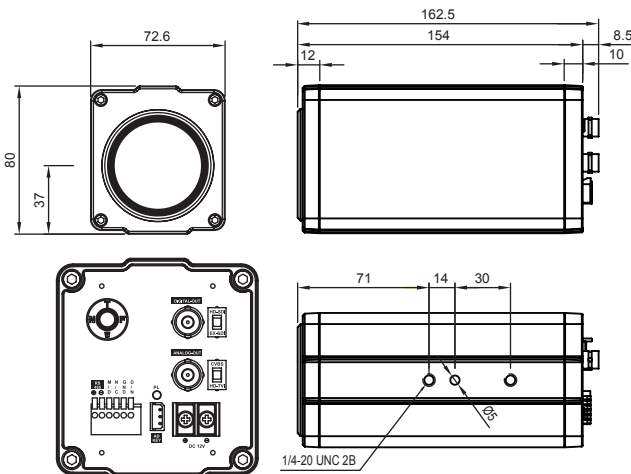
Box camera 30x zoom



Eigenschappen

- 1/2" 2MP Sony CMOS sensor
- 1080p 60/50fps, 1080p 30/25fps, 720p 60/50fps, 720p 30/25fps
- HD-SDI, EX-SDI, TVI, CVBS
- 30x optische zoom (6~180mm) & 32x Digitale Zoom
- Real-time True WDR
- Digital Noise Reduction(2D+3D)
- Digital Slow Shutter
- Digital Image Stabilizer
- Defog Function
- High Light Compensation
- ACE(Digital WDR)
- Privacy Mask Function
- Motion Detection
- Protocol(VISCA, Pelco-D, Pelco-P)

Afmetingen (mm):



CAMERA	
Image Sensor	1/2" Sony CMOS Sensor
Total Pixels	1952 (H) x 1241 (V) = 2.42M Pixels
Active Pixels	1937 (H) x 1097 (V) = 2.12M Pixels
Video Format	Digital : 1080p/30(25)fps, 720p/60(50)fps, 720p/30(25)fps
Min. Illumination	Color 0.15 lux / DSS 0.0375lux B/W 0.01 lux / DSS 0.002 lux
S/N Ratio	more than 50dB (AGC off)
Video Output	HD-SDI, EX-SDI, TVI, CVBS

LENS		30x		
Lens Type	30x Day & Night Zoom Lens			
Zoom Ratio	30x Optical, 32x Digital Zoom			
Focal Length	f = 6 mm ~ 180.0 mm			
Aperture Ratio	F1.5 (wide) ~ F4.3 (tele)			
Angle Of View (D, H, V)	WIDE	68.6°	61.2°	35.7°
	TELE	2.65°	2.32°	1.31°

CAMERA FUNCTIES	
Camera Title	ID / Title / Zoom Ratio / System Message
Day & Night	Auto / Day / Night / Ext-in
WDR/BLC	Off / WDR / BLC / HLC
ACE	Off / Low / Middle / High
DNR	Auto / Off / Low / Middle / High
Defog	Off / On(Auto / Manual)
Image Stabilization	Off / On
Motion Detection	Off / On (3 positions)
Privacy Mask	Off / On (24 positions)
Digital Slow Shutter	Off / x2 / x4 (/ x8 : 60 or 50fps mode only)
Gain Control	Off / On
White Balance	Auto / One Push / Manual / Indoor / Outdoor
Shutter Speed	1/30(25) ~ 1/30,000 sec
E.Zoom	Off / x2 ~ x32
Digital Flip	Off / H / V / H&V

Algemeen	
Power Source	12Vdc ±10%
Power Consumption	Max 500mA
Operating Temperature	-10°C ~ +50°C / 0% ~ 90% RH
Dimensions	72.6(W) x 80(H) x 162.5(D) mm
Weight	0.82Kg

Wijzigingen voorbehouden!