

[SC-TP0104LD/SC-TP0104C]

It is the economic transceiver (transmitter + receiver) that transmits the video from CCTV camera up to max. 400m over one CAT. 5 UTP cable. The power loop through via harness as well. As it is designated to compatible with various applications, it can be linked with any type of camera, DVR.

Features

- Video transmission up to Max 400m
- Passive operation
- Excellent interference immunity
- Easy of installation with BNC harness
- Compact size
- Low infrastructure costs with easy maintenance
- DC power jack (SC-TP0104LD) for camera working.
- RJ-45 connector type (SC-TP0104LD)
- 2pin terminal block type (SC-0104C)

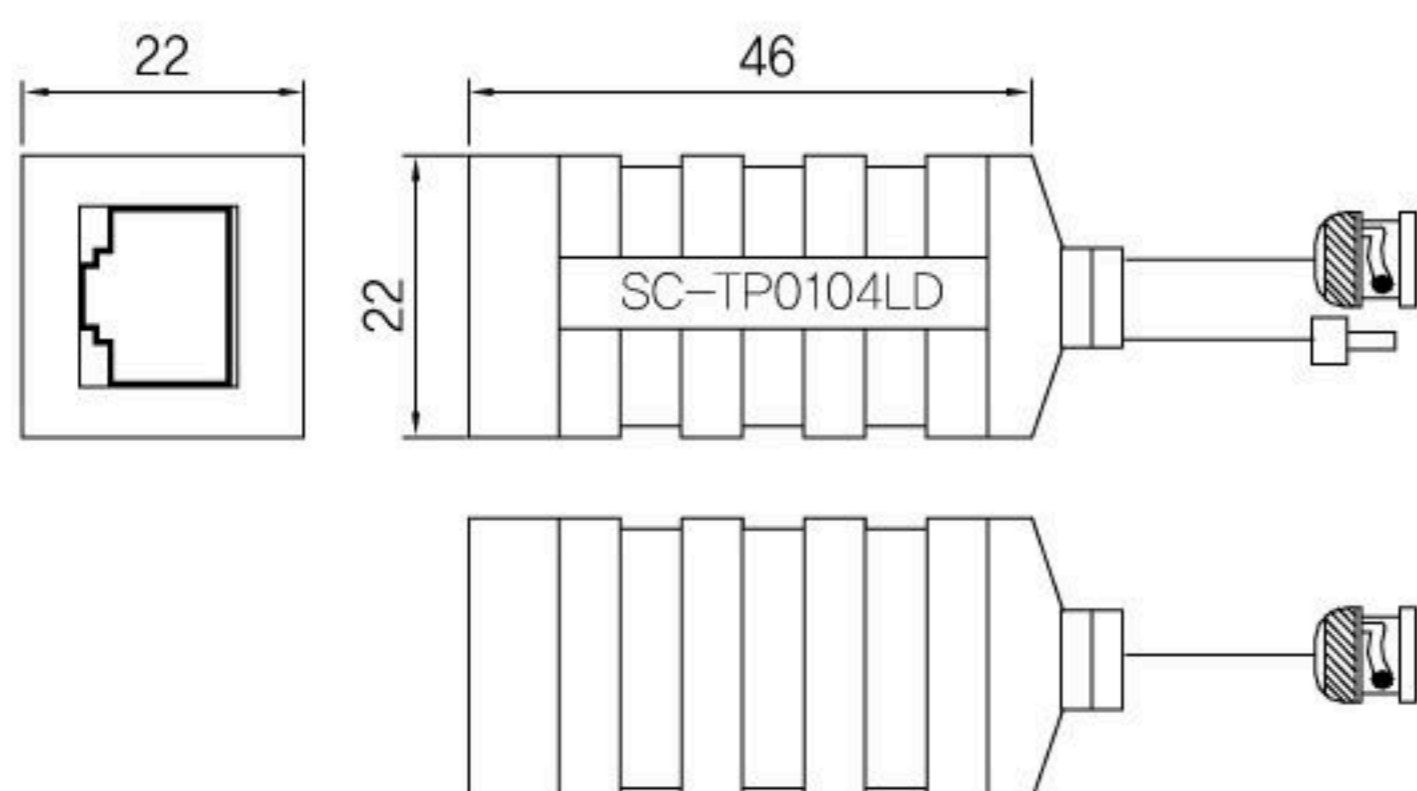
Specifications

MODEL		SC-TPL0104LD(Passive Transceiver)
Video IN/Out		CVBS 1.0Vp-p, 75Ω
Video IN/Out		Balanced Differential Signal
POWER	INPUT	DC power for camera(DC-M Harness)
	OUTPUT	Loop Through(DC-F, M Harness)
Bandwidth		DC to 6MHz
Max. distance (CAT 5)		400m
Connect Port	INPUT	DC-F & BNC Harness or DC-M & BNC Harness
	OUTPUT	RJ-45 or BNC Harness
Temperature / Humidity		-10°C ~ +50°C / 0 ~ 80%
Casebody / Weight		PVC/ 50g
Dimension(mm)		46(W) x 22(H) x 22(D)

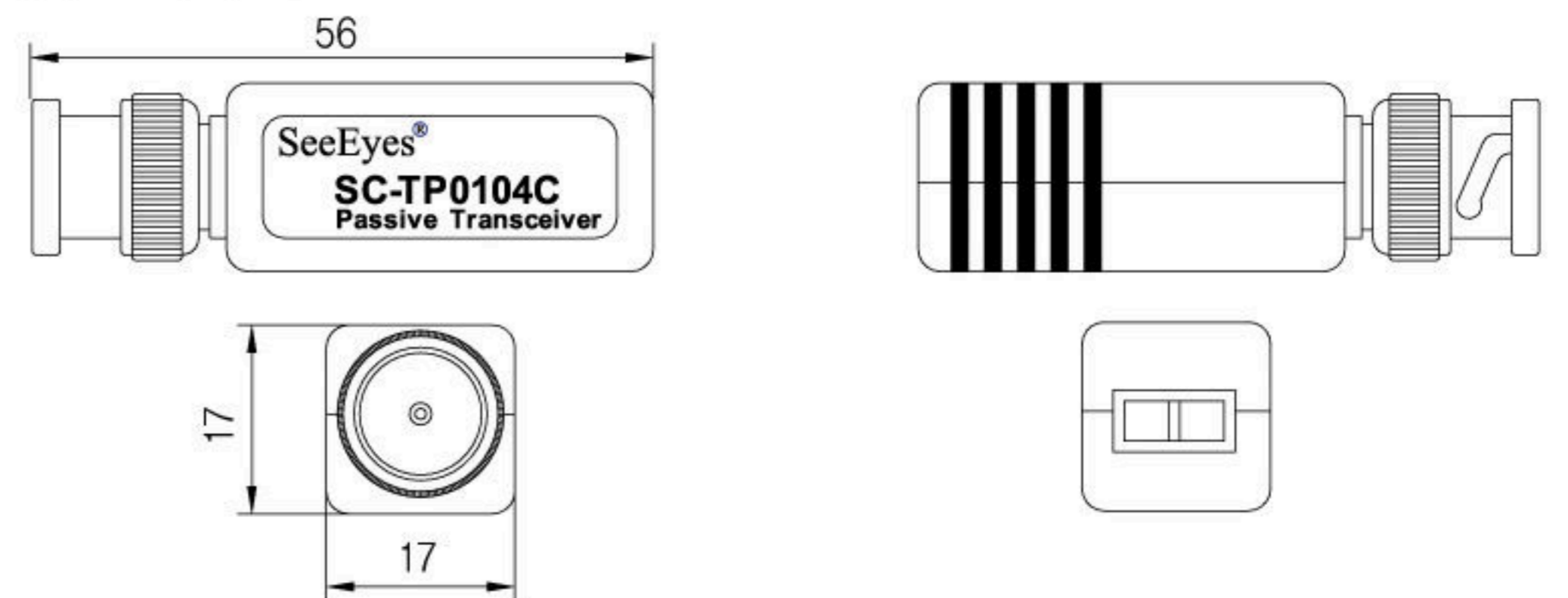
MODEL		SC-TPL0104C(Passive Transceiver)
Video IN/Out		CVBS 1.0Vp-p, 75Ω
Video IN/Out		Balanced Differential Signal
Bandwidth		DC to 6MHz
Max. distance (CAT 5)		400m
Connect Port	INPUT	2P Terminal Block or BNC-M
	OUTPUT	2P Terminal Block or BNC-M
Temperature / Humidity		-10°C ~ +50°C / 0 ~ 80%
Casebody / Weight		ABS/ 20g
Dimension(mm)		56(W) x 17(H) x 17(D)

Dimensions

SC-TP0104LD



SC-TP0104C



[SC-TP0104LD]



[SC-TP0104C]



Connection Diagram

