

SC-IPC07P

'Ethernet + Power' over One COAX

SC-IPC07P, which consists of SC-IPT07P (1CH Transmitter) and SC-IPR07P (1CH Receiver), transmits Ethernet data and power over only one coaxial cable. Our solution is very cost-effective by minimizing construction period and cost as you can replace your old coaxial system to network by keeping your coaxial cable without any separate power lines unlike the typical network systems used with UTP cables only.



Features

- Transmit 'Ethernet data + Power(PoC)' over one coaxial cable
- Enable supplying power(PoE) to a PoE camera (~30W)
- Long-distance Ethernet data transmission
 - 100Mbps: Max. 500m (RG-6), Max. 300m (RG-59)
 - 10Mbps: Max. 1Km (RG-6), Max. 700m (RG-59)
- Built-in 10/100Mbps bandwidth switch(extension switch) for transmission bandwidth optimization by distance
- PoE ON/OFF switch mounted on the transmitter (SC-IPT07P)
- Cost-effective solution by keeping existing coaxial cable
- Reduce the construction cost and period with no need of any separate power lines
- Auto diagnosis function for stable power supply
- Support MULTICAST
- Compact size for easy installation (Wall mount brackets provided)
- Built-in surge protection circuit

Specifications

MODEL	SC-IPT07P (1CH Transmitter)
Max. Digital Transmission Bandwidth	TCP Rate: 100Mbps (Bandwidth Switch: 100Mbps Mode)
Max. Self-Power Consumption	2W
Power Input	PoC (Power over Coax) from SC-IPR07P
Power Output	Midspan PoE
Max. Power(PoE) Supply	30W
Max. Transmission Distance	RG-6 : 500m(100Mbps), 1Km(10Mbps) RG-59 : 400m(100Mbps), 800m(10Mbps)
Temperature / Humidity	-10°C ~ +50°C / 0 ~ 80%
Connection Port	RJ-45 X 1 / BNC-F X 1
Case Body / Weight	ABS / 60g
Dimensions (mm)	90(W) x 55(H) x 24(D)
MODEL	SC-IPR07P (1CH Receiver)
Max. Digital Transmission Bandwidth	TCP Rate: 100Mbps (Bandwidth Switch: 100Mbps Mode)
Max. Self-Power Consumption	2W
Power Input	DC 48V~56V Adapter or PoE
Max. Power(PoE) Supply	30W
Max. Transmission Distance	RG-6: 500m(100Mbps), 1Km(10Mbps) RG-59: 400m(100Mbps), 800m(10Mbps)
Temperature / Humidity	-10°C ~ +50°C / 0 ~ 80%
Connection Port	RJ-45 X 1 / BNC-F X 1
Case Body / Weight	ABS / 62g
Dimensions (mm)	90(W) x 55(H) x 24(D)

[SC-IPT07P]



[SC-IPR07P]



verwacht

[SC-IPT07PW - Waterproof type]



[Wall mount brackets for Tx./Rx.]



[DC48V Adapter]

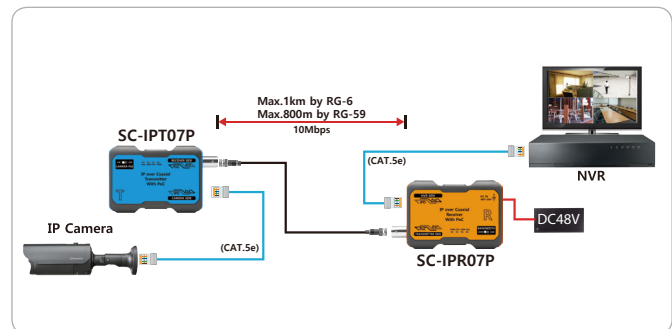


Max. Transmission Distance by Cable Types

Bandwidth	RG-6	RG-59	RG-58
100Mbps	500m	300m	300m
10Mbps	1Km	700m	800m

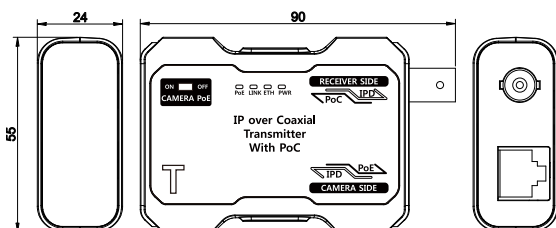
※ Bandwidth can be set by the bandwidth switch on the receiver (SC-IPR07P).

Connection Diagram

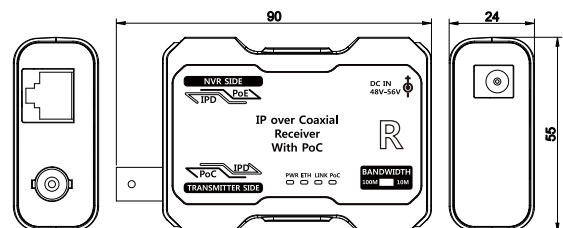


Dimensions

[SC-IPT07P]



[SC-IPR07P]



wijzigingen voorbehouden