

SNC-WR630

Network Rapid Dome Full HD Camera – W Series

SONY

1080p/60 fps Rapid Dome Camera Powered by IPELA ENGINE PRO™



- Maximum resolution of 1920 x 1080 pixels with the Exmor™ CMOS sensor
- Powerful 30x optical zoom capability
- Dynamic range equivalent to 130 dB in Full HD mode achieved with View-DR technology
- Industry-leading levels of panning performance with a pan speed of 700°/s
- Gyroscopic Image Stabilizer
- Focal Plane Distortion Correction technology
- Defog Image Processing feature
- High frame rate of 60 frames per second (fps)

KEY FEATURES

- IPELA ENGINE PRO signal processing system developed based on Sony's unique signal processing and intelligent video analytics technologies to provide unique features such as a high frame rate, View-DR, XDNR, DEPA™ Advanced Intelligent Video Analytics, Gyroscopic Image Stabilizer, Focal Plane Distortion Correction, and Defog Image Processing.

IPELA
ENGINE PRO

- Industry's leading 30x optical zoom capability to shoot various scenes over an extremely wide area, allowing capture of high-resolution images even from a great distance
- View-DR – Sony's innovative wide dynamic range technology – to capture objects clearly and adaptively even under very harsh, severe backlight or highlight conditions

View-DR



OFF



ON

Actual Images

- Gyroscopic Image Stabilizer to help minimize the effect of camera shake or vibration, reducing any image blur
- Focal Plane Distortion Correction technology to correct any image distortion generated in a scene by the CMOS sensor focal plane phenomenon
- DEPA Advanced Intelligent Video Analytics to trigger an alarm based on user-defined rules



- Defog Image Processing feature to increase image visibility in poor weather conditions such as rain, fog, or smog



OFF



ON

Actual Images*

* The image on the right is produced with the camera's Defog Image Processing feature, after the camera shot this application photo as its subject.

- Visibility Enhancer (VE) to optimize the brightness and color reproduction of an image dynamically on a pixel-by-pixel basis while continuously adapting to the scene within the given dynamic range
- XDNR (eXcellent Dynamic Noise Reduction) technology for clear images with virtually no motion blur under low illumination
- High frame rate of 60 fps to provide smoother and less blurry moving pictures
- Picture mode selectable from a range of camera scenes in the settings menu to optimize picture quality in various applications
- True D/N (Day/Night) function to switch to Day or Night mode depending on the light level
- VBR (variable bitrate) or CBR (constant bitrate) compression mode selectable to correspond with various network conditions
- Edge Storage function to record video and audio data with an SD/SDHC card attached to the camera
- Easy initial network settings by supplied SNC Easy IP Setup Guide application
- Smartphone viewer to display an image of the camera on the smartphone's screen and control the camera's pan, tilt, and zoom functions by simple touch-panel manipulation
- ONVIF (Open Network Video Interface Forum) Profile S conformance firmware that ensures greater interoperability and more flexibility in building multi-vendor systems



Connect Your Vision

IPELA™

SPECIFICATIONS

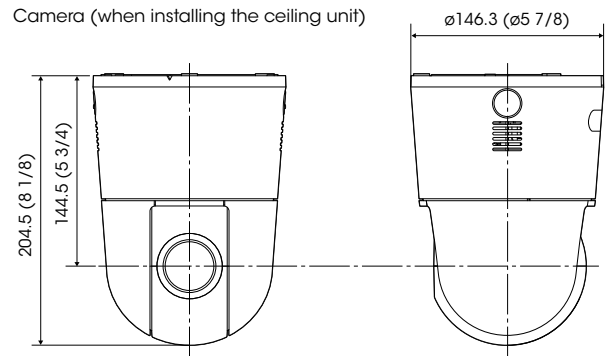
	SNC-WR630
Camera	
Image Sensor	1/3-type progressive scan Exmor CMOS sensor
Number of Effective Pixels	Approx. 2.38 Megapixels
Signal System	NTSC/PAL (switchable)
Sync System	Internal synchronization
Minimum Illumination (50 IRE)	Color: 1.4 lx (F1.6, View-DR OFF, VE OFF, AGC ON, 1/30 s, 30 fps) B/W: 0.15 lx (F1.6, View-DR OFF, VE OFF, AGC ON, 1/30 s, 30 fps)
Minimum Illumination (30 IRE)	Color: 1.0 lx (F1.6, View-DR OFF, VE OFF, AGC ON, 1/30 s, 30 fps) B/W: 0.1 lx (F1.6, View-DR OFF, VE OFF, AGC ON, 1/30 s, 30 fps)
Dynamic Range	Equivalent to 130 dB with View-DR technology
S/N Ratio (Gain 0 dB)	More than 50 dB
Gain	Auto/Manual (-3 dB to +28 dB)
Shutter Speed	1/1 s to 1/10,000 s
Exposure Control	Full auto, Shutter priority, Iris priority, Manual
White Balance	ATW, ATW PRO, Indoor, Outdoor, Fluorescent lamp, Mercury lamp, Sodium vapour lamp, Metal halide lamp, White LED, One push WB, Manual
Lens	Auto-focus zoom lens
Powered Zoom	Yes
Zoom ratio	Optical zoom 30x Digital zoom 12x Total zoom 360x
Powered Focus	Yes
Auto Focus	Yes
Horizontal Viewing Angle	63.7° to 2.3°
Vertical Viewing Angle	38.5° to 1.3°
Focal Length	f = 4.3 mm to 129.0 mm
F-Number	F1.6 (Wide) to F4.7 (Tele)
Minimum Object Distance	300 mm
Pan/Tilt Angle (Powered)	360° endless rotation/220°
Pan Speed	700°/s (max.)*1
Tilt Speed	700°/s (max.)*1
Number of Preset Positions	256
Number of Tour Programs	5
Camera Features	
Day/Night	True D/N
Wide-D	View-DR
Tone Correction	Visibility Enhancer (VE)
Defog Image Processing	Yes
Noise Reduction	XDNr
Image Stabilizer	Gyroscopic Image Stabilizer
Picture Mode	Yes
Privacy Masking (number)	12
Privacy Masking (shape)	Quadrangle
Privacy Masking (color/effect)	Opaque: 14 colors (Black, White, Red, Green, Blue, Cyan, Yellow, Magenta, Gray (6 scales)), Mosaic
Edge Storage	Yes
Voice Alert	Yes
Vandal Resistant	No
Ingress Protection	No
Superimpose Number	3 independent positions for characters (Codec, Date & Time, Event, Direction, Text (max. 64 characters)), 1 independent position for logo marks
Superimpose Language	English
Menu Language	English, Japanese, Chinese (simplified), Chinese (traditional), French, Spanish, German, Italian, Korean, Portuguese, Russian, Arabic, Hindi, Vietnamese, Thai
Smartphone viewer	Yes
Video	
Resolution	1920 x 1080, 1280 x 720, 1024 x 576, 720 x 576, 720 x 480, 704 x 576, 640 x 480, 640 x 360, 352 x 288, 320 x 184, (H.264, JPEG)
Compression Format	H.264 (High/Main/Baseline Profile), JPEG
Maximum Frame Rate	H.264: 60 fps (1920 x 1080) JPEG: 60 fps (1280 x 720)
Bitrate Compression Mode	CBR/VBR (selectable)
Range of Bitrate Setting	64 Kbps to 32 Mbps
Adaptive Rate Control	H.264
Multi Streaming Capability	Triple streaming
Number of Clients	20
Intelligent Video Analytics	
Analytics Architecture	DEPA Advanced
Intelligent Motion Detection	Yes
Face Detection	Yes
Tamper Alarm	Yes
Scene Analytics	Passing, Intrusion, Left Object Detection, Removed Object Detection
Audio	
Compression Format	G.711/G.726/AAC (16 kHz, 48 kHz)
System Requirements	
Operating System	Windows XP (32 bit) Professional Edition Windows Vista (32 bit) Ultimate, Business Edition Windows 7 (32/64 bit) Ultimate, Professional Edition Windows 8 Pro (32/64 bit)
Processor	Intel Core i7 2.8 GHz or higher
Memory	2 GB or more
Web Browser	Microsoft Internet Explorer Ver. 7.0, Ver. 8.0, Ver. 9.0, Ver. 10.0 Firefox Ver. 19.02 (plug-in free viewer only) Safari Ver. 5.1 (plug-in free viewer only) Google Chrome Ver. 25.0 (plug-in free viewer only)

	SNC-WR630
Network	
Protocols	IPv4, TCP, UDP, ARP, ICMP, IGMP*2, HTTP, DHCP, DNS, NTP, RTP/RTCP, RTSP over TCP, SMTP over HTTP, IPv6, HTTPS, SNMP (v1, v2c, v3), SSL
QoS	DSCP
Multicast Streaming Support	Yes
ONVIF Conformance	Profile S
Authentication	IEEE 802.1X
Interface	
Analog Video Output	BNC x1, 1.0 Vp-p, 75 Ω, unbalance, sync negative
Microphone Input	Mini jack (monaural), MIC IN/LINE IN: 2.5 V DC plug-in power
Line Input	Mini jack (monaural)
Line Output	Mini jack (monaural), Maximum output level: 1 Vrms
Network Port	10BASE-T/100BASE-TX (RJ-45)
Alarm Input (Sensor Input)	x4, make contact, break contact
Alarm Output	x2, 24 V AC/DC, 1 A (mechanical relay outputs electrically isolated from the camera)
Serial Interface	RS-422/RS-485 (PELCO D protocol)
Card Slots	SD Card x 1
Confirmed SD Card Type	4/8/16/32 GB SDHC (no support for SDXC)
General	
Power Requirements	IEEE802.3at compliant (HPoE system), AC 24 V, DC 12 V
Power Consumption	25.0 W max.
Operating Temperature	-5°C to +50°C (23°F to +122°F)
Cold Start Temperature	0°C to +50°C (32°F to 122°F)
Storage Temperature	-20°C to +60°C (-4°F to +140°F)
Operating Humidity	20% to 80%
Storage Humidity	20% to 95%
Built-in Heater	No
Dimensions (W x H x D)	ø146.3 mm x 204.5 mm (ø5 7/8 inches x 8 1/8 inches)
Mass	Approx. 1.7 kg (3 lb 12 oz)
External Material	Base cabinet: PC + ABS Camera cabinet: PC + ABS Side cabinet: PC + ABS
External Color	Base cabinet: 4.4BG 8.4/0.2 Camera cabinet: 3.9PB 0.3/1.0 Side cabinet: 3.9PB 0.3/1.0
Safety Regulations	JATE Technical Standard (LAN) UL2044, IEC60950-1 (CB) VCCI (Class A), FCC (Class A), IC (Class A) Emission: EN55022 (Class A) + EN50130-4 Immunity: EN55022 (Class A) + EN55024 Emission: AS/NZS CISPR22 (Class A) KCC EMC-TR
Supplied Accessories	CD-ROM (supplied programs) (1) Installation Manual (1) Ceiling unit (1) Ceiling bracket (1) Fixing screws (M4 x 10) (3) 3-pin power connector (1) BNC cable (1) I/O cable (1) Template (1) Cable clamp (1) Cable clamp fixing screws (M2.6 x 8, tapping screw) (2)
Optional Accessories	YHLD124C (Dome Cover Clear) YHLD124S (Dome Cover Smoked) YHCB630 (In-ceiling Bracket)

*1 Available when the preset mode is ON.

*2 SSM (Source Specific Multicast) is supported.

DIMENSIONS



Unit: mm (inches)

Distributed by

©2014 Sony Corporation. All rights reserved.

Reproduction in whole or in part without permission is prohibited. Features and specifications are subject to change without notice.

The values for mass and dimension are approximate. SONY, IPELA, IPELA ENGINE PRO, Exmor, and DEPA are trademarks of Sony Corporation.

All other trademarks are the property of their respective owners.