

CD1004F2-EI-A

Network compact dome, 2.8 mm fixed lens, 4MP, H.264/MJPEG, IP66, IR, no audio

- ✓ 1/3" Progressive scan CMOS imager
- ✓ 2.8 mm fixed lens
- ✓ 4 MP @ 20 fps
- ✓ 2MP @ 25/30 fps
- ✓ Dual stream H.264/H.264 or H.264/MJPEG
- ✓ Line crossing and intrusion detection
- ✓ 3D DNR
- ✓ 120 dB WDR
- ✓ Support 128 GB onboard storage
- ✓ IP66 / IK08
- ✓ 12 Vdc / 802.3af PoE



Description

The CD1004F2-EI-A is able to capture high-quality coloured images. The camera offers 4 Megapixel resolution with reduced frame rate, or full-HD resolution with a frame rate up to 30 fps.

Multistream high definition

CD1004F2-EI-A cameras have dual-stream capability for simultaneous streaming of H.264/H.264 or H.264/MJPEG. Multiple combinations of resolution and frame rate can be configured to satisfy different live viewing and recording scenarios

ONVIF

The CD1004F2-EI-A fully supports the international ONVIF standard, providing standardised access and integration with ONVIF-compliant video management systems.

Smart Codec

Smart Codec functions include Smart Recording with dual VCA, low bit rate and low latency modes, ROI enhancement, multistreaming, Rotate mode, and Edge Recording.

Privacy masks

Privacy masks cover sections of the image. This feature is often requested for such situations as city centre surveillance and point of sale keypads.

Wide dynamic range

In situations where the observed object is unclear due to being under- or overlit (such as in a hallway entrance with many windows), wide dynamic range solves the problem of overlit images by taking the best of two pictures with different light references.

Power source choices

The CD1004F2-EI-A can be powered by 12 Vdc (DC jack) or over the network with 802.3af-compliant PoE sources.

Day/night

Under poor lighting conditions, the CD1004F2-EI-A automatically becomes infrared sensitive by removing the IR-cut filter. This feature ensures that even in minimal light, the camera still produces clear images. To further enhance the picture, the camera comes as standard with IR LEDs.

CD1004F2-EI-A

Technical specifications

Camera	
Image sensor	1/3" Progressive scan CMOS
Minimum scene illumination	0.3 lux color; 0.03 lux (b/w); 0 lux with IR
Shutter speed	1/3 s to 1/10,000 s
Slow shutter	Support
Lens	Fixed lens, 2.8 mm, F2.0
Horizontal field of view	106.0°
Auto iris	DC drive
Day/Night	IR-cut filter removable (ICR)
IR illuminator	10 pcs, 850 nm
IR Distance	Up to 10 m
Wide dynamic range (WDR)	120 dB
Image enhancement	3D DNR / ROI / BLC
Image settings	Rotation mode, Saturation, Brightness, Contrast, and Sharpness adjustable by client software or web browser
Distortion correction	Support
White Balance	Manual, AWB1, Locked WB, Fluorescent lamp, Incandescent lamp, Warm light, Natural light
Video	
Compression algorithm(s)	H.264, MJPEG, H.264i
H.264 type	Main profile
Video bit rate	Mainstream: 32kbps~16384kbps Substream: 32kbps~8192Mbps
Max. resolution	2688 x 1520
Frame rate	Main: 2688x1520 (20/20fps), 1920x1080 (25/30fps), 1280x720 (25/30fps) Sub: 640x360(20/15fps), 352x288(20/15fps)
Reverse	Normal, Flip, Mirror, Vertical Mode, 180°
Video Text Overlay	Text string (40 characters), Subtitle (30 characters), Date/Time
Privacy Masks	4
Video Streaming	Dual stream: H.264 + H.264 or H.264 + MJPEG
Intelligent feature set	
Line crossing detection	Cross a predefined virtual line
Intrusion detection	Enter and loiter in a predefined virtual area
Motion detection	8 user-defined, rectangle masking; adjustable detection level, sensitivity, time interval
Tampering alarm	On / off / by schedule
Storage	
Onboard storage	Built-in Micro SD/SDHC/SDXC slot, up to 128 GB
Network storage	NAS (supports NFS, SMB/CIFS)
Network	
Interface(s)	1x 10M/100M Base (RJ-45) Ethernet port
Protocols	TCP/IP, UDP, ICMP, HTTP, HTTPS, FTP, DHCP, DNS, DDNS, RTP, RTSP, RTCP, PPPoE, NTP, UPnP, SMTP, SNMP, IGMP, 802.1X, QoS, IPv4/IPv6, Bonjour
Standards	ONVIF (Profile S, Profile G), PSIA, CGI, ISAP
Security	User authentication, Watermark, IP address filtering, Anonymous access, Encrypted streaming

CD1004F2-EI-A

Technical specifications

Powering

Power consumption	Max. 5 W
Power supply	12 Vdc (DC barrel socket 5.5/2.1) / 802.3af PoE

Environmental

Operating temperature	-30 °C to +60 °C (-22 °F to +140 °F)
Relative humidity	95% or less (no condensation)
Ingress protection rating	IP66

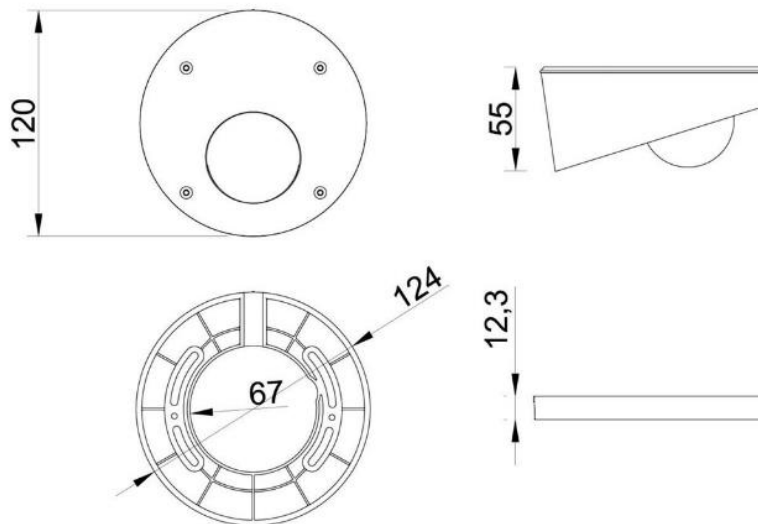
Mechanical

Dimensions (h x w)	55 x Ø 120 mm (2.2 x Ø 4.7 in)
Dimensions with mounting plate (h x w)	67 x Ø 124 mm (2.6 x Ø 4.9 in)
Weight	0.6 kg (1.3 lbs)
Reset button	Yes
Impact rating	IK08

Order information

CD1004F2-EI-A	Network compact dome, 4.0 mm fixed lens, 4MP, H.264/MJPEG, IP66, IR, no audio
---------------	---

Dimensions



The quality management system used in the development, production, sales, and support of this product is ISO 9001 certified by LRQA.

© Siquira B.V. 2017 - Version 1.2 - Subject to modification.



SECURITY SOLUTIONS