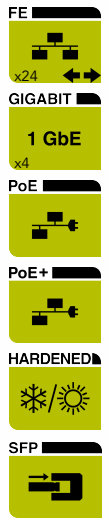


Features

- Managed 24- plus 4-port Ethernet switch with Power over Ethernet (PoE)
- 24x 10/100Base-TX PoE ports
- PoE budget of 123 W per eight ports
- IEEE 802.3at (30 W) maximum per individual port
- 4x 1000Base-FX SFP ports
- Field-hardened
- Non-blocking store-and-forward switching
- Password-protected web interface
- IGMP multicast and Rapid Spanning Tree
- VLAN tagging (802.1Q)



XSNet™ C4224SW PoE

24- plus 4-port field-hardened Ethernet switch with PoE

Description

The Siqura XSNet C4224SW PoE switch plays a crucial role in the reliable transport of IP streams and powering edge devices at max 30 W per port. It comprises 24 10/100Base-TX ports and four 1000Base-FX SFP ports. The C4224SW PoE is field-hardened.

The C4224SW PoE delivers a maximum of 123 W per eight ports. Individual ports can deliver up to 30 W (IEEE 802.3at).

Reliable operation

The C4224SW PoE provides exceptional performance under severe conditions. For example, performance is not hindered by mechanical stress (vibration and shock) or extreme temperatures. This robust nature provides an ideal solution for critical infrastructure and traffic applications.

This compact switch offers Rapid Spanning Tree to ensure prompt switchover times and to secure reliable transport of video, audio, and data streams. The C4224SW PoE utilises IGMP for reliable transport of multicast data. Quality of Service is addressed via QoS (IEEE 802.1p) and tagged VLANs (802.1Q), crucial functions for reliable real-time services.

Configuration

The C4224SW PoE offers 24 independent 10/100Base-TX ports, featuring autonegotiation and auto-MDI/MDIX. With four SFP 1000Base-FX ports, the C4224SW PoE can connect to other network infrastructures.

Mounting

This Siqura® XSNet switch comes as a stand-alone or as a 19"/1 RU module.

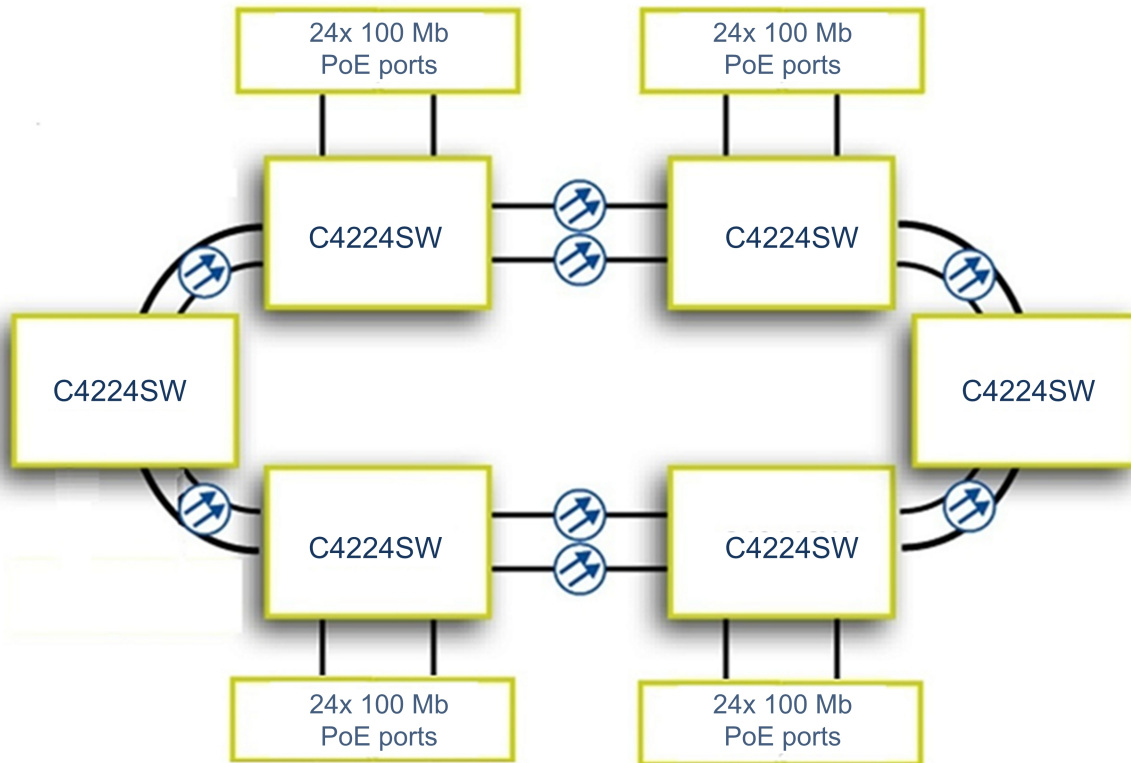
Power supply

The C4224SW PoE is powered by an external 48-57 Vdc power supply.



Technical Specifications

XSNet™ C4224SW PoE



Performance

Address table size	8192 addresses
Switching fabric	Non-blocking
Switching method	Store-and-forward

Electrical

Interface(s)	24 x 10/100Base-TX
PoE	15.4 W (IEEE 802.3af) 30 W (IEEE 802.3at), maximum 123 W per eight ports
Connector type	24 RJ-45
Maximum distance	100 m

Optical

Interface(s)	4x 1000Base-X SFP slot
Connector type	4x SFP slot (empty)

Alarm

Alarm relay	NO, NC
Alarm connector	Terminal block

Technical Specifications

XSNet™ C4224SW PoE

Standards

IEEE 802.3i	10Base-T specification
IEEE 802.3u	100Base-TX and 100Base-FX
IEEE 802.3x	Full-duplex operation and flow control
IEEE 802.3z	100Base-FX
IEEE 802.1p	QoS
IEEE 802.1Q	Tagged VLAN
IEEE 802.1w	Rapid Spanning Tree Protocol
IEEE 802.1x	Port-based network access control
IEEE 802.3af	Power over Ethernet (PoE) (15.4 W)
IEEE 802.3at	Power over Ethernet (PoE+) (30 W)

Management

Multicast	IGMP snooping (v1, v2, v3)
Management agent	SNMP (v1, v2c, v3), RMON
LED status indicators	
DC	Power indication (green)
Alarm	Alarm status (red)
Per electrical port	Link/activity (green)
Per optical port	Link/activity (green)
Management protocols	
Out-of-band	Command line interface in RS-232 console, DB9 connector
In-band	SNMP (v1, v2c, v3), HTTP (password protected), TFTP

Powering

Power consumption	30 W maximum, without PoE
Power connector	Terminal block
Input voltage range	44 to 57 Vdc (for PoE, 15.4 W) 50 to 57 Vdc (for PoE+, 30 W)

Environmental

Operating temperature	-40 °C to +75 °C (-40 °F to +167 °F)
Storage temperature	-40 °C to +85 °C (-40 °F to +185 °F)
Relative humidity	5% to 95% with no condensation
MTBF (Mean Time Between Failures)	> 135.000 h
Safety and EMC	IEC/EN 61000; IEC/EN 55022, FCC part 15

Mechanical

Dimensions (h x w x d)	44 x 442 x 343 mm (1.7 x 17.4 x 13.5 in)
Weight	5.2 kg (11.4 lbs)
Housing	19" rack-mount (1 RU)

Technical Specifications

XSNet™ C4224SW PoE

Ordering Information

Models	Description
C4224SW PoE	24-port 10/100BASE-TX PoE + 4-port 1000BASE-FX SFP hardened managed switch
Power supply	External 48 Vdc; recommended type PSR 48 DC-480W



The quality management system used in the development, production, sales, and support of this product is ISO 9001:2008 certified by LRQA.

© Siquira B.V. 2014 - Version 1.0 - Subject to modification.

