

FD822V2IR

Network fixed dome, 2.8-12 mm varifocal, 2 MP, H.264/MJPEG, IR, WDR, IP66

- ✓ 1/2.8" Progressive Scan CMOS
- ✓ 2MP @ 60 fps
- ✓ 2.8-12 mm varifocal lens
- ✓ 120 dB WDR
- ✓ Quad-stream H.264 and MJPEG video
- ✓ Built-in IR illuminator
- ✓ IP66 ingress protection
- ✓ IK10 impact rating
- ✓ 24 Vac, 24 Vdc, 12 Vdc, 802.3at PoE
- ✓ ONVIF Profile S conformant



Description

The FD822V2IR is a 2MP HD outdoor fixed dome camera with built-in IR illumination providing clear images under any lighting condition. The camera has a IP66 construction and a IK10 vandal resistant housing.

Multistream high definition

The camera has quad-stream capability for simultaneous streaming of H.264/H.264 or H.264/MJPEG. Multiple combinations of resolution and frame rate can be configured to satisfy different live viewing and recording scenarios. 2 Mpixel resolution is available at 60 fps, a full-HD 1080p stream at 60 fps can be combined with a second stream at 30 fps. Each selected resolution-frame rate combination can be freely set to a stream number.

Open standards

Multiple options are available to easily integrate the FD822V2IR to a video management system. In support of open standards, the camera is compliant with the ONVIF Profile S specification.

Image optimisation

The FD822V2IR provides automatic day/night functionality with configurable thresholds and built-in IR illuminator, for use in low-light situations. Backlight compensation enhances image visibility in difficult lighting situations. The FD822V2IR provides two modes for wide dynamic range. The first mode uses different gain ratios for different illuminated areas to bring details in the darker areas of an image without saturation in the brighter parts. The second mode uses a 2 shutter mechanism which applies two different exposure settings to capture both darker and lighter areas with excellent details. The resulting image is the optimal aggregation of both exposures. The available image optimisation methods ensure quality pictures at all times.

Power source choices

The FD822V2IR can be powered by 12 Vdc, 24 Vdc, 24 Vac, or over the network with 802.3at-compliant PoE sources.

Privacy masks

Privacy masks cover sections of the image. This feature is often requested for such situations as city centre surveillance and point of sale keypads.

FD822V2IR

Technical specifications

Camera	
Image sensor	1/2.8" Progressive Scan CMOS
Effective pixels	1920(H) x 1080(V)
Minimum scene illumination	0.03 lux @ F1.4 color, 0.003 lux @ F1.4 (b/w) (30IRE), 0 lux with IR
Shutter speed	1 ~ 1/10.000 sec
Lens	Varifocal 2.8 ~ 12 mm, F1.4
Lens type	Auto iris, DC Drive
Horizontal field of view	98° (Wide) ~ 36° (Tele)
Functions	
Privacy masks	5
Text and picture overlay	Date, time, date & time, text string (15 characters)
Video motion detection	On, Off, By schedule
Video motion detection alarm	Alarm output, record video clip, send alarm message, upload image
Network failure detection	On, Off, By schedule
Network failure detection alarm	Alarm output, record video clip, send alarm message, upload image
Tamper detection	On, Off, By schedule
Tamper detection alarm	Alarm output, record video clip, send alarm message, upload image
Time laps	On/Off
Time laps action	Upload image
Recording	On, Off, By schedule
Recording destination	SD card/ Network share
Face detection	On, Off, By schedule
Face detection alarm	Alarm output, record video clip, send alarm message, upload image
Audio detection	On, Off, By schedule
Audio detection alarm	Alarm output, record video clip, send alarm message, upload image
Image control	
Wide dynamic range	On/Off
- WDR value	120 dB
Exposure	Auto, Manual
White balance	Auto, ATW, Manual, Indoor, Outdoor
Contrast	Manual
Brightness	Manual
Saturation	Manual
Hue	Manual
Sharpness	Manual
Day/Night function	Auto, Night, Day, Light sensor, IR light compensation, Smart
Noise reduction	Off, 3DNR (low, medium, high), 2DNR (On/Off), Gamma WDR (On/Off)
Backlight compensation	On/Off
Digital zoom	16x
Image rotation	Normal, Flip, Mirror, 180° Rotate

FD822V2IR

Technical specifications

Video				
Compression algorithm(s)	H.264 (baseline / main / high profile); MJPEG			
Number of compression instances	Quad stream. Any combination of H.264 streams with possibly one MJPEG stream.			
Output streams	Any output stream can be freely configured to one of the resolution/frame rate formats.			
Supported resolutions	1920x1080, 1280x1024, 1280x720, 1024x768, 800x600, 720x480, 640x480, 352x240, 176x120			
Compression capabilities	(indication, other combinations possible)			
Resolution format	format 1	format 2	format 3	format 4
H.264 instances in 50/60fps	1920x1080 1280x1024 1280x720	- 800x600 720x480	- - 640x480	- - -
H.264 instances in 25/30fps	1920x1080 1920x1080 1920x1080 1920x1080	- 1280x1024 1280x1024 1280x720	- - 800x600 800x600	- - - 720x480
MJPEG	One of the above resolution formats in each instance can be MJPEG instead of H.264 if the resolution is lower than or equal to 1920x1080			
Compression bit rate control	Constant bit rate (CBR), variable bit rate (VBR)			
Output bit rate (per H.264 stream)	Up to 8192 kbit/s			
Total H.264 output	26624 kbit/s			
Number of video output streams	Up to 20 (RTSP)			
Total output data rate (max)	50000 kbit/s			
Video frame rate	1 to 60 fps / 1 to 50 fps			
Analogue video output	PAL/NTSC			
Connector type	BNC (1.0 Vpp in 75 Ω) on a breakout cable			
Audio				
Two-way audio	Line in, Line out			
Compression	G.711 (μ-law, a-law) / G.726			
Bit rate	G.711: 64 Kbps G.726: 16 Kbps, 24 Kbps, 32 Kbps, 40 Kbps			
Sample rate	G.711: 8 KHz / G.726: 8 KHz			
Input level, Output level	Adjustable gain			
Connector type	Multifunction terminal block			
Alarm inputs/output				
Input	0 - 5 V, 10 kΩ pull-up			
Output	Photo relay output 300 Vdc/ac			
Operational modes	Normally open; normally closed			
Connector type	Multifunction terminal block (D+, D-)			
Storage				
Storage options	Supports up to 128 GB capacity of SD/SDHC/SDXC memory (fat32)			
Network storage	NAS			

FD822V2IR

Technical specifications

Network	
Interface(s)	10/100/1000 Ethernet
Network protocols	IPv4/v6, TCP/IP, UDP, RTP, RTSP, HTTP, HTTPS, ICMP, FTP, SMTP, DHCP, PPPoE, IGMP, PNAC (IEEE 802.1x), QoS
Connector type	RJ-45
Management	
Supported browsers	Internet Explorer (6.0+), Chrome, Firefox, Safari
Security	HTTPS, IP Filter, PNAC (IEEE 802.1x)
Protocols	UPnP, SNMP, ONVIF Profile S
Password levels	User and Administrator
User accounts	20
Powering	
Power consumption	Max. 13.4 W
Power	24 Vac / 24 Vdc / 12 Vdc / 802.3at PoE+
Connector type	2-pin terminal block
Environmental	
Operating temperature	-50 °C to +55 °C (-58°F to 131°F)
Start-up temperature	-50 °C (-58°F)
Relative humidity	10% to 90%, no condensation
Mechanical	
Dimensions	ø 134 x 117 mm (5.3 x 4.6 in)
Weight	1 kg (2.2 lbs)
Color	RAL 9003 (Signal white)
Built-in IR illuminator	
- Working distance	Up to 35 m
- Wavelength	850 nm
- Number of LEDs	6
Ingress protection	IP66
Impact rating	IK10
Ordering information	
FD822V2IR	Network fixed dome, 2.8-12 mm varifocal, 2 MP, H.264/MJPEG, IR, WDR, IP66
TA01/FD	Tube adapter/pendant mount for FD8xx
WM01A	Wall mount bracket
CM02	Ceiling Mount, Straight Tube, 50cm
WM19FD/FD	Wall mount for FD8xx
DC21C-R	Dome cover, rain wash, for FD8xx
CM13/FD	Flush mount kit for FD8xx

FD822V2IR

Technical specifications

Accessories

TA01/FD



Tube adapter/pendant mount for FD8xx

WM01A



Wall Mount Bracket

CM02



Ceiling Mount, Straight Tube, 50cm

WM19/FD



Wall Mount for FD8xx

DC21C-R



Rain-Wash-Vandal Resistant Clear Dome Cover

CM13/FD

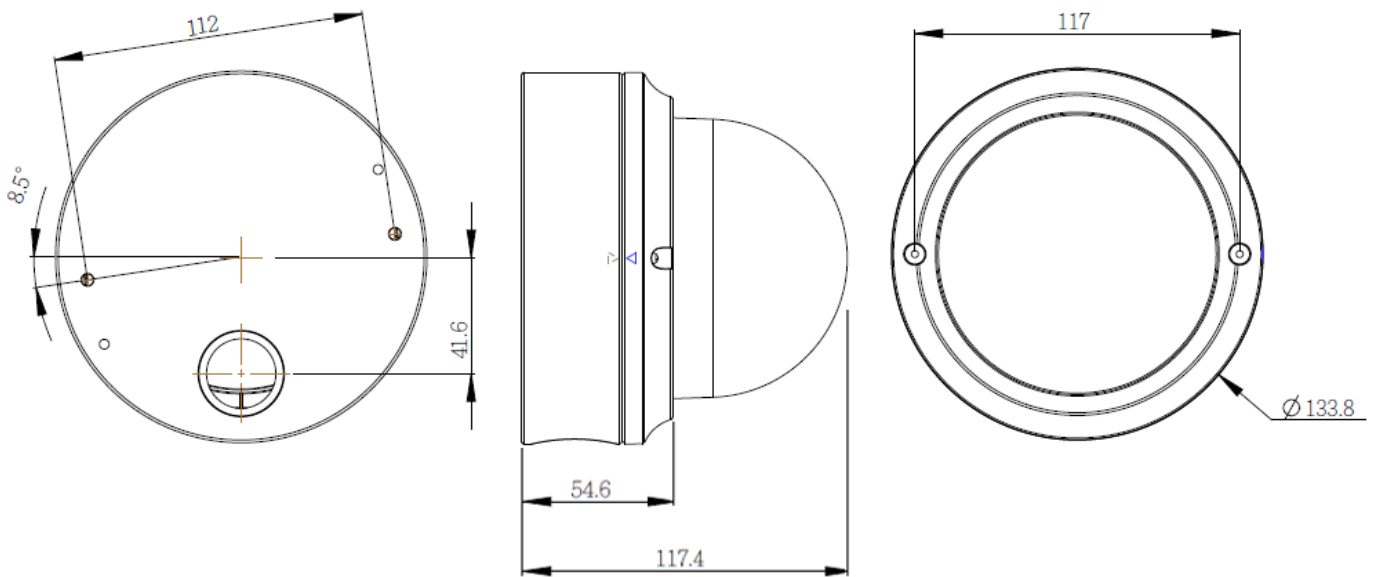


Flush-Mount Adapter

FD822V2IR

Technical specifications

Dimensions



The quality management system used in the development, production, sales, and support of this product is ISO 9001 certified by LRQA.

© Siquira B.V. 2017 - Version 1.2 - Subject to modification.



SECURITY SOLUTIONS