

FD1004M1-EI

4 MP IP Outdoor fixed dome camera with IR

- ✓ 1/3" Progressive scan CMOS
- ✓ 2.8 -12 mm motorised lens
- ✓ 4MP @ 20 fps (2688 x 1520)
- ✓ 2MP @ 25/30 fps frame rate
- ✓ Dual stream H.264/H.264 or H.264/MJPEG
- ✓ Line crossing and intrusion detection
- ✓ 3D DNR
- ✓ 120 dB WDR
- ✓ Support 128 GB onboard storage
- ✓ IP66 / IK10
- ✓ 12 Vdc / 802.3af PoE



Description

The FD1004M1-EI is able to capture high-quality coloured images. The camera offers 4 megapixel resolution with reduced frame rate or full-HD resolution with a frame rate up to 30 fps.

Multistream high definition

FD1004M1-EI cameras have dual-stream capability for simultaneous streaming of H.264/H.264 or H.264/MJPEG. Multiple combinations of resolution and frame rate can be configured to satisfy different live viewing and recording scenarios.

ONVIF

The FD1004M1-EI fully supports the international ONVIF standard, providing standardised access and integration with ONVIF-compliant video management systems.

Smart Codec

Smart Codec functions include Smart Recording with dual VCA, low bit rate and low latency modes, ROI enhancement, multistreaming, Rotate mode, and Edge Recording.

Privacy masks

Privacy masks cover sections of the image. This feature is often requested for such situations as city centre surveillance and point of sale keypads.

Day/night

Under poor lighting conditions, the FD1004M1-EI automatically becomes infrared sensitive by removing the IR-cut filter. This feature ensures that even in minimal light, the camera still produces clear images. To further enhance the picture, the camera comes as standard with IR LEDs.

Wide dynamic range

In situations where the observed object is unclear due to being under- or overlit (such as in a hallway entrance with many windows), wide dynamic range solves the problem of overlit images by taking the best of two pictures with different light references.

Power source choices

The FD1004M1-EI can be powered by 12 Vdc (DC jack) or over the network with 802.3af-compliant PoE sources.






FD1004M1-EI

Technical Specifications

Camera	
Image sensor	1/3" Progressive scan CMOS
Minimum scene illumination	0.1 lux colour; 0.01 lux (b/w); 0 lux with IR
Shutter speed	1/3 s to 1/10,000 s
Slow shutter	Support
Lens	Motorised lens, 2.8 to 12 mm, F1.4
Horizontal field of view	91.2° - 28.3°
Auto iris	DC drive
Day/Night	IR-cut filter removable (ICR)
IR illuminator	24 pcs, 850 nm
IR Distance	Up to 30 m
Wide Dynamic Range	120 dB
Image enhancement	BLC / 3D DNR / ROI
Image setting	Rotation mode, Saturation, Brightness, Contrast, and Sharpness adjustable by client software or web browser
Distortion correction	Support
White Balance	Manual, AWB1, AWB2, Locked WB, Fluorescent lamp, Incandescent lamp, Warm light, Natural light
Video	
Compression algorithm(s)	H.264/MJPEG/H.264i
H.264 Type	Main Profile
Video bit rate	32 Kbps - 16 Mbps
Max. resolution	2688 x 1520
Frame rate	20 fps (2688 x 1520), 25/30 fps (1920 x 1080, 1280 x 720)
Reverse	Normal, Flip, Mirror, Vertical Mode, 180°
Video Text Overlay	Text string (28 character), Subtitle (1 lines @ 44 character)
Video Streaming	Dual stream: H.264 + H.264 or H.264 + MJPEG
Audio	
Audio interface	1-ch 3.5 mm Audio in (Mic in/Line in) / Audio out
Audio I/O	Support dual audio track, stereo
Audio compression	G.711/G.722.1/G.726/MP2L2
Audio bit rate	64 Kbps (G.711) / 16 Kbps (G.722.1) / 16 Kbps (G.726) / 32-128 Kbps (MP2L2)
Environment noise filtering	Support
Intelligent feature set	
Line Crossing Detection	Cross a predefined virtual line
Intrusion Detection	Enter and loiter in a predefined virtual area
Motion detection	8 user-defined, rectangle masking; adjustable detection level, sensitivity, time interval
Tampering alarm	On / off / by schedule
Storage	
Onboard storage	Built-in Micro SD/SDHC/SDXC slot, up to 128 GB
Network storage	NAS

FD1004M1-EI

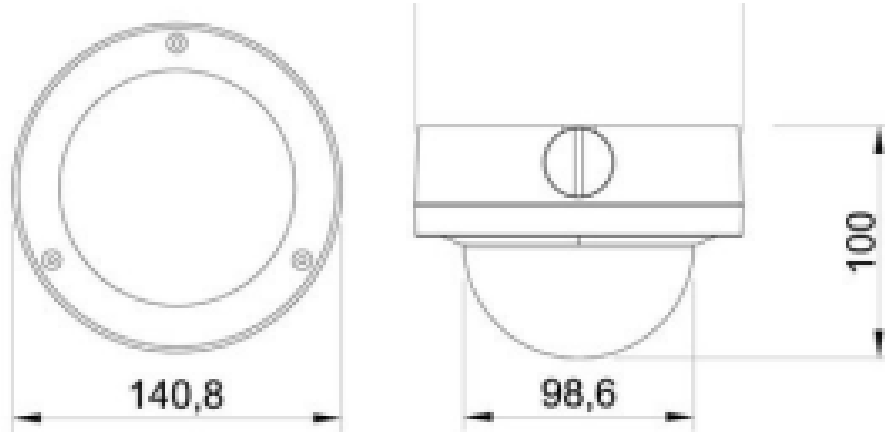
Technical Specifications

Network		
Interface(s)	10/100 Ethernet port (RJ-45)	
Protocols	TCP/IP, UDP, ICMP, HTTP, HTTPS, FTP, DHCP, DNS, DDNS, RTP, RTSP, RTCP, PPPoE, NTP, UPnP, SMTP, SNMP, IGMP, 802.1X, QoS, IPv6, Bonjour	
Standards	ONVIF (Profile S, Profile G), PSIA, CGI, ISAPI	
Security	User authentication, Watermark, IP address filtering, Anonymous access	
Powering		
Power consumption	Max. 5.5 W	
Power supply	12 Vdc / 802.3af PoE	
Environmental		
Operating temperature	-30 °C to +60 °C (-22 °F to +140 °F)	
Relative humidity	95% or less (no condensation)	
Ingress protection rating	IP66	
Mechanical		
Dimensions (h x w x d)	Φ140 x 100 mm (Φ5.5 × 3.9 in)	
Weight	1.0 kg (2.2 lbs)	
Reset button	Yes	
Impact rating	IK10	
Alarm	1 Alarm I/O	
Ordering information		
FD1004M1-EI	4MP IP Outdoor fixed dome camera with IR	
Accessories		
JB05		Junction box
WM15		Wall mount
WM15B		Wall mount
PM06		Pole mount
WM14		Corner mount

FD1004M1-EI

Technical Specifications

Dimensions



The quality management system used in the development, production, sales, and support of this product is ISO 9001 certified by LRQA.

© Siquira B.V. 2017 - Version 1.2 - Subject to modification.



**SECURITY
SOLUTIONS**