



## HDC-2080Z03 D

Article number: 211421

1/3" HD-SDI Camera, WDR, Day&Night, 1920x1080, 3x AF Zoom, 3-9mm, 12/24V

### Mainfeatures

1/3" 2.0 MP progressive scan CMOS sensor

1.5G HD-SDI video transmission via coax

Optical 3x auto focus zoom, 32x digital

Removable infrared cut filter

3D-DNR noise reduction, Defog function

Zoom on defined ROI on motion

Resolution max. 1920x1080 (Full HD)

EX-SDI (270Mbps) Advanced HD signal range

3~9mm day&night lens

Real time WDR (Wide Dynamic Range) 25/30fps

Integral motion detection

External input for day/night switching

### Specifications

#### Camera:

Sensor size	1/3"
Resolution pixels	1920x1080\$
Imager	CMOS, Panasonic, MN34229PLI, 2MP Sensor
System	True Day&Night
Sensitivity	0,35 Lux, at F1.2, 40IRE
Low speed shutter	yes, 2x ~ 8x
Manual electronic shutter (MES)	1/25~1/60000sec.
Wide Dynamic Range (WDR)	WDR 113dB, D-WDR, Real Time WDR 25/30fps
Flickerless function	yes
Backlight compensation	BLC, HLC
IR cut filter	switchable

# HDC-2080Z03 D

## Continued Specifications

Automatic electronic shutter (ESC)	1/25~1/60000sec.
White balance	ATW, one push, manual
Signal-to-noise ratio	-50 db
<b>Video:</b>	
Signal format	HD-SDI (1.485 Gbps), EX-SDI (270 Mbps)
Resolution	1920x1080 (16:9), 1280x720 (16:9)
Frame rate	1080 @ 25/30p, 720 @ 25/30p
<b>Lens:</b>	
Lens type	auto focus zoom
Focal length	3 - 9 mm
Digital zoom	2x ~ 32x
MOD (Minimum object distance)	1 m
Aperture range (F)	F1.2~F2.1
Filter screw size	not available
Horizontal angle of view	106 - 36 °
Active picture elements	1944(H) x 1092(V)
<b>Features:</b>	
Motion detector	yes
Analysis functions	activity detection
e-PTZ support	no
OSD function control	AGC, motion detection, DNR, shutter control, day&night, privacy zones, white balance
Menu languages	English, Japanese, German, French, Italian, Spanish, Polish
Privacy zones masking	ON/OFF switchable
Mirror function	V flip, H-flip, H/V flip
Digital Noise Reduction (DNR)	2D-DNR, 3D-DNR
<b>Interfaces / Inputs / Outputs:</b>	
Video outputs	EX-SDI, HD-SDI, composite (CVBS)
External connections	RS-485, voltage input, HD-Signal BNC output, external day&night switching
Alarm inputs	no
Alarm outputs	no
Serial interfaces	RS-485
Serial interfaces protocols	Pelco D
<b>General:</b>	
Series	eneo Candid Box
Dimensions (HxWxD)	72x74x89mm
Illumination	no
Colour (housing)	Pantone 7541
Housing material	aluminium
Weight	340g
Integrated wall mount	no
Power consumption	3W
Window heater	no

## HDC-2080Z03 D

### Continued Specifications

Protection rating	n/a
Supply voltage	(+/-15%) 50Hz, 12VDC, 24VAC
Supply voltage	12VDC, 24VAC
Temperature range (operation)	-10°C ~ +50°C
Text display	camera title
Vandalism resistant	no
<b>Scope of delivery:</b>	
Parts supplied	manual

### Special features

Pointing Zoom -- enables the flexible zooming at any area



Smart Motion Zoom--Zoom on defined ROI on motion

Preset Zoom (4 adjustable positions)

COLOR D / N Fixed color mode, optimized for applications with white light illumination

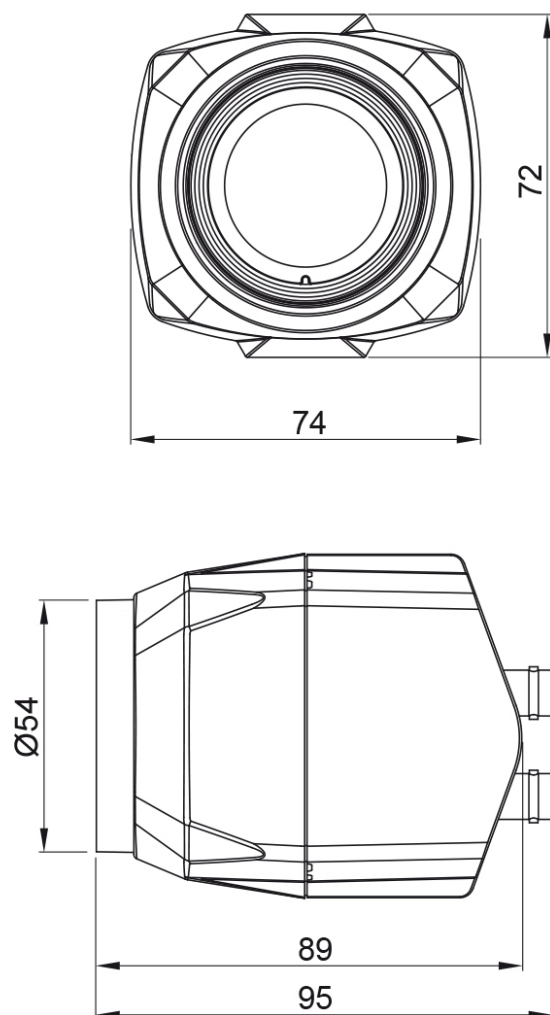
# HDC-2080Z03 D

## Available Accessories

Image	Prod. No / Label	Description
	200817 / HDA-1004D	Distributor HD-SDI, 1 x HD-SDI Input, 4 x HD-SDI Outputs
	203658 / VT-PS12DC-11	Plug-in Power Supply Unit, 100-240VAC/12VDC (1.0A), Regulated, with DC Plug
	70688 / WD-18	Wall Mount with Ball Joint, 1/4" Camera Fixing Screw, beige Grey
	70769 / WD-22	Wall Mount Bracket with Ball Joint, 1/4" Camera Fixing Screw, Beige Grey
	70835 / WD-12-WA	Wall Mount with Ball Joint, 1/4" Camera Fixing Screw, 140mm, RAL9006
	210224 / HDA-2002EC	Extender/Converter 1 x HD-SDI Input, 1 x HDMI Output
	211257 / HDA-3000E	HD Extender, HD-SDI, EX-SDI, 12V
	214403 / HAM-4DC1004M0A	Distributor HD-SDI, 1x HD-SDI Input, 4x HD-SDI Output

# HDC-2080Z03 D

## Technical Drawing



Maße/Dimensions: mm

## Your Contact Person



eneo is a registered trademark of  
VIDEOR E. Hartig GmbH  
Carl-Zeiss-Straße 8  
63322 Rödermark  
Deutschland  
Tel.: +49 6074-888-333  
E-Mail: [info@eneo-security.com](mailto:info@eneo-security.com)  
Web: [www.eneo-security.com](http://www.eneo-security.com)