



HDB-2080M2810IR D

Article number: 211416

1/3" HD-SDI Camera, 3D-DNR, Day&Night, 1920x1080, 2.8-10mm RS-485, infrared, 12/24V

Mainfeatures

1/3" 2.0 MP Progressive Scan CMOS sensor

1.5G HD-SDI video transmission via coaxial cable

2.8~10mm day&night lens, Removable IR-cut filter

3D-DNR Noise Reduction, Defog function

Integrated motion detection

IR illumination switchable via OSD menu

Resolution max. 1920x1080 (Full HD)

EX-SDI (270Mbps) Advanced HD signal range

Real time WDR (Wide Dynamic Range) 25/30fps

Adaptive private zones

IP67, Built in fan, Heater

Easy installation, central locking screw

Specifications

Camera:	
Sensor size	1/3"
Resolution pixels	1920x1080\$
Imager	CMOS, Panasonic, MN34229PLI, 2MP Sensor
System	True Day&Night
Sensitivity	0,07 Lux, at F1.4, 40IRE
Low speed shutter	yes, 2x ~ 32x
Manual electronic shutter (MES)	1/25~1/60000sec.
Wide Dynamic Range (WDR)	WDR 113dB, D-WDR, Real Time WDR 25/30fps
Flickerless function	yes
Backlight compensation	BLC, HLC
IR cut filter	switchable

HDB-2080M2810IR D

Continued Specifications

Automatic electronic shutter (ESC)	1/25~1/60000sec.
White balance	ATW, ATW extended, one push, manual
Signal-to-noise ratio	-50 db
Video:	
Signal format	HD-SDI (1.485 Gbps), EX-SDI (270 Mbps)
Resolution	1920x1080 (16:9), 1280x720 (16:9)
Frame rate	1080 @ 25/30p, 720 @ 25/30p
Lens:	
Lens type	varifocal
Focal length	2,8 - 10 mm
Digital zoom	1,1~8x
MOD (Minimum object distance)	0,5 m
Aperture range (F)	F1.4
Iris control	DC
Filter screw size	not available
Vertical angle of view	46 - 18 °
Horizontal angle of view	89 - 30 °
Active picture elements	1944(H) x 1092(V)
Features:	
Motion detector	yes
Dynamic Light Intensity Control (DIC)	no
e-PTZ support	no
OSD function control	AGC, motion detection, DNR, brightness, sharpness, shutter control, H/V flip (mirror picture), Rotation, day&night, privacy zones, white balance
Menu languages	English, German, French, Spanish, Italian, Polish, Japanese, Turkish
Privacy zones masking	ON/OFF switchable
Mirror function	V flip, H-flip, H/V flip
Digital Noise Reduction (DNR)	2D-DNR, 3D-DNR
Interfaces / Inputs / Outputs:	
Video outputs	EX-SDI, Composite (SUB- OUT)
External connections	RS-485, voltage input, HD-Signal BNC output
Alarm inputs	no
Alarm outputs	no
Serial interfaces	RS-485
Serial interfaces protocols	Pelco D, Pelco P
General:	
Series	eneo Candid Medium
Dimensions (HxWxD)	100x107,8x277mm
Illumination	infrared, 40x IR-LEDs 850nm, 60°
Illumination range	approx. 50m
Colour (housing)	Pantone Cool Gray 1C
Housing	outdoor
Housing material	aluminium

HDB-2080M2810IR D

Continued Specifications

Weight	1.35kg
Integrated wall mount	yes
Power consumption	7.0W
Mounting	wall mount, ceiling mount
Window heater	yes
Protection rating	IP67
Hidden cable management	yes
Sunshield	yes
Supply voltage	(+/-15%) 50Hz, 12VDC(11VDC-30VDC), 24VAC, 12VDC
Supply voltage	12VDC(11VDC-30VDC), 24VAC, 12VDC
Temperature range (operation)	-50°C ~ +50°C
Temperature range (heater deactivated)	-20°C ~ +50°C
Text display	camera title
Vandalism resistant	no
Scope of delivery:	
Parts supplied	manual, mounting plate, screw set, allen key, Video sub-out cable
Notes:	
Remarks	Operating temperature range of the camera changes when IR illumination is switched OFF

Special features

SRIC (Signal Related IR Control)

IR illumination ON / OFF switchable(OSD Menu)

Smart Motion Zoom--Zoom on defined ROI on motion

Pointing Zoom -- enables the flexible zooming at any area

Exact focus setting aid









Preset Zoom (4 adjustable positions)

Flex zoom, electronic PTZ control

COLOR D / N Fixed color mode, optimized for applications with white light illumination

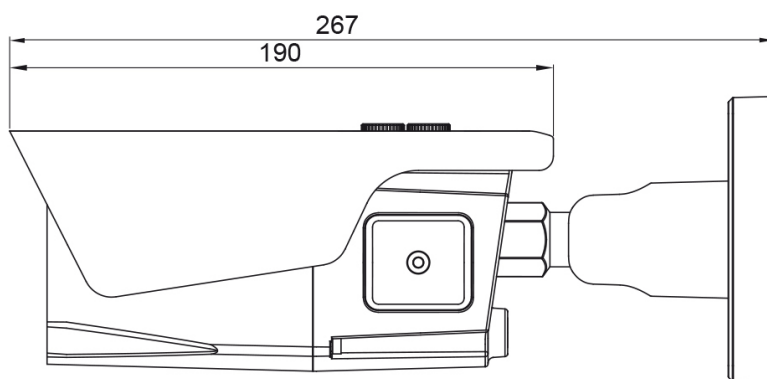
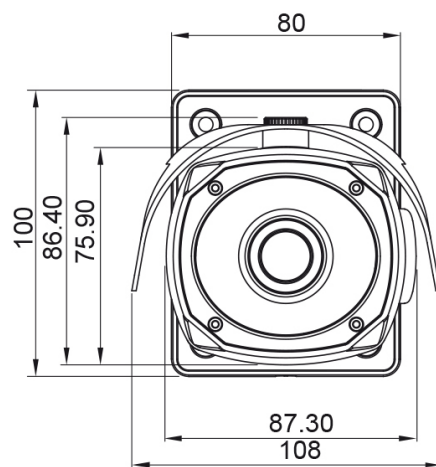
HDB-2080M2810IR D

Available Accessories

Image	Prod. No / Label	Description
	200817 / HDA-1004D	Distributor HD-SDI, 1 x HD-SDI Input, 4 x HD-SDI Outputs
	202641 / PM-42A	Pole mount adaptor for eneo Candid, Candid S, Candid M, Candid L, W3, WB1, AK-5, AK-4
	202888 / AK-4	Camera junction box, for Candid Small ,Candid Medium, Candid Large Series
	203658 / VT-PS12DC-11	Plug-in Power Supply Unit, 100-240VAC/12VDC (1.0A), Regulated, with DC Plug
	70527 / NE-132/AC24V	Power Supply Unit 230VAC/24VAC (1.0A)
	210224 / HDA-2002EC	Extender/Converter 1 x HD-SDI Input, 1 x HDMI Output
	211257 / HDA-3000E	HD Extender, HD-SDI, EX-SDI, 12V
	214403 / HAM-4DC1004M0A	Distributor HD-SDI, 1x HD-SDI Input, 4x HD-SDI Output

HDB-2080M2810IR D

Technical Drawing



Maße/Dimensions: mm

Your Contact Person



eneo is a registered trademark of
VIDEOR E. Hartig GmbH
Carl-Zeiss-Straße 8
63322 Rödermark
Deutschland
Tel.: +49 6074-888-333
E-Mail: info@eneo-security.com
Web: www.eneo-security.com