

PM-6S

Article number: 79592

Pole Mount Adapter for 1 Wall Mount, (50-140mm Pole), RAL9002

Mainfeatures

For pole mounting

For housing series: VTL and VTL/WW

Ready for installation

Fixing for wall brackets WD-5/MK or WD-7/MK

Rugged construction

Specifications

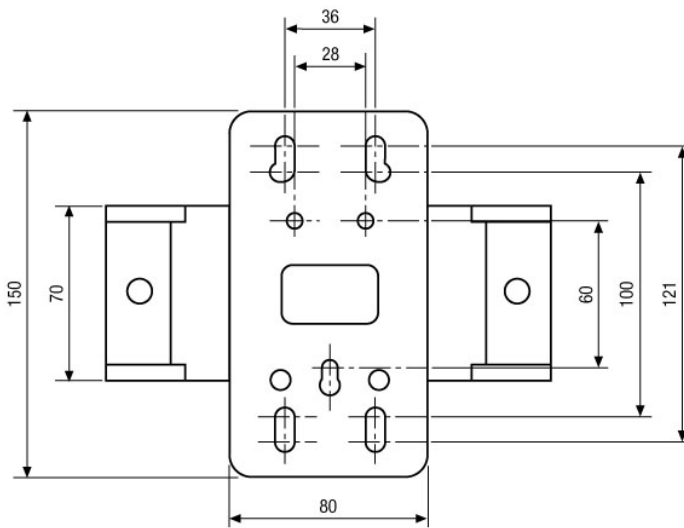
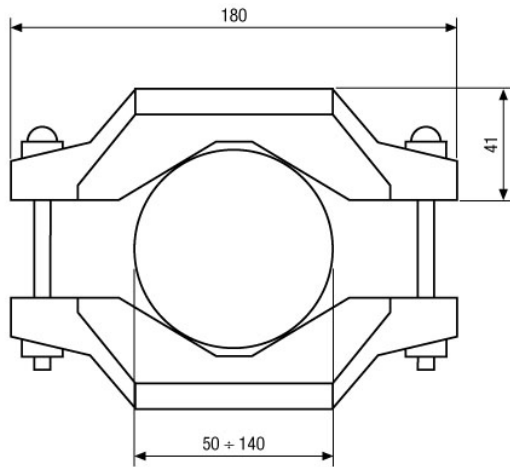
Dimensions (HxWxD)	see drawing
Colour	RAL9002
Load capacity	10kg
Material	Di-cast aluminium
Categorie	Mounting

More product information

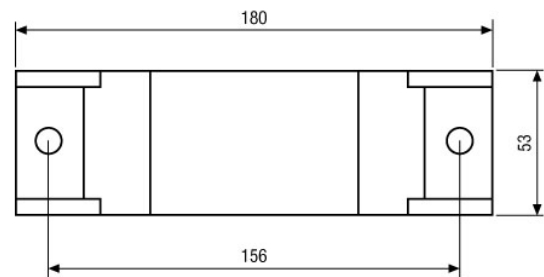
*) Fitted for the wall brackets WD-5/MK, WD-7/MK and WD-31/MK as well (Attention: partwise different finish)

PM-6S

Technical Drawing



Montageplatte
Bracket holder



Gegenplatte
Locking plate

Maße/Dimensions: mm

Your Contact Person



eneo is a registered trademark of
VIDEOR E. Hartig GmbH
Carl-Zeiss-Straße 8
63322 Rödermark
Deutschland
Tel.: +49 6074-888-333
E-Mail: info@eneo-security.com
Web: www.eneo-security.com