

EDC-CMA2

Article number: 74054

Corner Mount Adapter for EDC-IPx1/OPx1 Housings
and Wall Bracket EDC/WMB1

Mainfeatures

For corner mounting

Rugged aluminium construction

Ready for installation

Preferable for wall brackets EDC-WMB

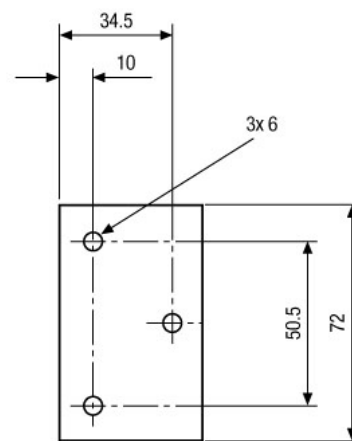
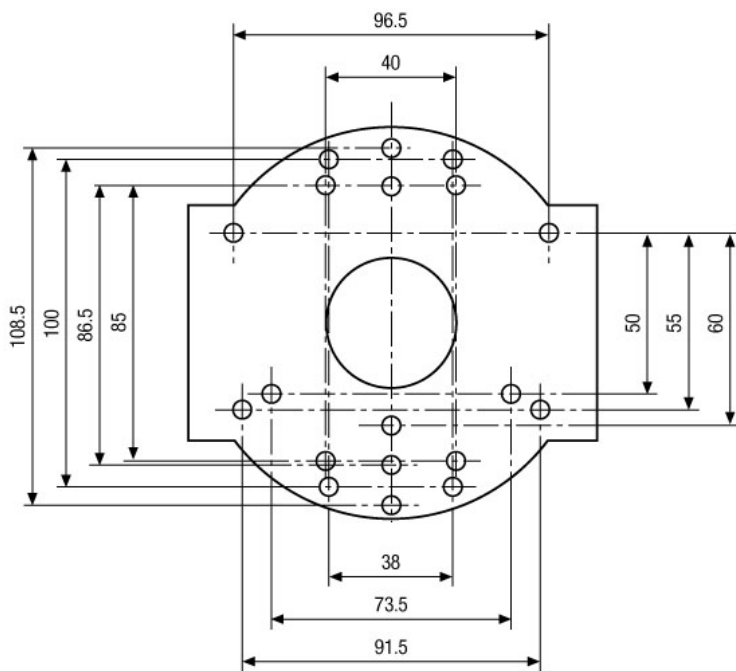
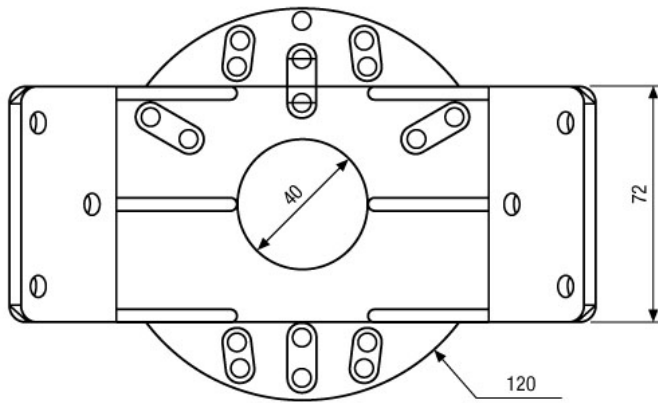
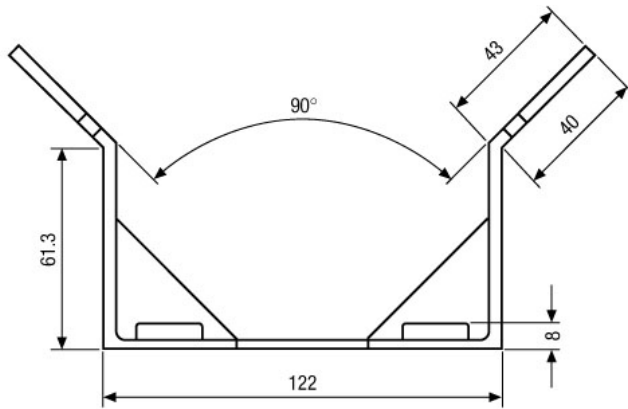
Colour: Pantone Cool Gray 1C

Specifications

Category	Mounting
----------	----------

EDC-CMA2

Technical Drawing



Maße/Dimensions: mm

Your Contact Person



eneo is a registered trademark of
VIDEOR E. Hartig GmbH
Carl-Zeiss-Straße 8
63322 Rödermark
Deutschland
Tel.: +49 6074-888-333
E-Mail: info@eneo-security.com
Web: www.eneo-security.com