



EDC-CMT1

Article number: 74128

Ceiling Mount Tube with Flange Plate for PTZ Dome Cameras

Mainfeatures

For ceiling mounting of PTZ dome cameras

Rugged steel tube with flange plate

Hidden cable harness

Ready for installation

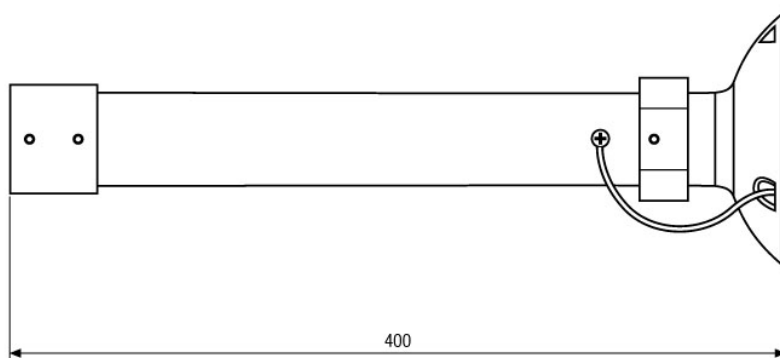
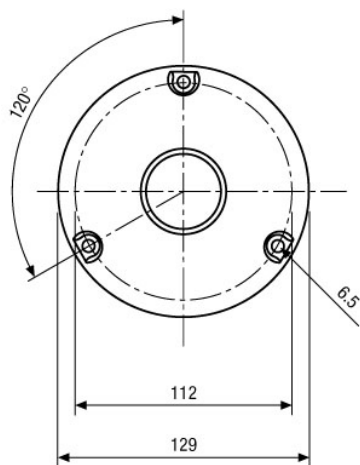
Specifications

Categorie

Mounting

EDC-CMT1

Technical Drawing



Maße/Dimensions: mm

Your Contact Person



eneo is a registered trademark of
VIDEOR E. Hartig GmbH
Carl-Zeiss-Straße 8
63322 Rödermark
Deutschland
Tel.: +49 6074-888-333
E-Mail: info@eneo-security.com
Web: www.eneo-security.com