



SC-HD04M transmits 4 video signals from camera to HD-SDI or HDMI output through a single output port with various display modes. By detecting the motion of the video, it automatically displays Full (1Ch motion detecting), Dual (2Ch motion detecting), and Quad (more than 3Ch) screen. This device is a cost-effective solution because of using a single port of HD-SDI DVR. It is possible to connect for 4 HD-SDI cameras. It'll be able to apply to the security system such as the subway and parking lots. This device is used simple HD-SDI Quad.

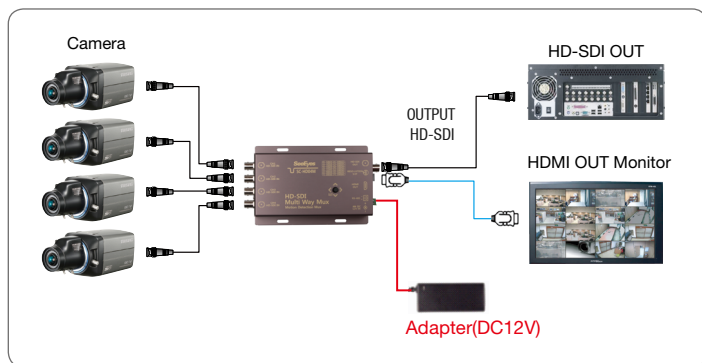
Features

- 4 HD-SDI signal input / 1 HD-SDI, HDMI output (Cost-effective solution)
- Detects the motion of the video.
- Easy to install and minimize space
- Display mode: Full screen, 2 split, 4 split, Auto Sequence
- Enable setting of video output resolution
[HD-SDI / 1280x720p(25,30,50,59.94,60)/1920x1080i(50,59.94,60)]
[HDMI / 1920x1080p(23.98,24,25,29.97,30,50,59.94,60)]
- Support RS-485
- Support OSD (On Screen Display)

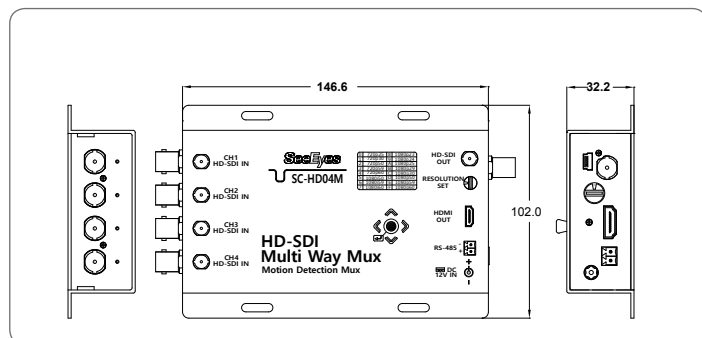
Specifications

MODEL		SC-HD04M	
Video	INPUT	HD-SDI(4ch) 1280x720p(25/30/50/59.94/60) 1920x1080i(50/59.94/60) 1920x1080p(23.98/24/25/29.97/30/50/59.94/60)	
	OUTPUT	HD-SDI	1280x720p(25/30/50/59.94/60) 1920x1080i(50/59.94/60) 1920x1080p(23.98/24/25/29.97/30/50/59.94/60)
		HDMI	1280x720p(50/59.94/60) 1920x1080i(50/59.94/60) 1920x1080p(23.98/24/25/29.97/30/50/59.94/60)
	Split Mode	FULL (1ch, 2ch, 3ch, 4ch), DUAL, QUAD	
	OSD(On Screen Display)	Inserting up to 16 characters	
Power In	DC 12V / 1A		
Power Consumption	12V / 0.44A		
Max. Distance	1920x1080 60p: Within 100m (RG-6/U) 1920x1080 60i,30p: Within 150m (RG-59/U)		
Temperature / Humidity	0°C ~ +50°C / 0 ~ 80%		
Case body / Weight	Aluminum / 305g		
Dimensions(mm)	146.6(W) X 102(H) X 32.2(D)		

Connection Diagram



Dimensions



[SC-HD04M]

NEW



Actual Application



■ 16CH DVR
Max.64ch Input



■ 1 DVR CH / 4 Input
■ Live / 4CH Splits



■ 1CH Motion Detection



■ 2CH Motion Detection
2 Screen split mode



■ Over 3CH Motion Detection
4 Screen split mode