

SeeEyes® Series [SC-HDR0801S/HDR01S]

HD-SDI to HDMI Converter



SC-HDR0801/HDR01S are mini converters designed to convert HD-SDI to HDMI and extend distance range with the choice to set video output resolution. SC-HDR0801S converter features Power over Coax function which enables signals and power transmission over coaxial cable, so it is not necessary to feed camera separately. It is more economical solution in comparison to other transmission methods

Features

- HD-SDI to HDMI Conversion
- Power over Coax function (SC-HDR0801S)
- Enabling setting of the video output resolution
Ex) Input: 1080p30 >> Output: 1080p60
- Long distance transmission up to 150m(Full HD: 1.5G) with RG-59/U and 100m(Full HD: 3G) with RG-6/U
- Surge protection function
- Built-in repeater function

SC-HDR01S Interface



HD Signal Standards

Full HD 1.5G	Full HD 3G
1280 x 720p, 59.94Hz/60Hz	1920 x 1080p, 59.94 / 60Hz
1280 x 720p, 50Hz 1920 x 1080i, 50Hz / 60Hz	1920 x 1080p, 50Hz
1920 x 1080p, 29.97Hz/30Hz 1920 x 1080i, 60Hz	

Specifications

MODEL	SC-HDR0801S	SC-HDR01S		
Video In	HD-SDI(SMPTE292/1.5G, SMPTE424/3G) 1920x1080p 60/50, 1920x1080p 30/25, 1920x1080i 60/50, 1280x720p 60/50/30/25			
Video Out	HDMI 1.3, HDCP 1.2, DVI 1.0 Compliant HD-SDI (When using Buffered Output Repeater)			
HDMI Out Setup (Rotary DIP Switch)	SW NO.	OUTPUT	SW NO.	OUTPUT
	0	1280x720p 60	4	1920x1080p 30
	1	1280x720p 50	5	1920x1080p 25
	2	1920x1080i 60	6	1920x1080p 60
	3	1920x1080i 50	7	1920x1080p 50
	1	2	48V OUTPUT	
	-	OFF	OFF (Block)	
	-	ON	ON (Supplying)	
Connection Port	HD-SDI In / Out	BNC-F_75Ω		
	HDMI Out	HDMI A Type		
	Power In	2PIN Terminal Block		
LED	SDI	Green	ON: Normal	
	HDMI	Yellow	ON : LINK	
Input Power	DC12V ~48V	DC 12V		
Power Consumption	MAX 2.6W(Converter Only)			
Temperature / Humidity	-10°C ~ +50°C / 0 ~ 80%			
Case body / Weight	Aluminum / 220g			
Dimensions(mm)	93(W) x 93(H) x 35(D)			

[SC-HDR0801S]



[DC48V Adaptor]



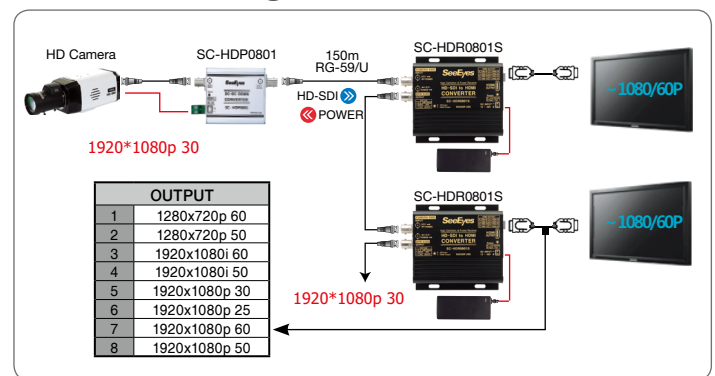
[SC-HDR01S]



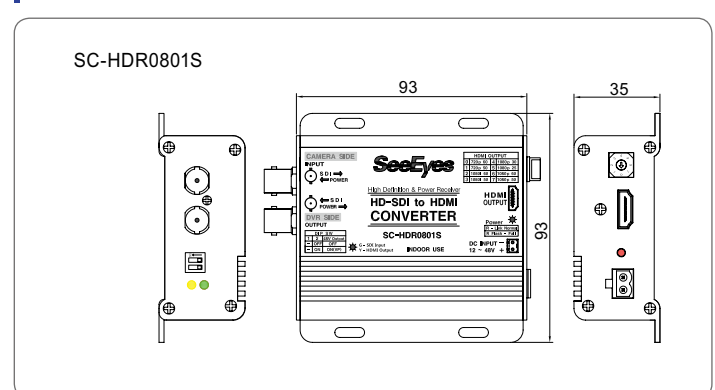
[DC12V Adaptor]



Connection Diagram



Dimensions



HD-SDI Transmission