

GCH-K0326D

2 Megapixel Full HD CMOS Fixed Dome HD-SDI Camera IR 28 LED



- Full HD, 1920 x 1080p, 25/30 fps over coax
- 0 Lux: Integrated LED IR Illuminator
- Smart IR Control with adjustable level
- Wall mounting
- Power Input AC24V/DC12V

SUMMARY

Based on the Television Standard for FullHD Television, HD-SDI products feature up to 2 Megapixel (1920x1080) pictures in real-time (30fps) transmitted over coax cabling.

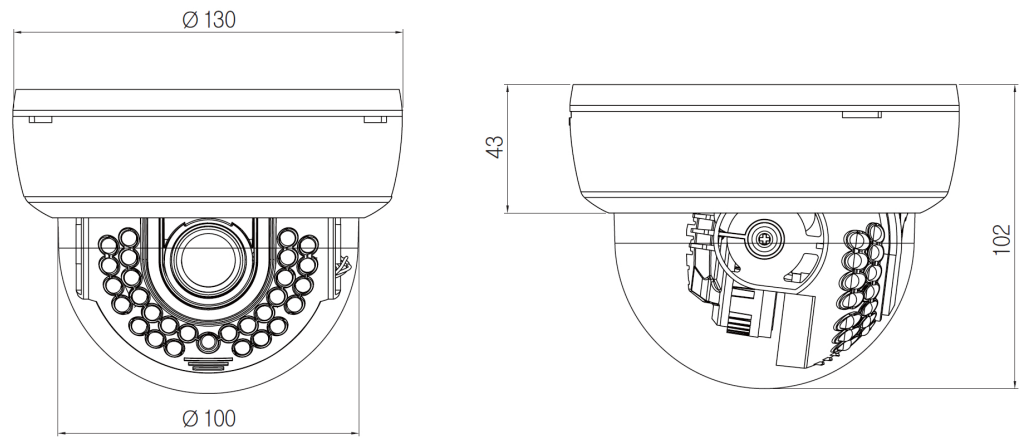
Get the advantages of IP technology without their drawbacks. Get 16:9 megapixel pictures without network configuration, bandwidth problems and network security risks. Use existing coax cables and only exchange the cameras and recorders. Get a "real" live picture and see the things that happen in the now, not a few seconds ago. Connect a monitor directly to a camera using only a HD-SDI-to-HDMI converter.

HD-SDI products are easy to handle, easy to install and produce amazing high quality pictures.

SPECIFICATIONS

Image Sensor	1/2.8" CMOS Sony Exmor, 2.4 Megapixel
Pixels - Total	2000(H) x 1121(V)
Pixels - Effective	1984(H) x 1105(V), 2.19M pixels
Scanning System	Progressive
Image Size	1920x1080
Frame Rate	30, 25 fps at 1080p
Sensitivity Colour	0.5 Lux @ F1.2 (IRE50)
Sensitivity B&W	0 Lux LED IR on
Sens Up	Off ~ x64
S/N Ratio	50 dB
Video Outputs	1 Ch HD-SDI BNC or 1 Ch Composite BNC
Focal Length	2.8 ~ 10 mm
Lens Drive Type	DC Auto Iris
IR LED	28 pcs.
High Speed Shutter	1/25 ~ 1/60.000 sec
Shutter Mode	Auto / Fix
Col/B&W	On/Off/Auto/Ext, IR-cut filter removable (ICR)
OSD	Yes
Number of Privacy Zones	32
BLC	WDR / BLC / HLC / OFF
Digital Noise Reduction (DNR)	Off/Low/Mid/High (Adaptive 3D + 2D)
Motion Detection	On/ Off/ Sensitivity/ Area setting
White Balance	ATW, AWB, Manual, Preset
Operating Temperature	0°C ~ +50°C
Storage Temperature	-20°C ~ +60°C
Humidity	less than 85%
Supply Voltage	12 VDC/24 VAC
Power Consumption	6 W
Weight	0.6 kg
Dimensions w*h*d	Ø130 x 102 mm

DIMENSIONS



ACCESSORIES



GBR-WA05
Wall bracket for GCH-KxxxxD series