

## 2.2Mega pixel HD-SDI Vandal-dome Smart IR camera



### SPECIFICATIONS

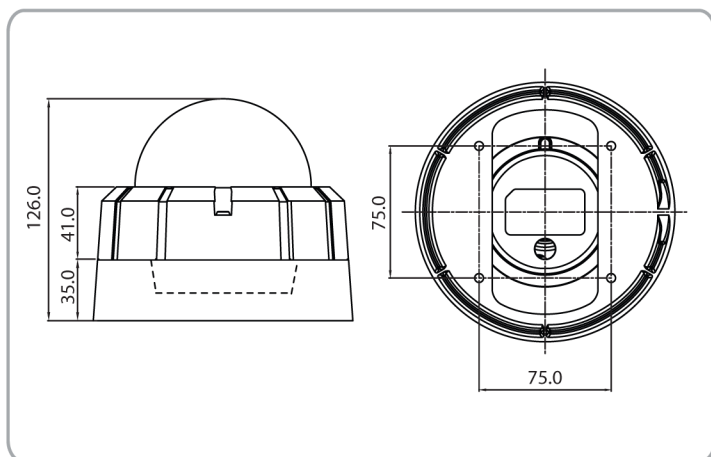
MODEL	VCD-2032R-HD
Image Sensor	1/3" Panasonic CMOS
Total Pixels	2010(H) x 1108(V) = 2,227,080 (pixel)
Active pixels	1944(H) x 1092(V) = 2,122,848 (pixel)
Scanning system	Progressive
Resolution	Digital ; 1920x1080p(1080p/30fps) , 1280x720p(720p/60fps) Analog : 700TVL
Min. illumination	Color: 1.0 lux, BW : 0.5lux, Color DSS : 0.002 lux , BW DSS : 0.001 lux
Video Output	HD-SDI, Analog : NTSC, PAL(without WDR)
S/N Ratio	more than 50dB (AGC off)
BRIGHTNESS	0 ~ 20 steps
LENS	DC / Manual
SHUTTER SPEED	Auto / Manual ( 1/30(1/25) ~ 1/60000 )
DSS	Off / x2 / x3 / x4
AGC	Off / On
WDR/BLC	Off / WDR / BLC
DAY&NIGHT	Auto / Day / Night / Ext
SMART IR	Off / On
WHITE BALANCE	Auto / Preset / Manual / Indoor / Outdoor
SHARPNESS	0 ~ 10 steps
MIRROR	Off / H / V / H&V
FREEZE	Off / On
E.ZOOM	x1 ~ x32
HLC	Off / On
ACE	Off / On
DNR	Off / Low / Middle / High / Auto
D.COMPRESS	OFF / ON
PRIVACY	Off / On (32 points)
MOTION	Off / On (4 points)
SHADING DET	Off / On
SHADING	Off / On
DEFECT DET	Off / On
DEFOG	Off / On
SYSTEM	NTSC / PAL
HD FORMAT	1080P / 720P
PG(Pattern Generator)	Off / On
CVBS	Off / On
COMMUNICATION	ID (1 ~ 255) BAUDRATE ( 2400 / 4800 / 9600 / 19200 / 38400 / 57600/115200 ) PROTOCOL (PELCO-P / PELCO-D / UPDATE)
DEFAULT	ON / DONE
Language	English
OSD Text	0 ~ 9 , A ~ Z , a ~ z
Power Source	DC12V±10%
Power Consumption	250mA
Power Input	DC JACK
Video Output(HD-SDI)	BNC Connector
Operating Temperature	-10 °C ~ +50 °C (Humidity : 0%RH ~ 80%RH)
Storage Temperature	-20 °C ~ +60 °C (Humidity : 0%RH ~ 90%RH)

### FEATURES

- 1/3" 2.2Mega pixel CMOS image sensor that supports both Full HD of 1080p and HD 720p (Max 1,100TV Lines, OSD selectable)
- Using progressive scan and Auto WDR
- Supports DSS(Digital Slow Shutter) and 3D DNR(Dynamic Noise Reduction) to enhance the performance in low-light environment
- IR LED 27pcs, IR LED Range 10~12m(32~40ft)
- Supports not only SDI output, but also analog spot-out
- Supports various white balance mode of Auto, One pushing and Manual
- Supports ACE (Advanced Contrast Enhancement)
- Supports various digital features of Mirror, Flip, Digital Zoom, Privacy Masking, Motion Detection, Sharpness control and shading
- 2.8~10mm Mega-pixel Varifocal Lens
- Supports Multi-protocol of Pelco-D/P
- Supports Smart IR Function
- IP67 Aluminum Die-casting Housing

### DIMENSIONS

Unit : mm



Design and specifications are subject to change without notice